

SKID STEER TRUSS BOOM

SSTRUSSBOOMv2

194137



Operator's Manual



Read the Operator's Manual entirely. When you see this symbol, the subsequent instructions and warnings are serious follow without exception. Your life and the lives of others depend on it!

INTRODUCTION

- This manual is made at the time of manufacturing of the SSTRUSSBOOM that does not include any subsequent modifications made afterward.
- This manual is intended to provide information to operators and owners to operate the SSTRUSSBOOM safely and effectively, as well as to perform suitable maintenance for the equipment.
- Before operating or performing maintenance of the equipment, it is critical to read, understand and be acquainted with the operating, safety, and maintenance recommendations of this manual and the manual of your skid steer, or prime mover.
- Failure in operating and maintaining the TRUSSBOOM according to the instructions and recommendations could lead to fatal accidents causing serious personal injury or death, as well as damages to your equipment.

SAFETY PRECAUTIONS



THIS SYMBOL BY ITSELF OR WITH A WARNING WORD THROUGHOUT THIS MANUAL IS USED TO CALL YOUR ATTENTION TO INSTRUCTIONS INVOLVING YOUR PERSONAL SAFETY OR THE SAFETY OF OTHERS. FAILURE TO FOLLOW THESE INSTRUCTIONS CAN RESULT IN INJURY OR DEATH.

DANGER

THIS SIGNAL WORD IS USED WHERE SERIOUS INJURY OR DEATH WILL RESULT IF THE INSTRUCTIONS ARE NOT FOLLOWED PROPERLY.

WARNING

THIS SIGNAL WORD IS USED WHERE SERIOUS INJURY OR DEATH WILL RESULT IF THE INSTRUCTIONS ARE NOT FOLLOWED PROPERLY.

CAUTION

THIS SIGNAL WORD IS USED WHERE SERIOUS INJURY OR DEATH WILL RESULT IF THE INSTRUCTIONS ARE NOT FOLLOWED PROPERLY.

NOTION

NOTICE INDICATES A PROPERTY DAMAGE MESSAGE.

GENERAL PRECAUTIONS

READ MANUAL PRIOR TO INSTALLATION

Improper installation, operation, or maintenance of this equipment could result in serious injury or death. Operators and maintenance personnel should read this manual, as well as manuals related to this equipment and the prime mover thoroughly before beginning the installation, operation, or maintenance.

FOLLOW ALL SAFETY INSTRUCTIONS IN THIS MANUAL.

KNOW YOUR EQUIPMENT

Know your equipment's capabilities, dimensions, and operations before operating. Visually inspect your equipment before your start, and never operate equipment that is not in proper working order with all safety devices intact. Check all hardware to ensure it is tight. Make certain that all locking pins, latches, and connection devices are properly installed and secured. Remove and replace any damaged, fatigued, or excessively worn parts. Know and follow good work practices when assembling, maintaining, repairing, mounting, removing, or operating this equipment.

USE CARE WITH HYDRAULIC FLUID PRESSURE

Hydraulic fluid under pressure can penetrate the skin and cause serious injury or death. Hydraulic leaks under pressure may not be visible.

- Keep unprotected body parts, such as face, eyes, and arms as far away as possible from a suspected leak. Flesh injected with hydraulic fluid may develop gangrene or other permanent disabilities.
- If injured by injected fluid, see a doctor immediately. If your doctor is not familiar with this type of injury, ask him to research it immediately to determine proper treatment.
- Wear safety glasses, protective clothing, and use a piece of cardboard or wood when searching for hydraulic leaks. **DO NOT USE YOUR HANDS!**

DO NOT MODIFY MACHINE OR ATTACHMENTS

Modifications may weaken the integrity of the attachment and may impair the function, safety, life, and performance of the attachment. When making repairs, use only the manufacturers' genuine parts, following authorized instructions. Other parts may be substandard in fit and quality.

SAFELY MAINTAIN AND REPAIR EQUIPMENT

- Do not wear loose clothing or any accessories that can catch in moving parts. If you have long hair, cover, or secure it so that it does not become entangled in the equipment.
- Work on a level surface in a well-lit area
- Use properly grounded electrical outlets and tools
- Use the correct tools for the job at hand. Make sure they are in good condition for the task required.

SAFELY OPERATE EQUIPMENT

Do not operate equipment until you are completely trained by a qualified operator in how to use the controls, know its capabilities, dimensions, and all safety requirements. See your machine's manual for these instructions.

- Keep all step plates, grab bars, pedals, and controls free of dirt, grease, and debris, and oil.
- Never allow anyone to be around the equipment when it is operating.
- Do not allow riders on the attachment or the prime mower.
- Do not operate the equipment from anywhere other than the correct operator's position.
- Never leave equipment unattended with the engine running or with this attachment in a raised position.
- Do not alter or remove any safety feature from the prime mover or this attachment.
- Know your work site safety rules as well as traffic rules and flow. When in doubt on any safety issue, contact your supervisor or safety coordinator for an explanation.

QUALIFIED OPERATOR

- Operators must acquire an appropriate qualification or license to operate skid steer and attachments.
- Operators must be mentally sound and not being affected by drugs or alcoholic drinks while operating the equipment. Alcohol and drugs could reduce alertness and coordination, causing catastrophic accidents with serious personal injury or death. An operator taking prescription or
- over the counter drugs should seek medical advice as to whether he or she can safely operate the equipment.
- According to OSHA and applicable local regulations, operators must comply with industrial work safety requirements with all necessary protective apparel and equipment such as seat belts, helmets, safety glass, dust masks, heavy-duty gloves, etc.

ENVIRONMENTAL FACTORS

- Avoid working in bad weather, including but not limited to heavy rain, snowing, stormy and windy weather.
- Avoid working on the downhill side of a slope, hill, uneven and slippery ground.
- Beware of above-ground utilities, including power and communication lines, gas, sewer, and water pipelines.
- Check the work field thoroughly to avoid or remove obstacles or objects that may cause an imbalance or damages of equipment that could lead to catastrophic accidents causing serious personal
- injury or death.
- Do not operate in an environment that is not well-lit.

ATTACHING TELEBOOM TO YOUR LOADER

- Rest the attachment in flat ground, and drive loader towards the attachment mount plate.
- Engage the loader coupler wedges to the top hanger bracket of the mounting plate and tilt it back slowly until the mounting plate is slightly off the ground.
- Tilt the attachment further backward slowly until the mounting plate rests flush with the loader coupler.
- Stop loader engine, apply the parking brake, remove key and exit the loader.
- Lock the levers latch pins in full length through the lower slots of the mounting plate and double-check to make sure that the mounting plate tightly presses against the loader coupler without any gap.

- **WARNING:** Failure to lock the attachment tightly on the loader coupler will cause the attachment to come off, resulting in serious personal injury or death.
- Check dust and dirt on the male and female flat face couplers and wipe off dust and dirt before connecting to the loader or prime mover.
- Turn down the loader engine to deactivate the hydraulic pressure of the auxiliary oil circuit and plug the oil hose couplers into the respective oil ports of the loader.

BEFORE OPERATING THE ATTACHMENT

Read this manual and the manual of the loader or prime mover to get acquainted with safely operating the unit, mainly to stop the unit quickly in the event of an emergency.

- Check and replace parts that show signs of wearing.
- Check for loosening bolts, nuts, and pins and tighten.
- Check hydraulic connection for leakage and reconnect or replace if necessary.
- Check if all moving parts are sufficiently greased and apply grease if necessary.
- Check if the TRUSSBOOM is secure onto the loader coupler arms with the levers and wedges fully engaged.
- Assess if counterweight to improve stability is necessary.

OPERATING THE TELEBOOM

- Check the environment carefully as stated in ENVIRONMENTAL FACTORS AND WORK AREA.
- CONDITIONS section to avoid the uneven ground, slope, obstacles, bad weather, lighting conditions. to avoid accidents.
- Do not operate the TRUSSBOOM with bystanders, pets, and livestock under the boom and within proximity of 40 feet radius along the traveling path. Stop when outsiders enter the radius.
- Avoid operating on a slope that could cause the loader to roll over, resulting in severe injury or death.
- Avoid operating under overhead power or communication line in a low attitude. Misjudgment will cause the boom to hit overhead utility lines resulting in electrical shock or rollover of loader and causing personal injury or death.
- Do not load the boom more than the rated load capacities of each section specified in the SPECIFICATIONS section below. Note that the load capacity specified pertains to STATIC load.
- When transferring the boom under load or moving the loader to a designated position, keep the Boom as low as possible to prevent rollover. **WARNING:** Always transfer load at a slow pace to avoid rollover resulting in a fatal accident.
- Always use the loader arms to lift load first, then hoist load with the boom to the desired height.
- Refer to the "Rated Operating Capacity (ROC)" in the LOADER OR PRIME MOVER REQUIREMENTS
- The section below prevents insufficient stability during operation. Use counterweight recommended by the loader or prime mover dealers whenever necessary.

BEFORE OPERATING THE ATTACHMENT

- Turn the engine to idle speed before engaging auxiliary hydraulic to the TRUSSBOOM.

- Warm up the engine for at least 2 minutes before engaging auxiliary hydraulic to the TRUSS BOOM with gradual, incremental speed.
- Extend and retract the boom a few times to make sure that it functions appropriately before operating.

AFTER USE:

- Retract the boom cylinder fully.
- Turn off auxiliary hydraulic completely after use.
- Before exiting the loader or prime mover, lower the unit to the ground and rest flat, turn off the engine, apply parking brake and key.
- Perform after use inspection and maintenance as described in the AFTER USE AND MAINTENANCE in the next section below.

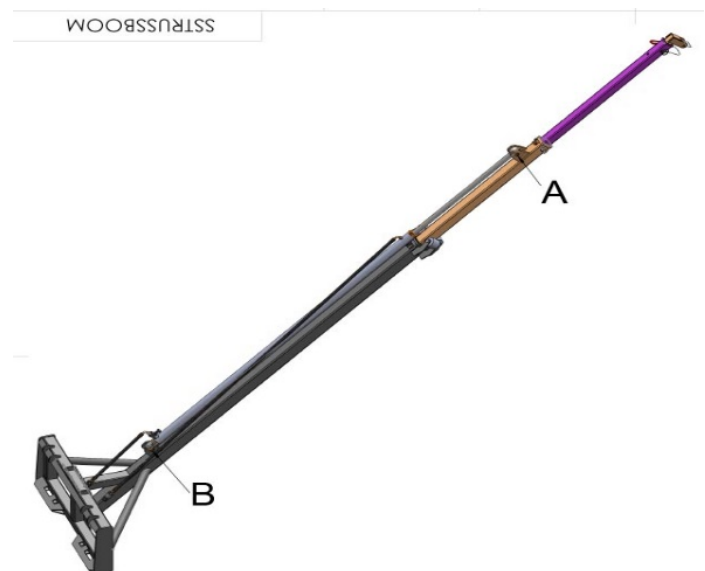
AFTER USE AND MAINTENANCE

- Inspection and maintenance can only one be conducted with engine turned off and auxiliary pressure completely disengaged.
- Lower the attachment to flat ground, apply brakes, turn off engine and remove the key
- Put on personal protective equipment apparel as described in previous sections.
- Each time after use, clean the attachment thoroughly and remove the debris and dirt
- Visually inspect if there are any parts damaged or deformed, repair and replace if necessary.

Check if there is any loosen or damaged hardware, tighten or replace hardware id necessary.

- The minimum torque for tightening hardware is shown below:
 - M10: 37 lb. Ft (50 N.m)
 - M12: 67 lb. Ft (90 N.m)
 - M16: 163 lb. Ft (220 N.m)

Lubricate all moving parts. The 2 grease points (A/B) are shown below:



- When the TRUSSBOOM is dry, check places where paint is scratched or worn and apply antirust oil to the surface where necessary.
- Store the TRUSSBOOM in a shed and dry place.
- Only authorized and qualified personnel should make repairs to the attachment. Always read the operator service manuals before any repair. After completing maintenance or repair, check for the correct functioning of the tree shear.
- If not functioning properly, always tag "DO NOT OPERATE" until all problems are corrected.
- Never make hydraulic repairs while the system is under pressure. Serious personal injury or death could result.

Regular and proper lubrication of all moving parts with a quality lubricant is needed for the efficient operation of the machine. Neglect leads to reduced efficiency, heavy draft, wear, breakdown, and unnecessary replacement parts.

All parts provided with grease fittings should be lubricated as indicated. If any grease fittings are missing, replace them immediately. Clean all fittings thoroughly before using the grease gun.

IMPORTANT: Avoid excessive greasing. Dirt collects on exposed grease and dramatically increases wear after greasing wipes off excessive grease from fittings.

EVERY 8 HOURS OF OPERATION

- Grease all swivel points thoroughly. Excessive wear and even mechanical damage to pins and cylinders can result from inadequate lubrication. Lubricate all grease fittings with SAE Multi-Purpose grease.
- Check all nuts and bolts, tighten if loose.
- Visually inspect the machine for worn parts or cracked welds. Repair or replace as necessary.

EVERY 40 HOURS OF OPERATION

- Check hydraulic reservoir fluid level. If oil is low, check all lines, fittings, and control valve for signs of leakage.

CAUTION

Shut off vehicle engine before lubricating equipment.

WARNING

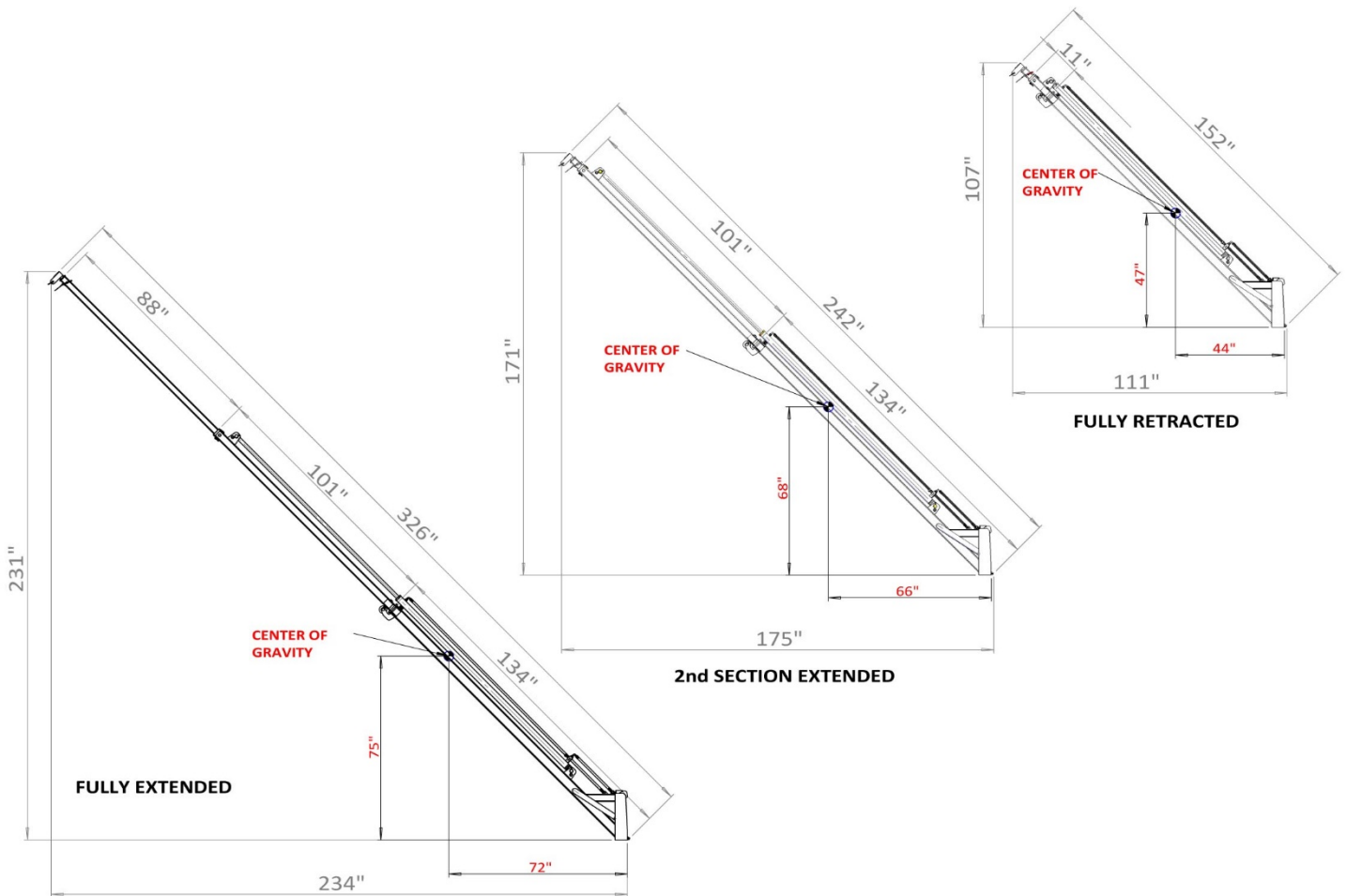
Escaping hydraulic fluid under pressure can penetrate the skin causing serious injury or death. DO NOT use your hand to check for leaks. Use a piece of cardboard or paper to search for leaks. Stop engine and relieve pressure before connecting or disconnecting lines. Tighten all connections before starting engine or pressuring lines.

If any hydraulic fluid is injected into the skin, obtain medical attention immediately or gangrene or other serious injury will result.

IMPORTANT: When replacing parts, use only factory approved replacement parts. Manufacturer will not claim responsibility for use of unapproved parts or accessories, and/or other damages because of their use.

TELEBOOM SPECIFICATIONS

- Overall Dimensions – fully retracted (L x W x H): 152" x 46" x 19"
 - Dimensions of extensions are shown below:



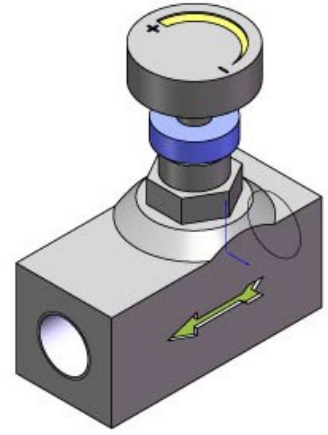
- Product Weight: 550 lbs.
- Static Load Capacity:
 - Fully retarded (first section): 850 lbs. (390 Kg)
 - Half extension (second section): 525 lbs. (240 Kg)
 - Full extension (third section): 330 lbs. (150 Kg)
- (Under DYNAMIC situation like boom vibrations during hoisting or moving, the boom is subject to more dynamic force than the static load.)

LOADER OR PRIME MOVER REQUIREMENTS

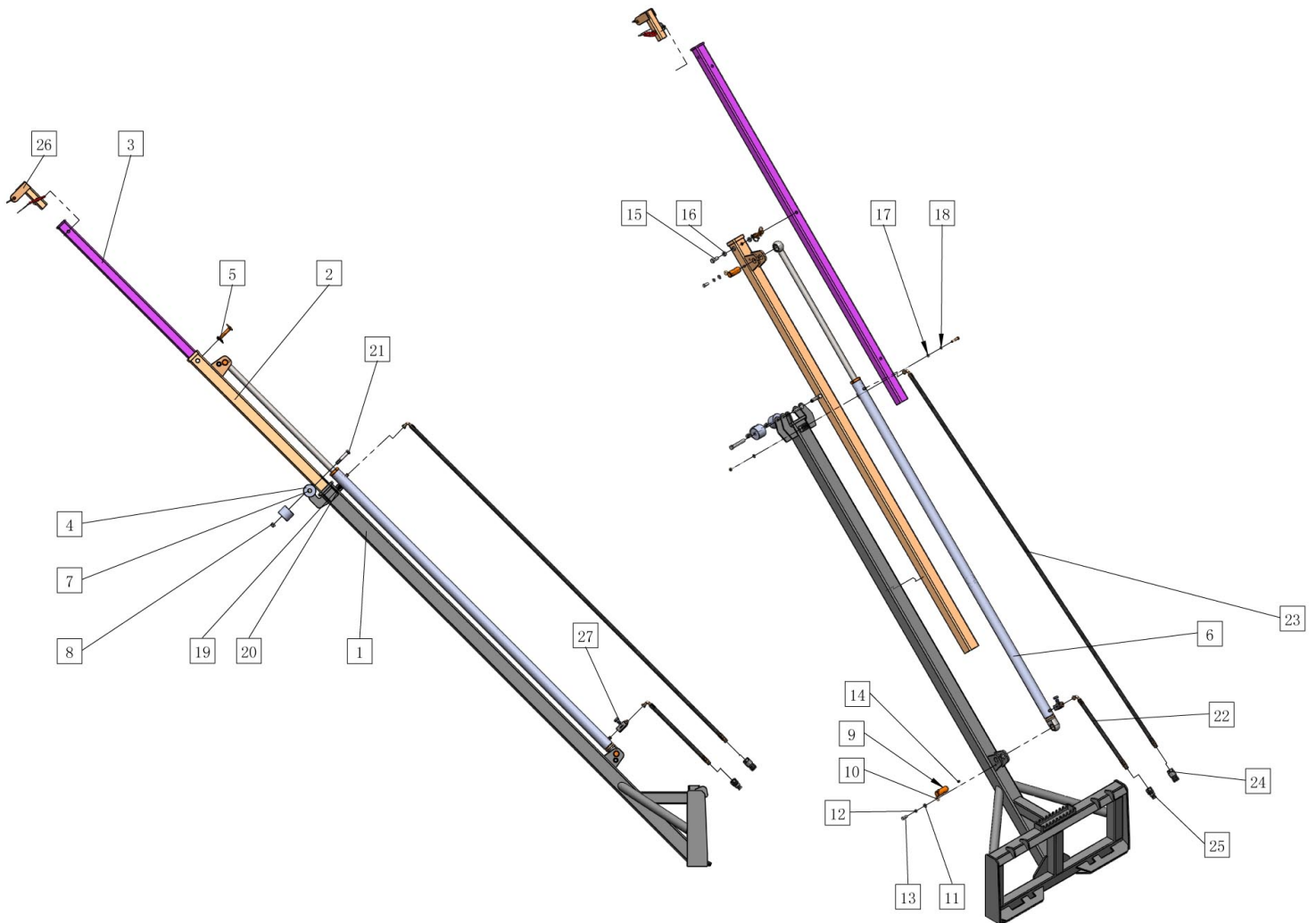
- Horsepower \geq 20 HP
- Hydraulic Pressure: 2320 – 3625 PSI
- Flow Rate: 3 – 5 GPM
- Minimum Lifting Capacity: 1750 lbs.
- Rated Operating Capacity (ROC): 26

SAFETY VALVE

- Titan TRUSSBOOM is equipped with safety valve that serves to regulate hydraulic oil flows so that in the event of hydraulic failure, the boom will not collapse instantly causing hazard.
- Speed of cylinder retraction is adjustable. Turning control knob clockwise will reduce flow and slow down retraction speed. Turning control knob anticlockwise will increase flow and speed up retraction speed.
- Slow retraction speed is recommended.
- Hydraulic pressure range of the safety valve is 2320 to 3625 PSI.



PARTS DIAGRAM/EXPLODED VIEW



KEY	BOX	DESCRIPTION	QTY
(1)		MAIN FRAME (SECTION 1)	1
(2)		TELESCOPIC BOOM-1 (SECTION 2)	1
(3)		TELESCOPIC BOOM-2 (SECTION 3)	1
(4)		SLIDE ROLLER	3
(5)		LOCK PIN ASSY	1
(6)		HYDRAULIC CYLINDER	1
(7)		HEXA BOLT M16x110	1
(8)		HEXA LOCK NUT M16	3
(9)		CYLINDER PIN	2
(10)		EYE PIN	2
(11)		FLAT WASHER M12	2
(12)		SPRING WASHER M12	2
(13)		HEXA BOLT M12x30	2
(14)		GREASE ZERK	2
(15)		HEXA BOLT M16x40	2
(16)		HEXA NUT M16	2
(17)		FLAT WASHER M10	2
(18)		SPRING WASHER M10	1
(19)		HEXA BOLT M10x50	1
(20)		HEXA NUT M10	1
(21)		HEXA BOLT M16x100	2
(22)		OIL HOSE - FEED	1
(23)		OIL HOSE - RETURN	1
(24)		FLAT FACE COUPLER - FEMALE	1
(25)		FLAT FACE COUPLER - MALE	1
(26)		HOOK ASSY	1
(27)		SAFETY VALVE	1

HYDRAULIC SYSTEM PARTS DIAGRAM/EXPLODED VIEW



KEY	DESCRIPTION	QTY
(1)	HYDRAULIC CYLINDER	1
(2)	SAFETY VALVE	1
(3)	GASKET Ø3/8"	1
(4)	HOSE CONNECTOR G3/8"	1
(5)	OIL HOSE - FEED	1
(6)	FLAT FACE COUPLER - MALE	1
(7)	FLAT FACE COUPLER -FEMALE	1
(8)	OIL HOSE - RETURN	1

ACKNOWLEDGEMENT OF RISK AND RELEASE OF LIABILITY

The use of any equipment, including this one, involves the potential risk of injury. Apart from any warranty claim that might be presented for a claimed defect in material or workmanship of the product, you accept and assume full responsibility for any and all injuries, damages (both economic and non-economic), and losses of any type, which may occur, and you fully and forever release and discharge Titan, its insurers, employees, officers, directors, associates, and agents from any and all claims, demands, damages, rights of action, or causes of action, present or future, whether the same be known or unknown, anticipated, or unanticipated, resulting from or arising out of the use of said equipment.

This equipment must be used with care by capable and competent individuals under supervision, if necessary.

WARNING



Do not overfill! Mower should be level when checking oil in gear box.



some activities might be able to cause electric shock



Sharp objects may be involved.
Use protective cover during maintenance.

TITAN LIMITED WARRANTY: TERMS, EXCLUSIONS AND LIMITATIONS OF REMEDIES

This product comes with a one (1) year limited warranty that can be found at www.palletforks.com/warranty.html. Please review the same for all details regarding the Titan Limited Warranty.

THE TITAN LIMITED WARRANTY FOUND AT WWW.PALLETFORKS.COM/WARRANTY.HTML IS EXCLUSIVE AND IS IN LIEU OF ALL OTHER WARRANTIES, EXPRESS OR IMPLIED, INCLUDING ANY IMPLIED WARRANTY OF MERCHANTABILITY AND/OR FITNESS FOR A PARTICULAR PURPOSE, EACH OF WHICH IS HEREBY DISCLAIMED.



NEED HELP? CONTACT US FIRST.

1-800-605-7595

info@palletworks.com
www.palletforks.com

© 2021 Titan Brands