

# TITAN RAMPS



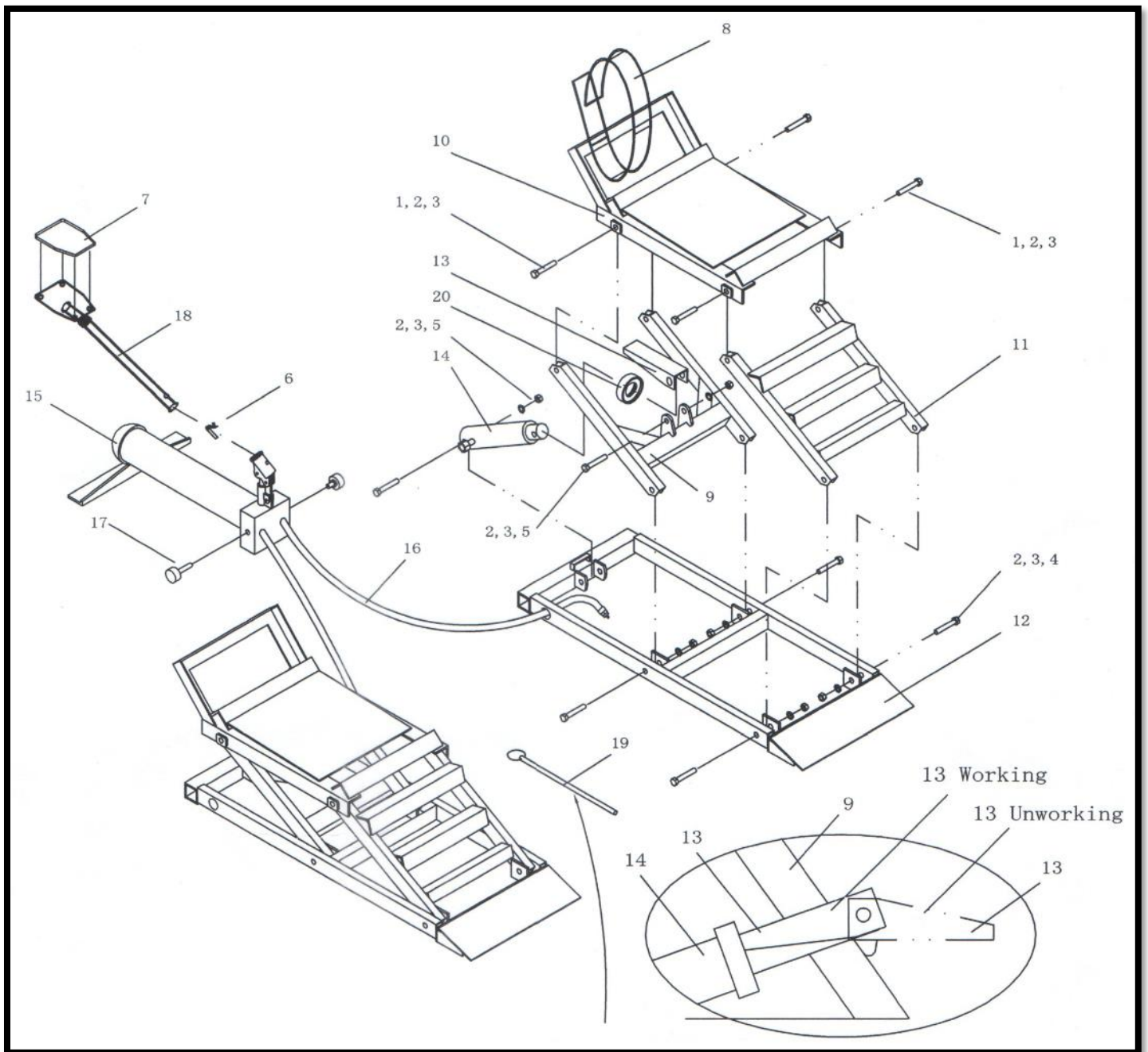
## OWNER'S MANUAL

---

**MPN(s):** RAMP3K

**SKU(s):** 311431

# PARTS DIAGRAM

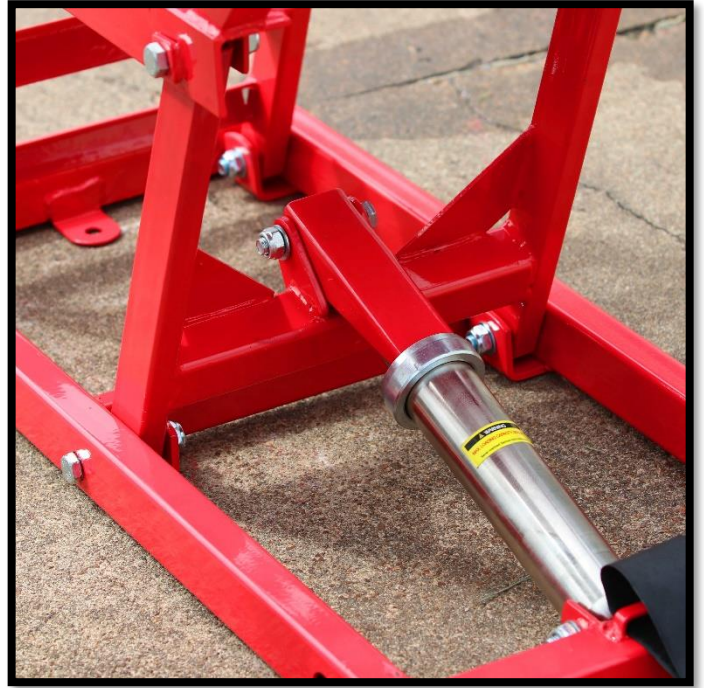


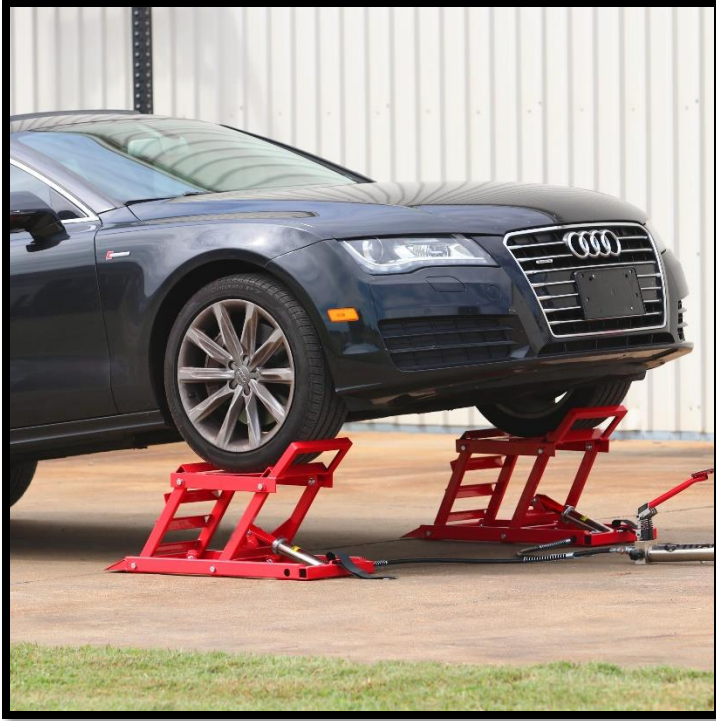
<b>KEY</b>	<b>DESCRIPTION</b>	<b>QTY</b>
(1)	BOLT M12x60	x8
(2)	FLAT WASHER $\Phi$ 12	x20
(3)	NYLON NUT M12	x20
(4)	BOLT M12x65	x8
(5)	BOLT M12x80	x4
(6)	PIN	x1
(7)	RUBBER	x1
(8)	BAND	x2
(9)	LIFTING ARM – 1	x2
(10)	PLATFORM	x2
(11)	LIFTING ARM – 2	x2
(12)	BASE	x2
(13)	SAFETY PLATE	x2
(14)	RAM	x2
(15)	PUMP	x1
(16)	HYDRAULIC TUBE	x2
(17)	RELEASE VALVE	x2
(18)	OPERATING LEVER PEDAL	x1
(19)	SAFETY PLATE TOOL	x1
(20)	PART	x1

# IMPORTANT SAFETY INFORMATION

---

**AFTER USING THE FOOT ACTION PUMP TO RAISE YOUR VEHICLE, YOU MUST FLIP THE LOCKING PLATE INTO PLACE BEFORE GOING UNDERNEATH YOUR VEHICLE.**





*This concludes the RAMP3K  
Owner's Manual.*

*Enjoy!*

#### **DISCLAIMER**

This equipment must be used with care by capable and competent individuals under supervision, if necessary.

The use of any equipment, including this one, involves the potential risk of injury. You accept and assume full responsibility for any and all injuries, damages (both economic and non-economic), and losses of any type, which may occur, and you fully and forever release and discharge Titan, its insurers, employees, officers, directors, associates, and agents from any and all claims, demands, damages, rights of action, or causes of action, present or future, whether the same be known or unknown, anticipated, or unanticipated, resulting from or arising out of the use of said equipment.

TITAN MAKES NO WARRANTY WHATSOEVER WITH RESPECT TO THE EQUIPMENT, INCLUDING ANY WARRANTY OF MERCHANTABILITY OR WARRANTY OF FITNESS FOR A PARTICULAR PURPOSE, WHETHER EXPRESS OR IMPLIED BY LAW, COURSE OF DEALING, COURSE OF PERFORMANCE, USAGE OF TRADE OR OTHERWISE. BUYER ASSUMES ALL LIABILITY IN USE OF THE EQUIPMENT.

**NEED HELP?**

**CONTACT US FIRST.**

**1 (800) 605-8241**

[info@titandistributorsinc.com](mailto:info@titandistributorsinc.com) / [www.titanramps.com](http://www.titanramps.com)

**Business Hours: Monday–Friday • 8:00 a.m.–5:00 p.m. (CT)**