

# TITAN RAMPS



## OWNER'S MANUAL

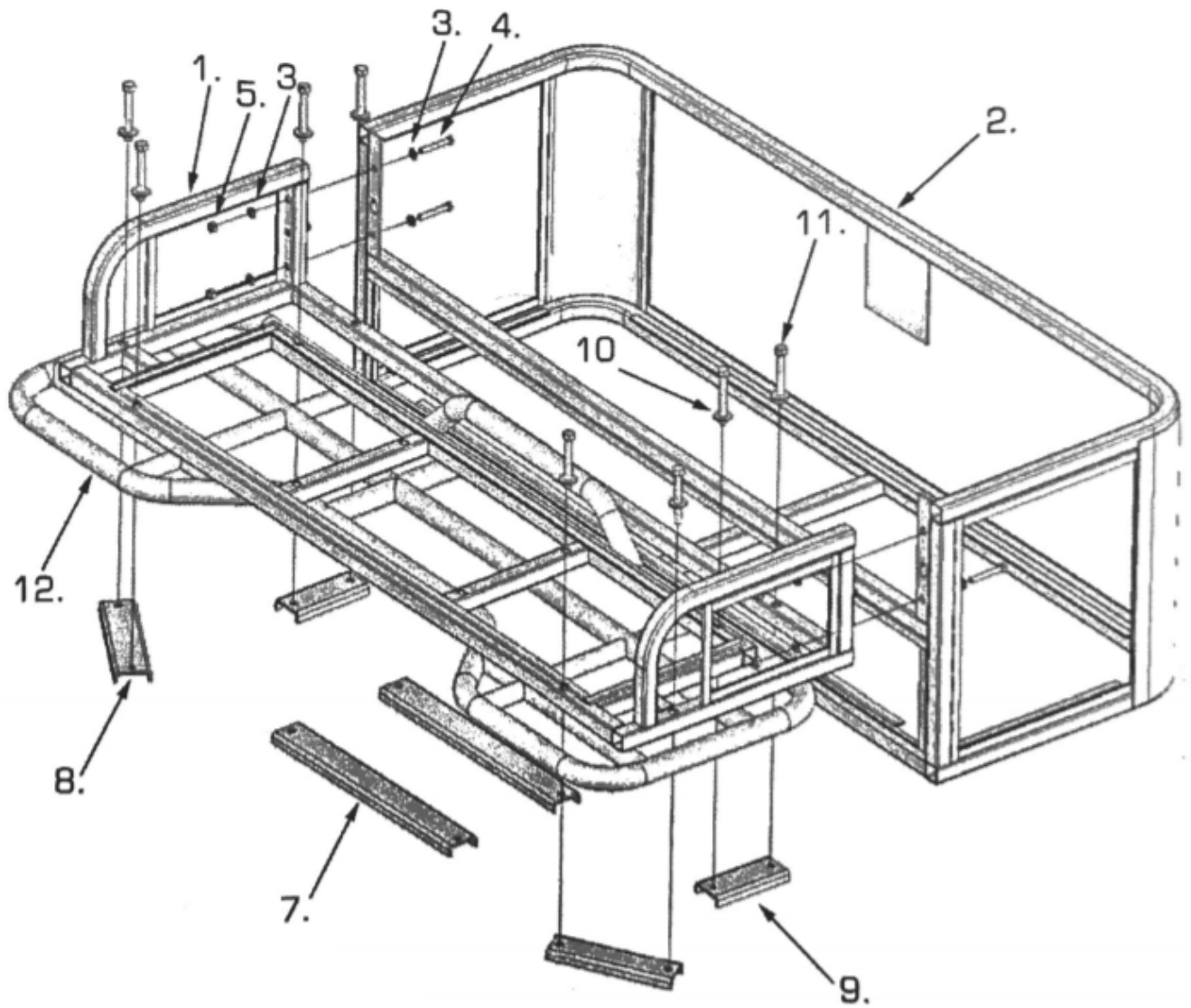
---

**MPN(s): DDB2010**

**SKU(s): 332010**

**UPC(s): 765857423135**

# PARTS DIAGRAM / EXPLODED VIEW

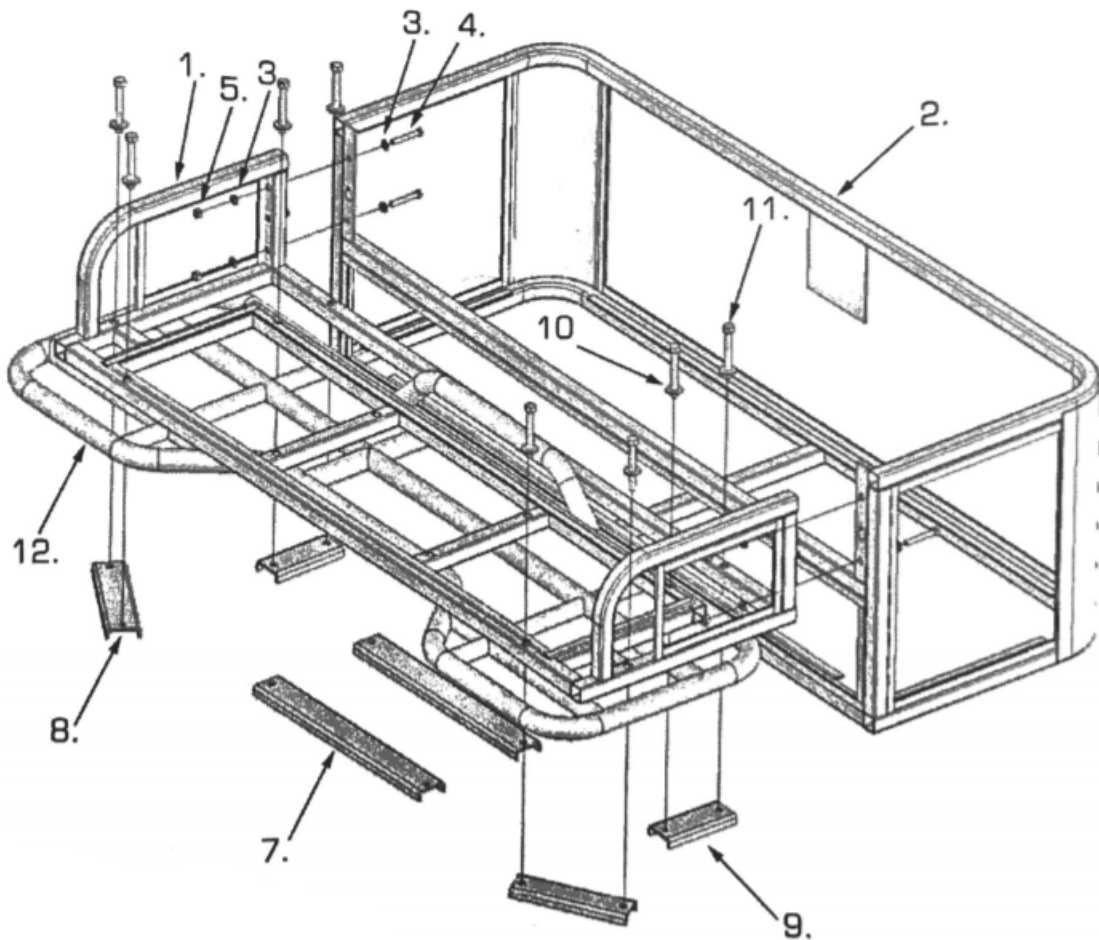


KEY	BOX	DESCRIPTION	QTY
(1)	1	BASKET RACK MOUNT	1
(2)	1	DROP BASKET RACK	1
(3)	1	FLAT WASHER, ½" OD	8
(4)	1	¼-20X1 ½ BOLT	4
(5)	1	¼-20 LOCK NUT	4
(6)	1	TUBE PLUGS (ALREADY INSTALLED)	6
(7)	1	MOUNTING PLATE – 11.75"	2
(8)	1	MOUNTING PLATE – 5.39"	2
(9)	1	MOUNTING PLATE – 3.00"	2
(10)	1	5/16 FLAT WASHER	8
(11)	1	5/16- 18X2 BOLT	8
(12)	1	YOUR ATV RACK	1

NOTE: Hardware May Be Metric – Additional Hardware Should be Purchased for different mounting

# ASSEMBLY INSTRUCTIONS

1. Unpack all basket parts and identify them.
2. Position the basket rack mount so it is centered on the rear rack of the ATV. \* Note, depending on the type and size of your ATV rack, the extension may have to be removed before the basket can be installed.
3. Position any two seats of mounting plates under the ATV rack so the mounting plate hole line up with the holes of the basket rack mount. Insert (8) 5/16-18 bolts through (8) washers, rack mount, and into the mounting plates. Do not tighten the bolts until all the bolts have been installed.
4. Align the rack mount evenly on the ATV rack and tighten bolts.
5. Obtain the drop basket back and mount to the rack mount. Secure it by using (4) 1/4-20x1/2 bolts, (8) 1/4" flat washers, and (4) 1/4" lock nuts.
6. Install tube plugs if not already installed.





*This concludes the DDB2010 Owner's Manual.*

*If applicable to your product, make sure to tighten  
all nut-and-bolt combinations before use.*

*Enjoy!*

### **DISCLAIMER**

This equipment must be used with care by capable and competent individuals under supervision, if necessary.

The use of any equipment, including this one, involves the potential risk of injury. You accept and assume full responsibility for any and all injuries, damages (both economic and non-economic), and losses of any type, which may occur, and you fully and forever release and discharge Titan, its insurers, employees, officers, directors, associates, and agents from any and all claims, demands, damages, rights of action, or causes of action, present or future, whether the same be known or unknown, anticipated, or unanticipated, resulting from or arising out of the use of said equipment.

TITAN MAKES NO WARRANTY WHATSOEVER WITH RESPECT TO THE EQUIPMENT, INCLUDING ANY WARRANTY OF MERCHANTABILITY OR WARRANTY OF FITNESS FOR A PARTICULAR PURPOSE, WHETHER EXPRESS OR IMPLIED BY LAW, COURSE OF DEALING, COURSE OF PERFORMANCE, USAGE OF TRADE OR OTHERWISE. BUYER ASSUMES ALL LIABILITY IN USE OF THE EQUIPMENT.

**NEED HELP?**

**CONTACT US FIRST.**

**1 (800) 605-8241**

[info@titandistributorsinc.com](mailto:info@titandistributorsinc.com) / [www.titanramps.com](http://www.titanramps.com)

**Business Hours: Monday–Friday • 8:00 a.m.–5:00 p.m. (CT)**