



WWW.PALLETFORKS.COM
TITAN
ATTACHMENTS



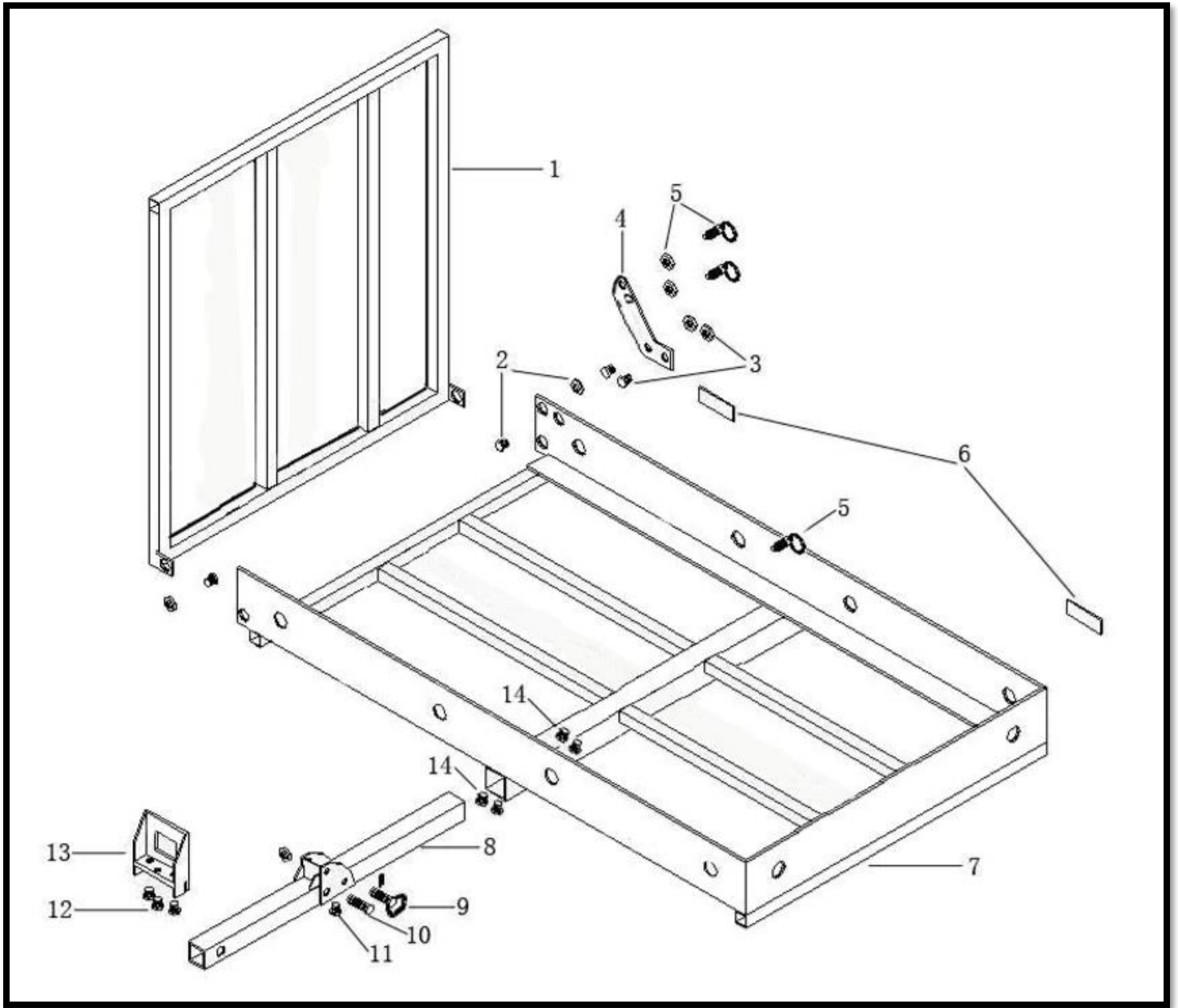
OWNER'S MANUAL

MPN(s): MC400, MC500, MC500C

SKU(s): 332100, 332200, N/A

UPC(s): 765857423791, 765857423784, N/A

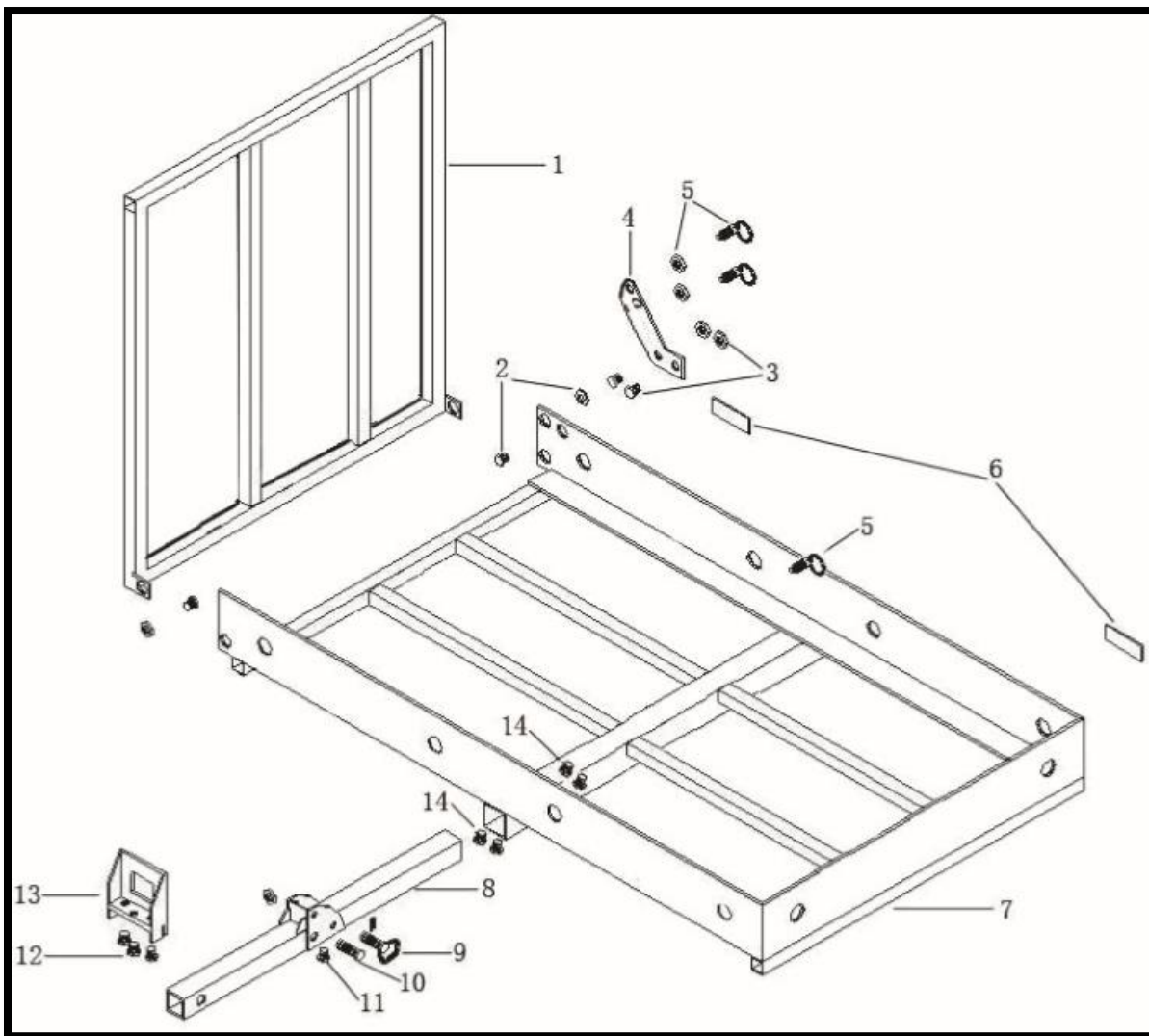
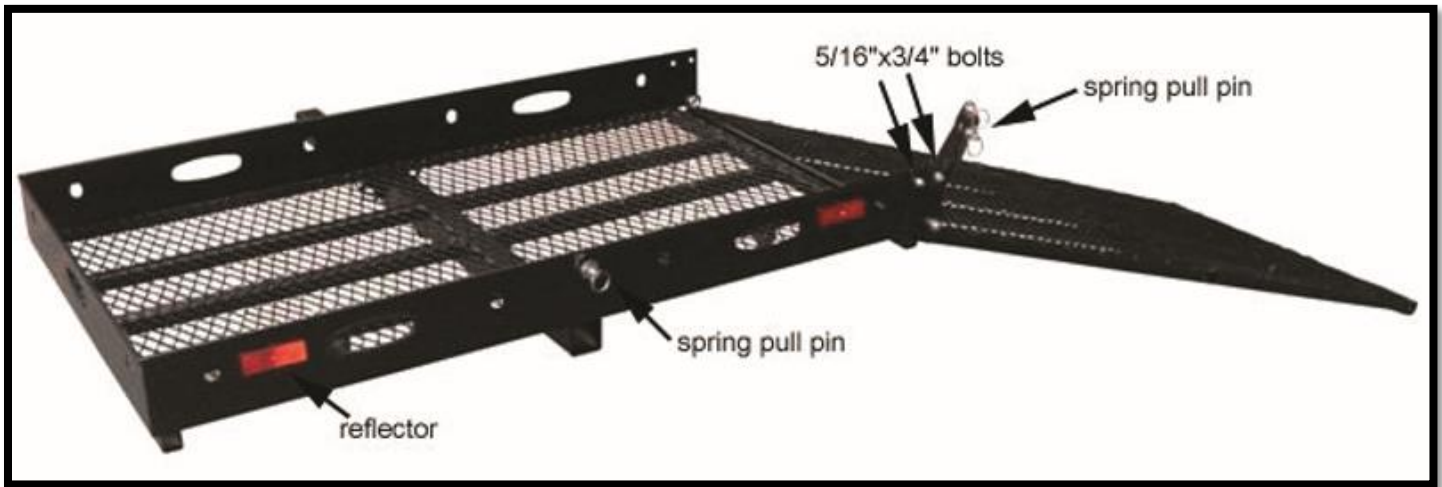
PARTS DIAGRAM – MC400



KEY	DESCRIPTION	QTY
(1)	RAMP	x1
(2)	RAMP BOLT SETS	x2
(3)	CARRIAGE BOLT SETS	x2
(4)	RAMP BRACKET	x1
(5)	SPRING PULL PIN	x3
(6)	REFLECTOR	x2
(7)	CARRIER TRAY	x1
(8)	HITCH	x1
(9)	HITCH PIN	x2
(10)	BOLT M12x70	x1
(11)	ADJUSTMENT BOLT	x1
(12)	BOLT M10x30	x3
(13)	ANTI-TILT LOCK BRACKET	x1
(14)	LOCK BOLT	x4



PARTS DIAGRAM – MC500



KEY	PART NUMBER	DESCRIPTION	QTY
(1)	P332200-1	RAMP	x1
(2)	P332200-2	RAMP BOLT ASSEMBLY	x2
(3)	P332200-3	CARRIAGE BOLT SETS	x2
(4)	P332200-4	RAMP BRACKET	x1
(5)	P332200-5	SPRING PULL PIN	x3
(6)	P332200-6	REFLECTOR	x2
(7)	P332200-7	CARRIER TRAY	x1
(8)	P332200-8	RECEIVER BAR (GEAR)	x1
(9)	P332200-9	HITCH PIN	x2
(10)	P332200-10	BOLT M12x70	x1
(11)	P332200-11	ADJUSTMENT BOLT	x1
(12)	P332200-12	BOLT M10x30	x3
(13)	P332200-13	ANTI-TILT LOCK BRACKET	x1
(14)	P332200-14	LOCK BOLT	x4



WARNING!

A warning indicates a potentially dangerous situation, which if not avoided, could result in death or serious injury.

- 1. Read all instructions and save them for future reference.**
- 2. Follow all warnings and instructions marked on the product.**
- 3. Do not ride any vehicle while loading onto the carrier.**
- 4. Do not stand on the carrier.**
- 5. Never exceed vehicle tongue weight ratings.**
- 6. Always store the carrier in a safe place.**
- 7. Improper use, storage or installation of carrier could result in death or serious injury.**
- 8. Do not put the product on any kinds of trailers.**
- 9. Carrying capacity is limited to 500 lbs. max.**

SPECIFICATIONS

Weight Capacity	500 Pounds
Receiver Size	2"



UNPACKING

When unpacking, make sure that item is intact and undamaged. If any parts are missing or broken, please call the distributor as soon as possible.

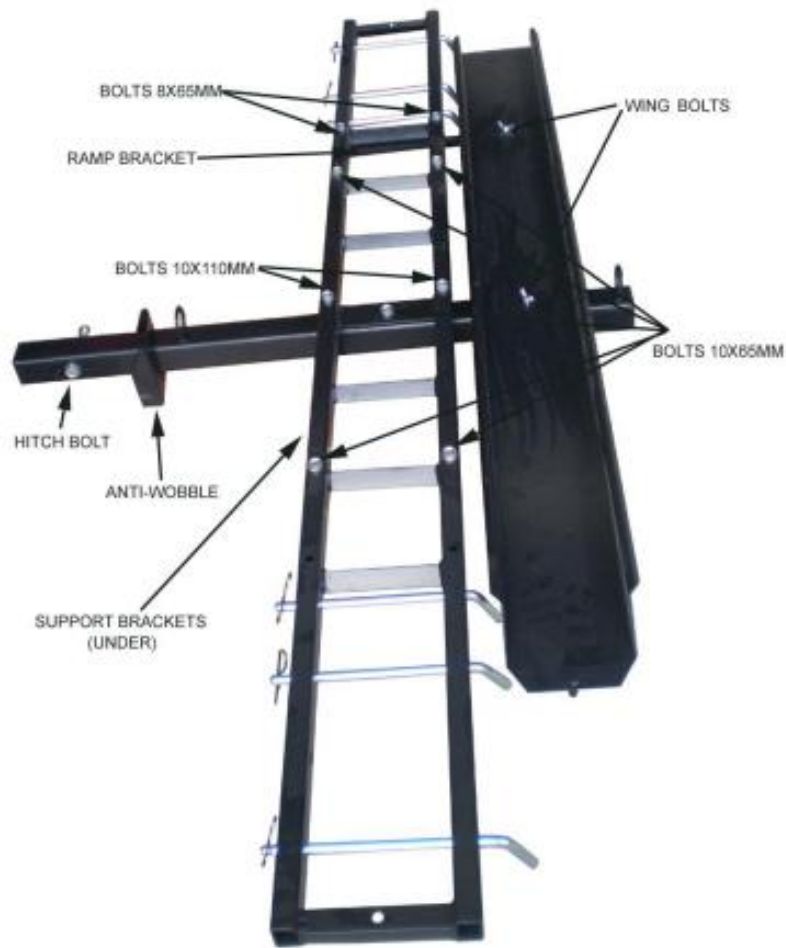
ASSEMBLY

Step 1: Put the motorcycle rack onto the hitch bar, and secure the rack by bolts and nuts. And then assemble the support brackets on the rack, tighten all the bolts until secure.

Step 2: Secure the ramp bracket on the rack.



Step 3: Put the ramp onto the ramp bracket and use wing nuts to secure.

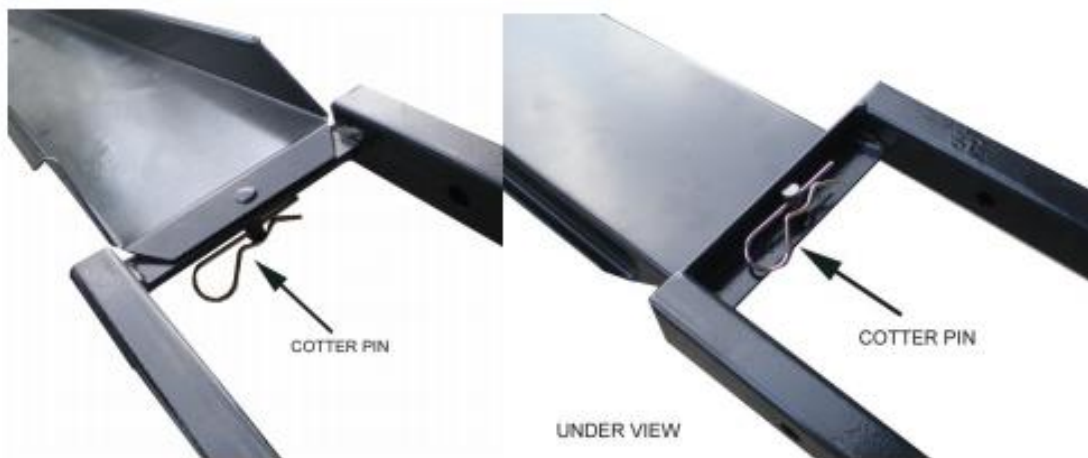


Step 4: Slide the anti-wobble bracket over hitch bar with the flat side of the bracket away from the vehicle. Slide the motorcycle carrier into the vehicle hitch, install the hitch pin (not included), then tighten anti-wobble bolts evenly.



OPERATION

- 1. Adjust the long pins so that the motorcycle's weight will be centered on the platform. Some larger wheels will require long pin to be left off entirely.**
- 2. Remove the ramp.**
- 3. Hook ramp to lip on right side of rack. The ramp must be secured by cotter pin, see the photos.**



- 4. Put motorcycle in neutral and, with an assistant, push it up ramp. Stop when front wheel reaches center of platform and have assistant support motorcycle.**
- 5. Push motorcycle completely onto carrier.**
- 6. Secure motorcycle by ratcheting tie downs.**
- 7. Use ratcheting tie downs to compress motorcycle's suspension evenly until there is no possibility of motorcycle coming loose.**
- 8. Return ramp to mounted position and secure with wing bolts.**
- 9. Attach any needed markers and/or lights to carrier and motorcycle as required by vehicle codes.**

MAINTENANCE

1. **BEFORE EACH USE**, inspect the general condition of the carrier. Check for loose screws, misalignment or binding of moving parts, cracked or broken parts and any other condition that may affect its safe operation.
2. **AFTER USE**, clean surfaces with clean cloth.

PARTS





*This concludes the
assembly of your
product.*

*Make sure to tighten all
nut-and-bolt
combinations before use.*

Enjoy!

NEED HELP?

CONTACT US FIRST.

1 (800) 605-8241

info@titandistributorsinc.com / www.palletforks.com

Business Hours: Monday–Friday • 8:00 a.m.–5:00 p.m. (CT)

