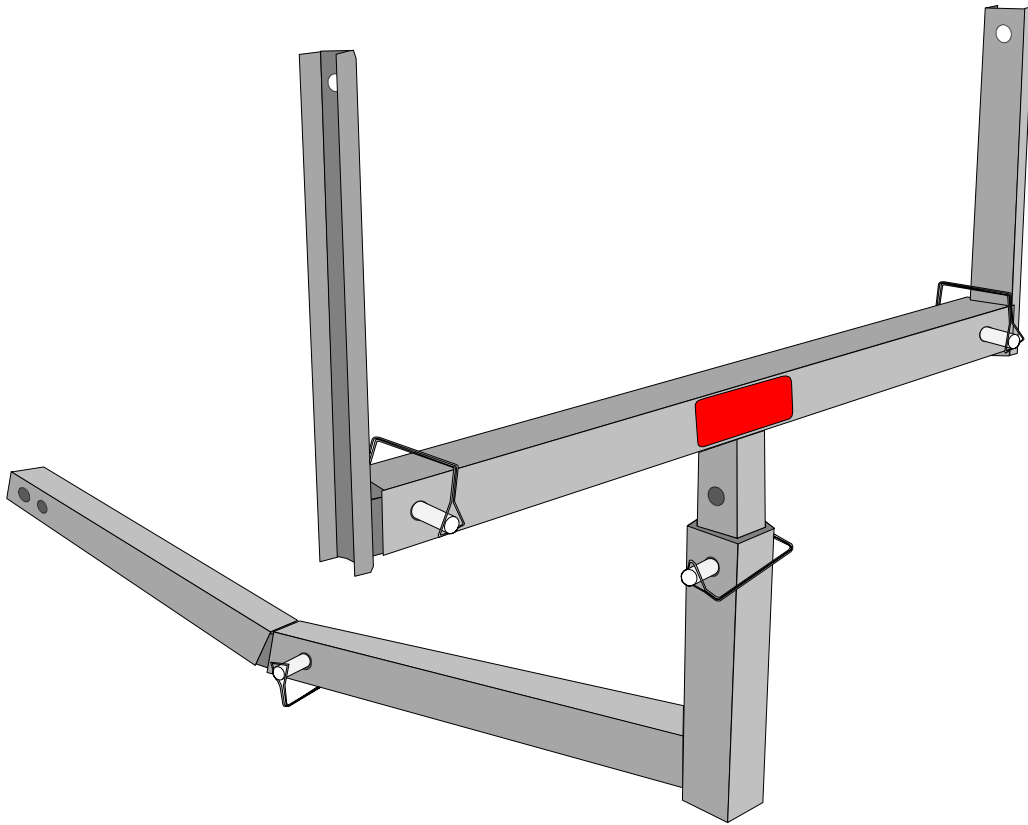


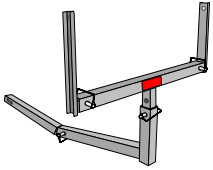


TRUCK BED EXTENDER

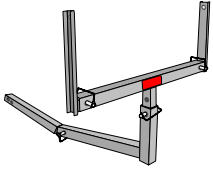
# Owner's Manual



This Product is Distributed Exclusively by  
Titan Distributors Inc  
141 Eastley St. Ste. 113 Collierville, TN 38017  
Customer Service  
800 - 605 - 8241  
[www.palletforks.com](http://www.palletforks.com)



# TRUCK BED EXTENDER PARTS LIST



To begin, match up all the parts with  
the following parts diagrams:

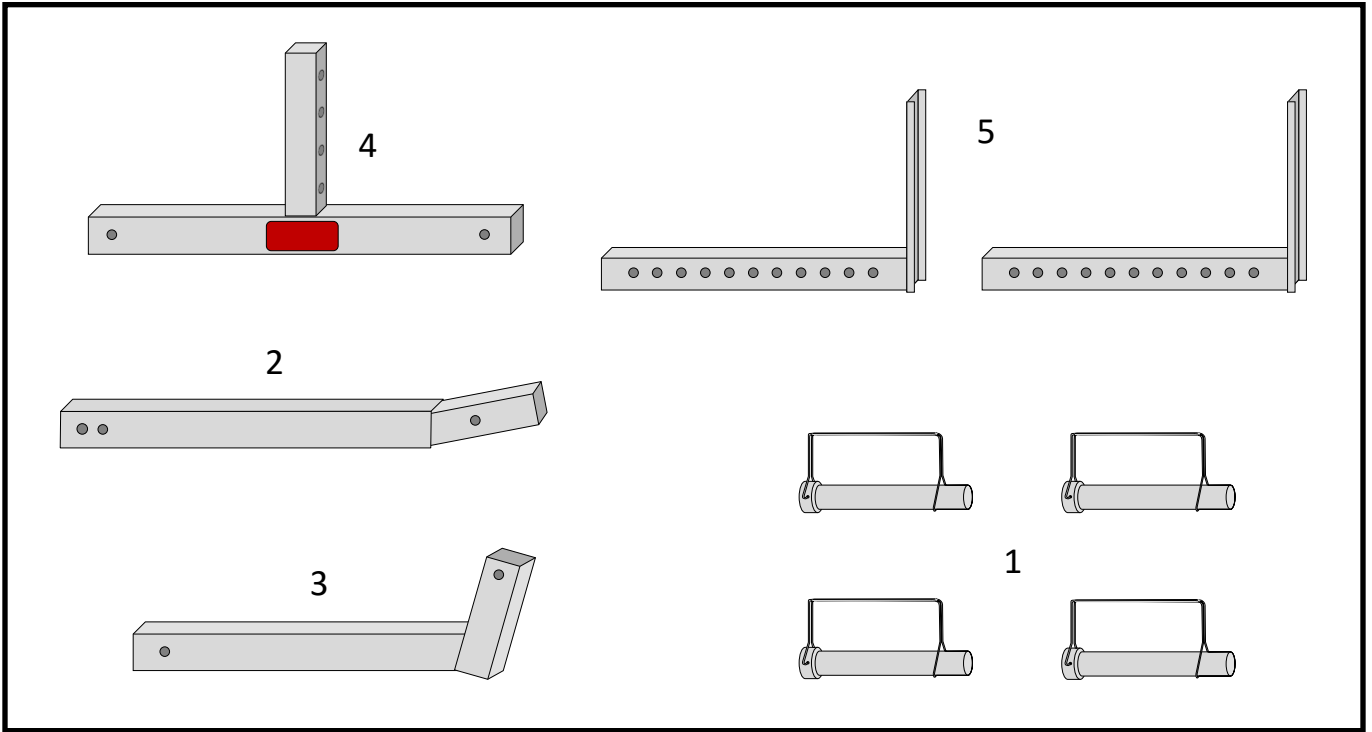
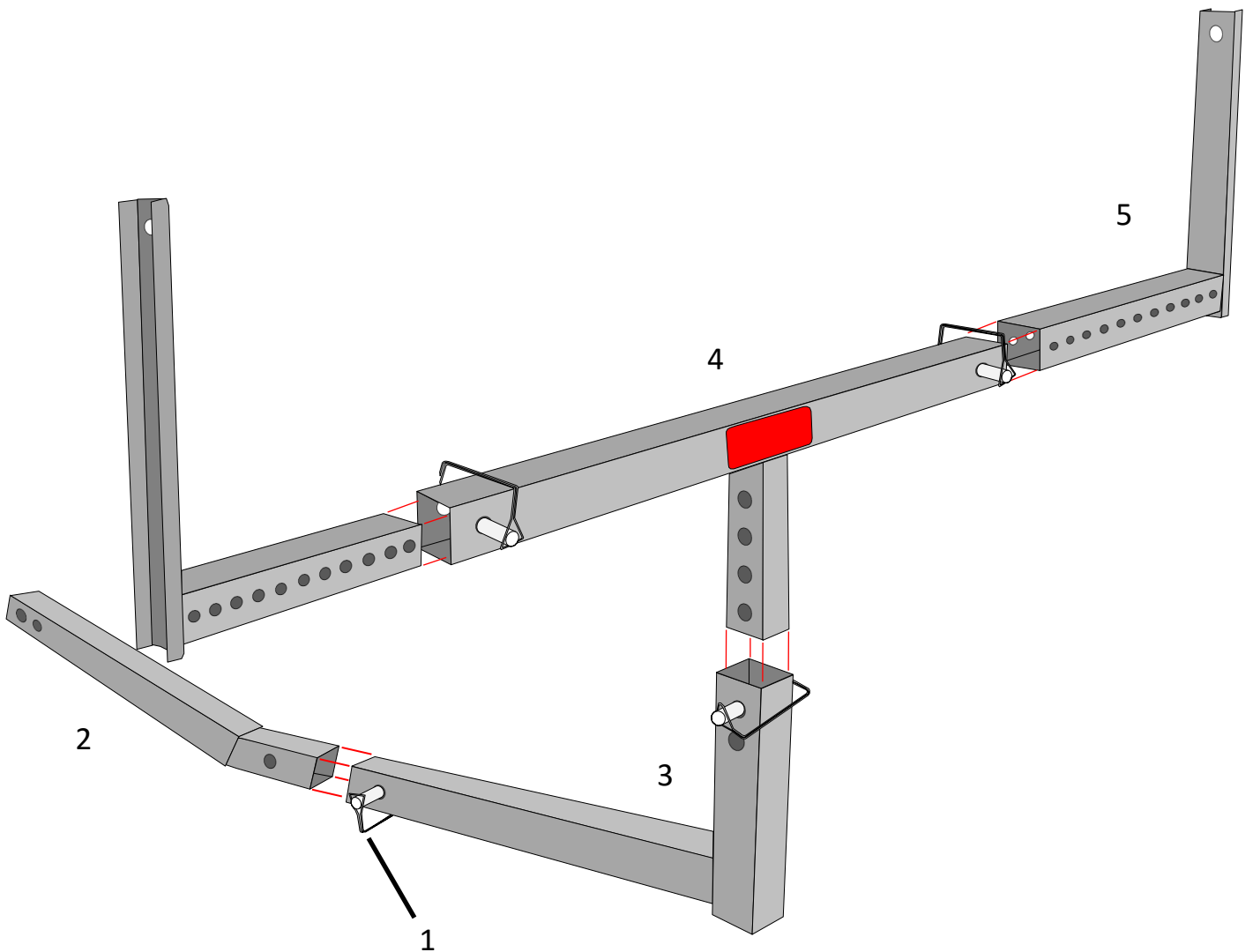


DIAGRAM NO.	PART NUMBER	DESCRIPTION	QTY
1	P334110 - 1	Clevis Pins	4
2	P334110 - 2	Hitch Tube	1
3	P334110 - 3	Mast Support	1
4	P334110 - 4	T Mast	1
5	P334110 - 5	Fork Arms	2

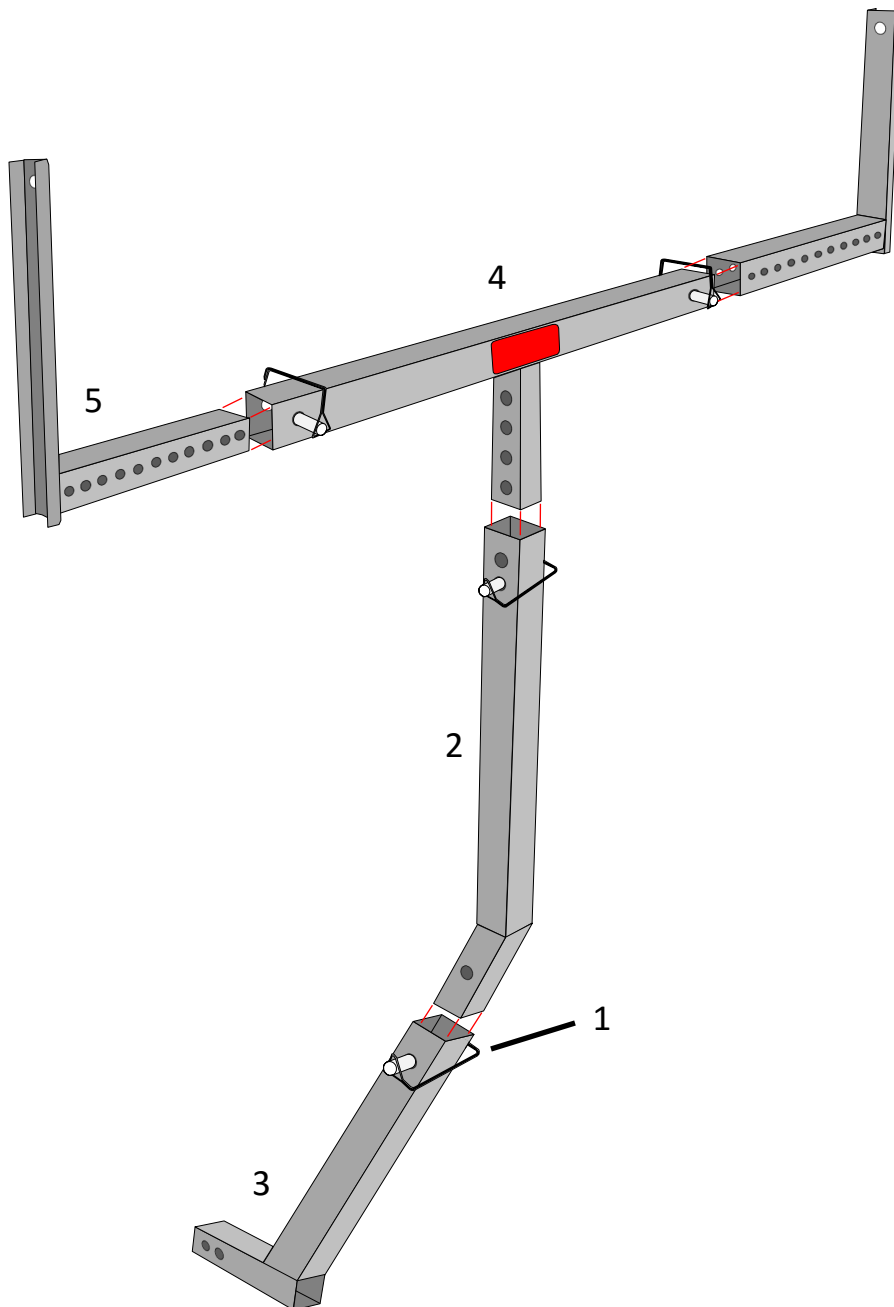
## Horizontal Install

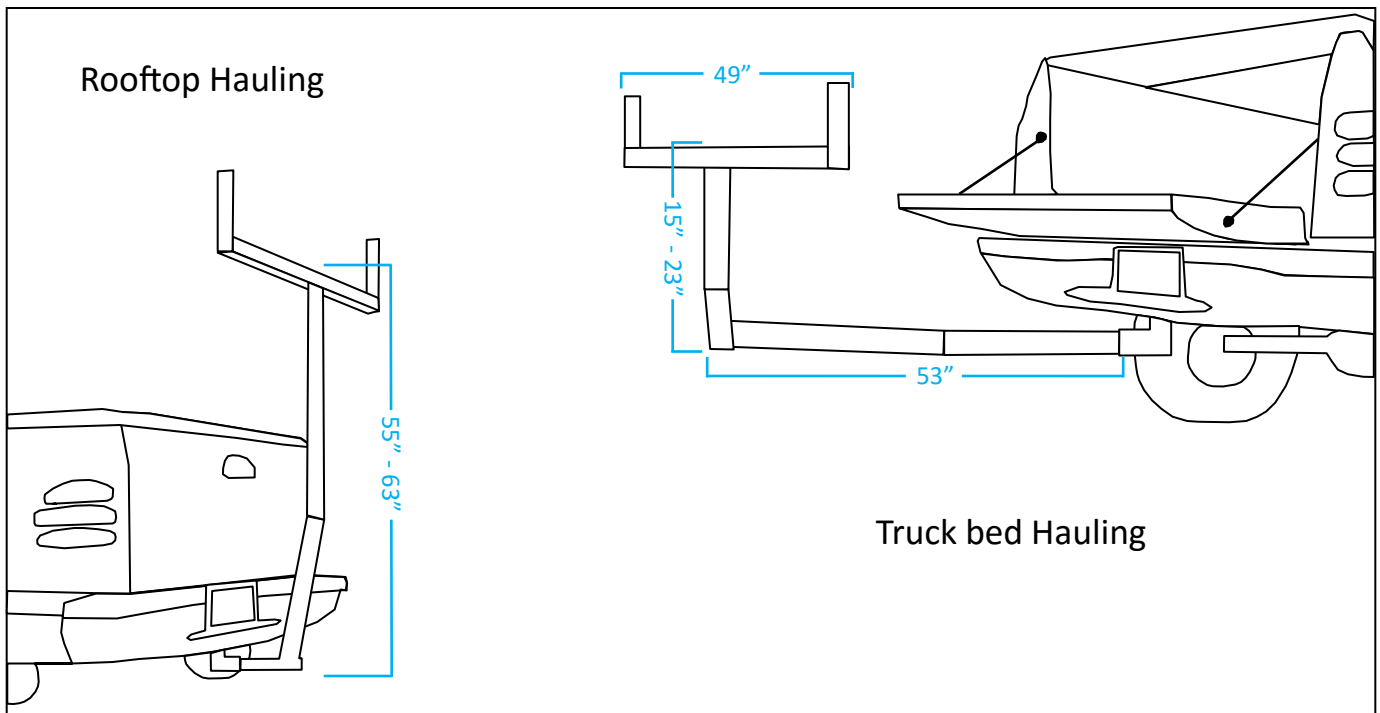
- Attach the **HITCH TUBE (2)** to the **MAST SUPPORT (3)** using a **CLEVIS PIN (1)**.
- Install the **FORK ARMS (5)** on the **T MAST (4)** to the desired width using one **CLEVIS PIN (1)** for each **FORK ARM (5)**.
- Mount the **T MAST (4)** onto the **MAST SUPPORT (3)** to the desired height using a **CLEVIS PIN (1)**.



## Vertical Install

- Attach the **MAST SUPPORT (3)** to the **HITCH TUBE (2)** using a **CLEVIS PIN (1)**.
- Install the **FORK ARMS (5)** on the **T MAST (4)** to the desired width using one **CLEVIS PIN (1)** for each **FORK ARM (5)**.
- Mount the **T MAST (4)** onto the **HITCH TUBE (2)** to the desired height using a **CLEVIS PIN (1)**.





### Features and Specifications:

- Capacity: 350 lbs
- Fits any 2" trailer receiver hitch.
- Easy to install and remove.
- Heavy duty
- Disassemble for easy storage
- Great for wood, kayaks and canoes!



### USE WITH CAUTION

1. Never exceed the maximum weight capacity of 350 lbs. Doing so will result in equipment failure and increases chances of injury or death.
2. Secure the object to the truck bed extender using appropriate straps.
3. Tie a warning flag to the back of the object that is extending past the truck bed.

### TITAN ATTACHMENTS

141 Eastley St. Ste. 113 Collierville, TN 38017

(800) 605-8241

[www.palletforks.com](http://www.palletforks.com)

E-MAIL: [info@palletforks.com](mailto:info@palletforks.com)