

# **TITAN** RAMPS



## OWNER'S MANUAL

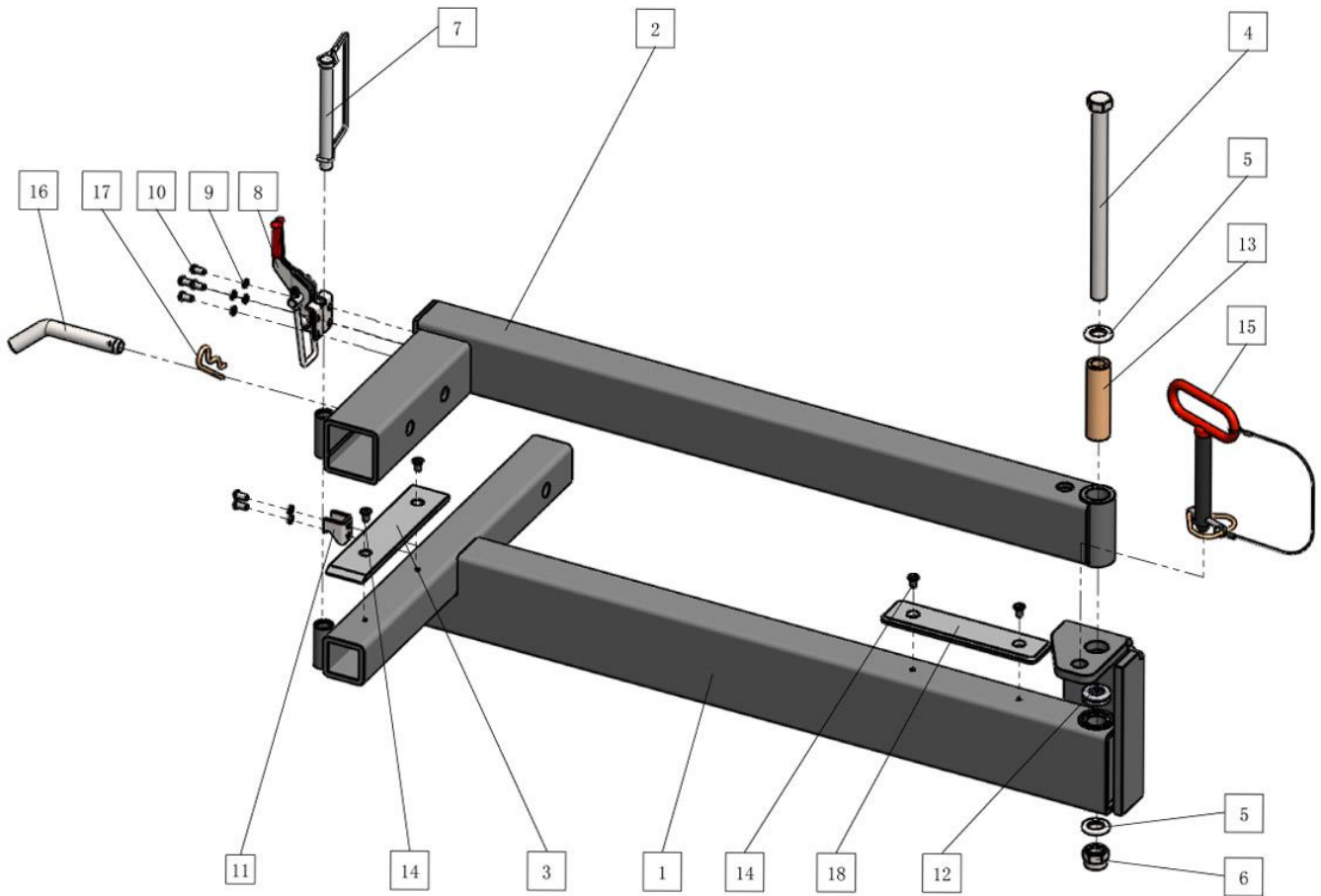
---

**MPN(s):** SWINGEXT

**SKU(s):** 334119

**UPC(s):** 840009205422

# PARTS DIAGRAM / EXPLODED VIEW



KEY	BOX	DESCRIPTION	QTY
(1)		UPPER RECEIVER HITCH TUBE	1
(2)		LOWER RECEIVER HITCH TUBE	1
(3)		UHMW LINER - 1	1
(4)		HEXA BOLT M16x240	1
(5)		FLAT WASHER 16	2
(6)		HEXA LOCK NUT M16	1
(7)		SAFETY PIN	1
(8)		QUICK BUCKLE LOCK	1
(9)		SPRING WASHER 6	6
(10)		COUNTERSUNK ROUND HEAD HEXA BOLT M6x12	6
(11)		BUCKLE LOCK BRACKET	1
(12)		BALL BEARING (51103)	1
(13)		BEARING SLEEVE	1
(14)		COUNTERSUNK HEXA BOLT M6x12	4
(15)		SAFETY PIN	1
(16)		HITCH PIN	1
(17)		COTTER PIN 3.7x65	1
(18)		UHMW LINER - 2	1

*This concludes the SWINGEXT Owner's Manual.*



*If applicable to your product, make sure to tighten all nut-and-bolt combinations before use.*

*Enjoy!*

### **DISCLAIMER**

This equipment must be used with care by capable and competent individuals under supervision, if necessary.

The use of any equipment, including this one, involves the potential risk of injury. You accept and assume full responsibility for any and all injuries, damages (both economic and non-economic), and losses of any type, which may occur, and you fully and forever release and discharge Titan, its insurers, employees, officers, directors, associates, and agents from any and all claims, demands, damages, rights of action, or causes of action, present or future, whether the same be known or unknown, anticipated, or unanticipated, resulting from or arising out of the use of said equipment.

TITAN MAKES NO WARRANTY WHATSOEVER WITH RESPECT TO THE EQUIPMENT, INCLUDING ANY WARRANTY OF MERCHANTABILITY OR WARRANTY OF FITNESS FOR A PARTICULAR PURPOSE, WHETHER EXPRESS OR IMPLIED BY LAW, COURSE OF DEALING, COURSE OF PERFORMANCE, USAGE OF TRADE OR OTHERWISE. BUYER ASSUMES ALL LIABILITY IN USE OF THE EQUIPMENT.

**NEED HELP?**

**CONTACT US FIRST.**

**1 (800) 605-8241**

[info@titandistributorsinc.com](mailto:info@titandistributorsinc.com) / [www.titanramps.com](http://www.titanramps.com)

**Business Hours: Monday–Friday • 8:00 a.m.–5:00 p.m. (CT)**