



## OWNER'S MANUAL

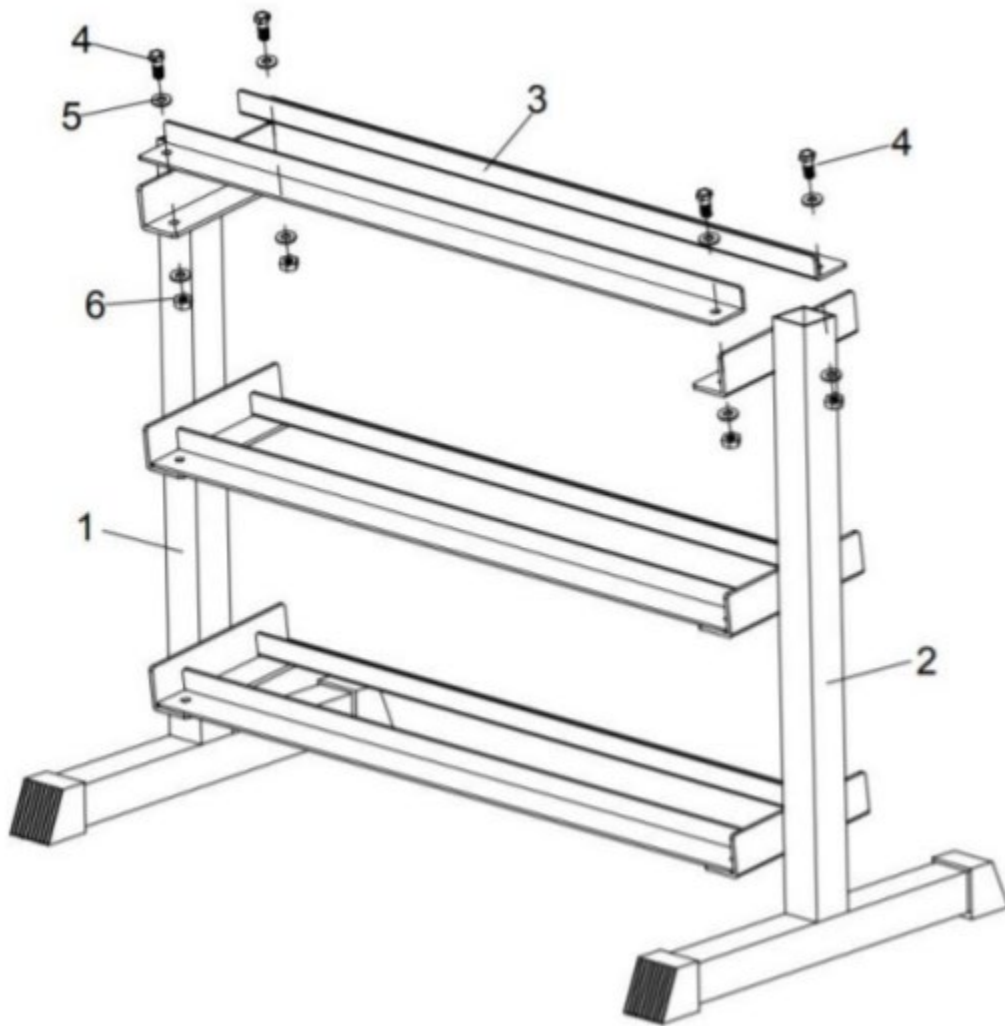
---

**MPN(s):** HEXDBB\_5-50-DBRACK\_3

**SKU(s):** 400198

**UPC(s):** 049008268142

# PARTS DIAGRAM / EXPLODED VIEW



KEY	DESCRIPTION	QTY	KEY	DESCRIPTION	QTY
(1)	LEFT STAND FRAME	1	(3)	M10X20 HEX BOLT	12
(2)	RIGHT STAND FRAME	1	(4)	M10 WASHER	24
(3)	PLATE	6	(5)	M10 HEX NUT	12



# ASSEMBLY INSTRUCTIONS

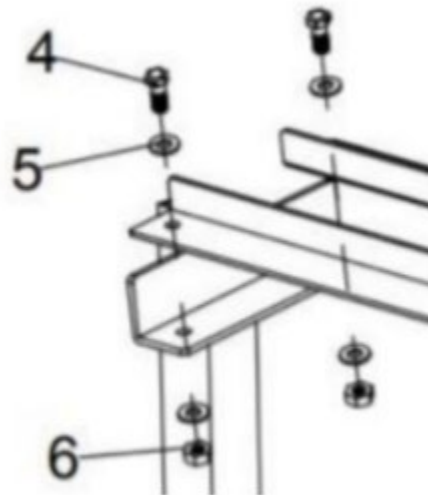
---

## 1. ATTACH THE PLATES (3) TO THE LEFT STAND FRAME (1):

Attach the Plate (3) to the Left Stand Frame (1) using M10x20 Hex Bolt (4), M10 Washer (5), and M10 Hex Nut (6). The order for assembly is M10x20 Hex Bolt (4), then M10 Washer (5), then put the bolt through the Plate (3) and Left Stand Frame (1), and finally attaching the M10 Washer (5) and M10 Hex Nut (6) on the back. Repeat this process for each Plate (3) to Left Stand Frame (1) attachment.

## 2. ATTACH THE PLATES (3) TO THE RIGHT STAND FRAME (2):

Attach the Plate (3) to the Right Stand Frame (2) using M10x20 Hex Bolt (4), M10 Washer (5), and M10 Hex Nut (6). The order for assembly is M10x20 Hex Bolt (4), then M10 Washer (5), then put the bolt through the Plate (3) and Right Stand Frame (2), and finally attaching the M10 Washer (5) and M10 Hex Nut (6) on the back. Repeat this process for each Plate (3) to Right Stand Frame (2) attachment.



# PARTS DIAGRAM / EXPLODED VIEW

---

KEY	DESCRIPTION	QTY	KEY	DESCRIPTION	QTY
(1)	5 LB RUBBER COATED HEX DB	2	(6)	30 LB RUBBER COATED HEX DB	2
(2)	10 LB RUBBER COATED HEX DB	2	(7)	35 LB RUBBER COATED HEX DB	2
(3)	15 LB RUBBER COATED HEX DB	2	(8)	40 LB RUBBER COATED HEX DB	2
(4)	20 LB RUBBER COATED HEX DB	2	(9)	45 LB RUBBER COATED HEX DB	2
(5)	25 LB RUBBER COATED HEX DB	2	(10)	50 LB RUBBER COATED HEX DB	2

# ASSEMBLY INSTRUCTIONS

---

- No Assembly Required





*This concludes the HEXDBB-RACK*

*Owner's Manual.*

*If applicable to your product, make sure to tighten  
all nut-and-bolt combinations before use.*

*Enjoy!*

### **DISCLAIMER**

This equipment must be used with care by capable and competent individuals under supervision, if necessary.

The use of any fitness equipment, including this one, involves the potential risk of injury. You accept and assume full responsibility for any and all injuries, damages (both economic and non-economic), and losses of any type, which may occur, and you fully and forever release and discharge Titan, its insurers, employees, officers, directors, associates, and agents from any and all claims, demands, damages, rights of action, or causes of action, present or future, whether the same be known or unknown, anticipated, or unanticipated, resulting from or arising out of the use of said equipment.

TITAN MAKES NO WARRANTY WHATSOEVER WITH RESPECT TO THE EQUIPMENT, INCLUDING ANY WARRANTY OF MERCHANTABILITY OR WARRANTY OF FITNESS FOR A PARTICULAR PURPOSE, WHETHER EXPRESS OR IMPLIED BY LAW, COURSE OF DEALING, COURSE OF PERFORMANCE, USAGE OF TRADE OR OTHERWISE. BUYER ASSUMES ALL LIABILITY IN USE OF THE EQUIPMENT.

**NEED HELP?**

**CONTACT US FIRST.**

**1 (800) 605-8241**

[info@titandistributorsinc.com](mailto:info@titandistributorsinc.com) / [www.titan.fitness](http://www.titan.fitness)

**Business Hours: Monday–Friday • 8:00 a.m.–5:00 p.m. (CT)**

