



TITAN
FITNESS



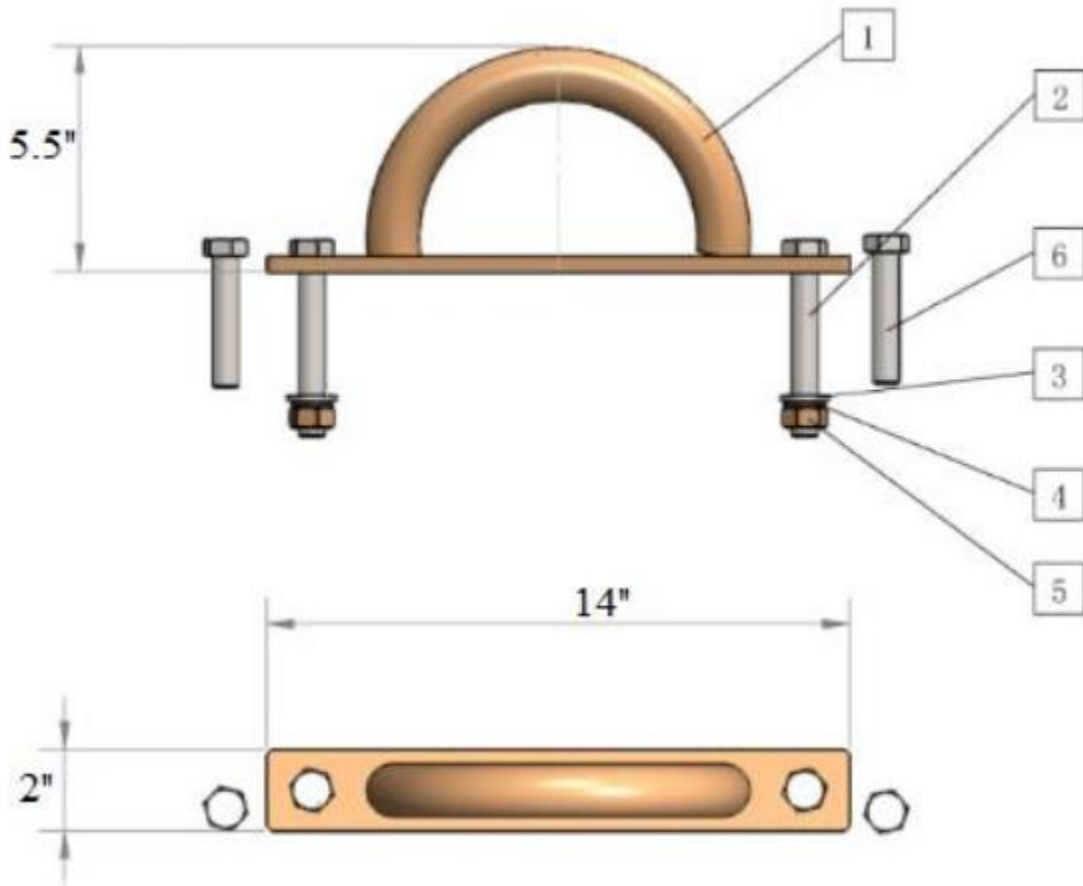
OWNER'S MANUAL

MPN(s): BRANCHOR

SKU(s): 400228

UPC(s): 719318364260

PARTS DIAGRAM / EXPLODED VIEW



Part Number	Part Description	Quantity
1	Rope Anchor	1
2	M16x110 Hex Bolt	2
3	M16 Flat Washer	2
4	M16 Spring Washer	2
5	M16 Hex Nut	2
6	M16x80 Hex Bolt	2



ASSEMBLY INSTRUCTIONS

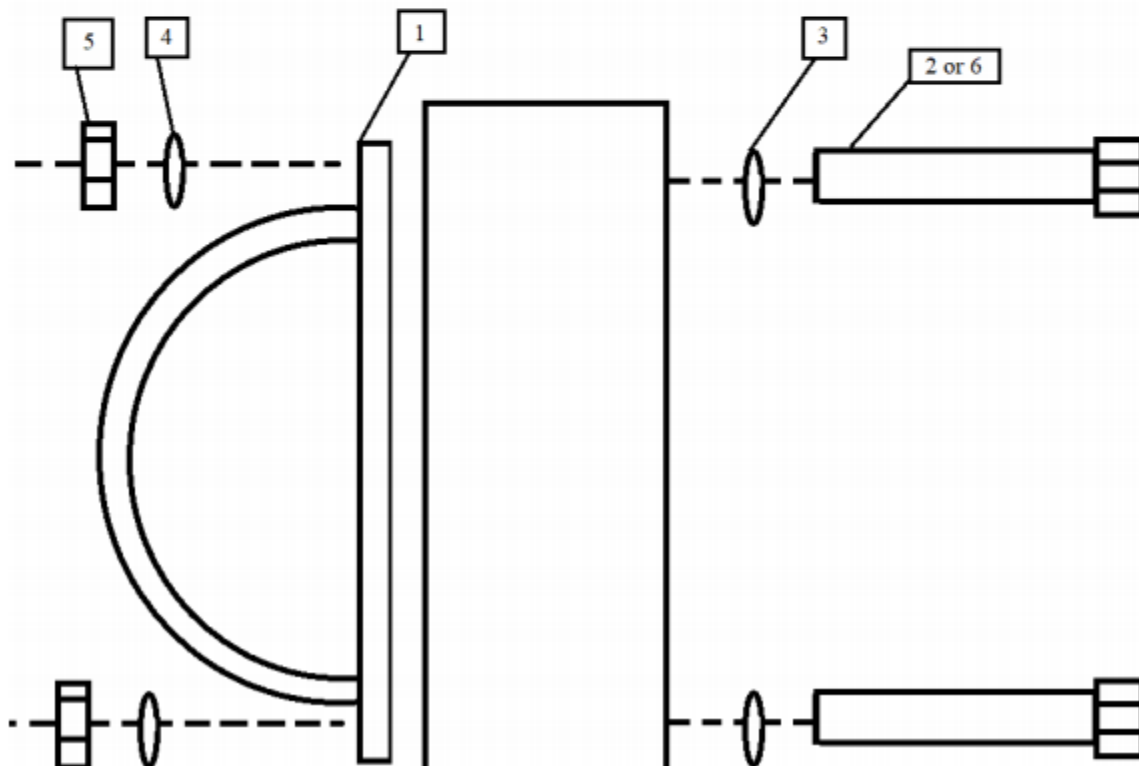
INSTALLATION INSTRUCTION

1. Secure the *Rope Anchor (1)* to the upright of your T-3 Power Rack:

Secure the *Rope Anchor (1)* to the upright of your T-3 Power Rack using *M16x80 Hex Bolt (6)*, *M16 Flat Washer (3)*, *M16 Spring Washer (4)*, and *M16 Hex Nut (5)*. The order for assembly is *M16x80 Hex Bolt (6)*, *M16 Flat Washer (3)*, then push the bolt through the *Rope Anchor (1)* and the upright of your T-3 Power Rack, *M16 Spring Washer (4)*, and then thread the *M16 Hex Nut (5)* onto the end of the bolt. Tighten the *M16 Hex Nut (5)* until the *M16 Spring Washer (4)* is compressed. Repeat this process for the remaining side of the *Rope Anchor (1)*.

2. Secure the *Rope Anchor (1)* to the upright of your X-3 Power Rack:

Secure the *Rope Anchor (1)* to the upright of your X-3 Power Rack using *M16x110 Hex Bolt (2)*, *M16 Flat Washer (3)*, *M16 Spring Washer (4)*, and *M16 Hex Nut (5)*. The order for assembly is *M16x110 Hex Bolt (2)*, *M16 Flat Washer (3)*, then push the bolt through the *Rope Anchor (1)* and the upright of your X-3 Power Rack, *M16 Spring Washer (4)*, and then thread the *M16 Hex Nut (5)* onto the end of the bolt. Tighten the *M16 Hex Nut (5)* until the *M16 Spring Washer (4)* is compressed. Repeat this process for the remaining side of the *Rope Anchor (1)*.





This concludes the BRANCHOR Owner's Manual.

If applicable to your product, make sure to tighten all nut-and-bolt combinations before use.

Enjoy!

DISCLAIMER

This equipment must be used with care by capable and competent individuals under supervision, if necessary.

The use of any fitness equipment, including this one, involves the potential risk of injury. You accept and assume full responsibility for any and all injuries, damages (both economic and non-economic), and losses of any type, which may occur, and you fully and forever release and discharge Titan, its insurers, employees, officers, directors, associates, and agents from any and all claims, demands, damages, rights of action, or causes of action, present or future, whether the same be known or unknown, anticipated, or unanticipated, resulting from or arising out of the use of said equipment.

TITAN MAKES NO WARRANTY WHATSOEVER WITH RESPECT TO THE EQUIPMENT, INCLUDING ANY WARRANTY OF MERCHANTABILITY OR WARRANTY OF FITNESS FOR A PARTICULAR PURPOSE, WHETHER EXPRESS OR IMPLIED BY LAW, COURSE OF DEALING, COURSE OF PERFORMANCE, USAGE OF TRADE OR OTHERWISE. BUYER ASSUMES ALL LIABILITY IN USE OF THE EQUIPMENT.

NEED HELP?

CONTACT US FIRST.

1 (800) 605-8241

info@titandistributorsinc.com / www.titan.fitness

Business Hours: Monday–Friday • 8:00 a.m.–5:00 p.m. (CT)

