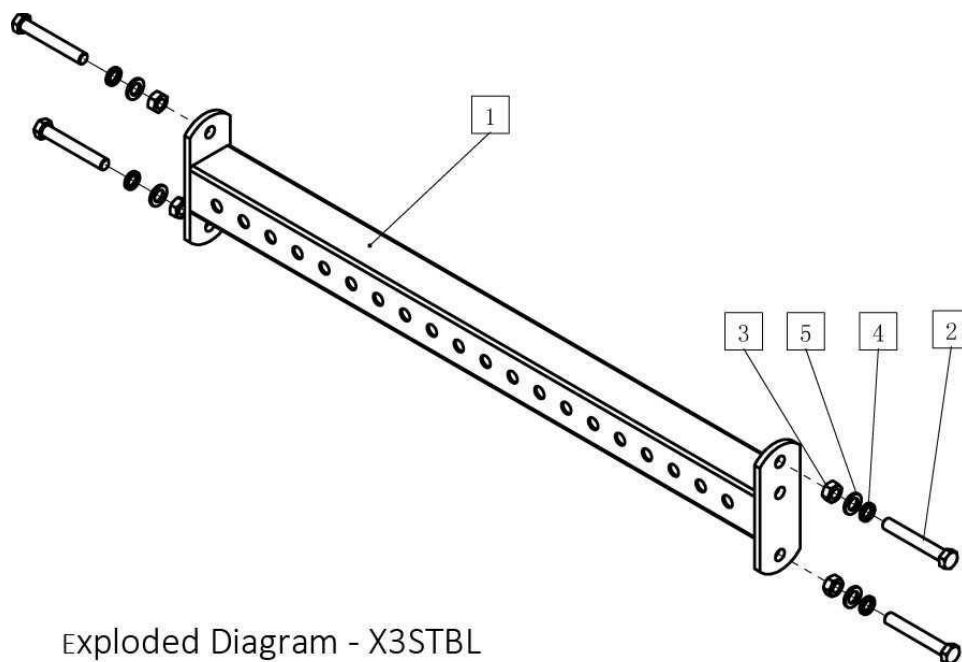




MPN: X3STBL

Parts Diagram



Exploded Diagram - X3STBL

1. Stabilizer Bar	x1
2. Hexa Bolt M16x110	x4
3. Hexa Nut M16	x4
4. Flat Washer 16	x4
5. Spring Washer 16	x4

NEED HELP?

CONTACT US FIRST.

**1 (800) 605-8241**

[info@titandistributorsinc.com](mailto:info@titandistributorsinc.com) / [www.titan.fitness](http://www.titan.fitness)

**Business Hours: Monday–Friday • 8:00 a.m.–5:00 p.m. (CT)**