



TITAN
FITNESS



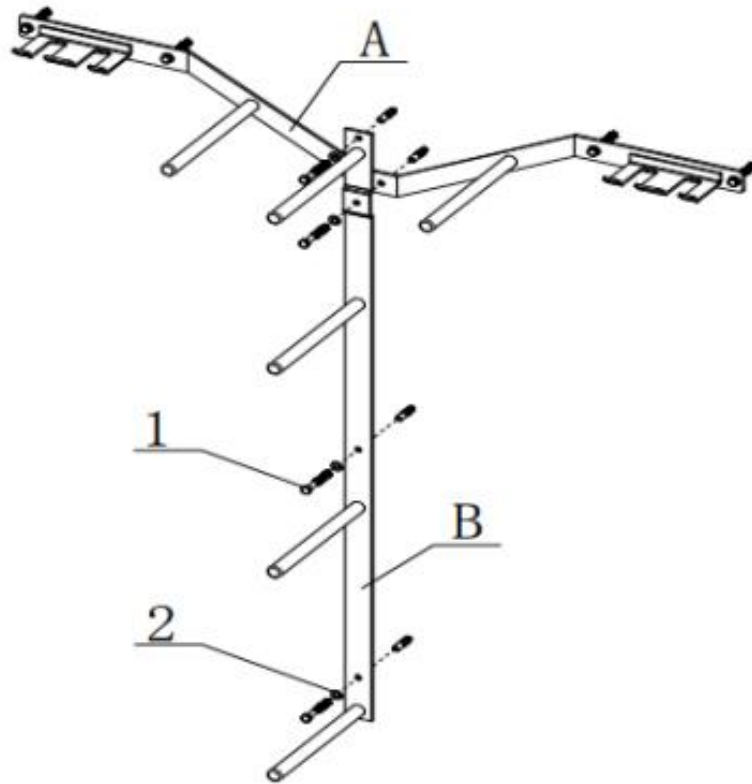
OWNER'S MANUAL

MPN(s): WALLSTORE



SKU(s): 400311

UPC(s): 049008267169



PARTS DIAGRAM / EXPLODED VIEW



PARTS LIST

<p>A UPPER FRAME 1PC</p> 	<p>B UPRIGHT FRAME 1PC</p> 
---	---

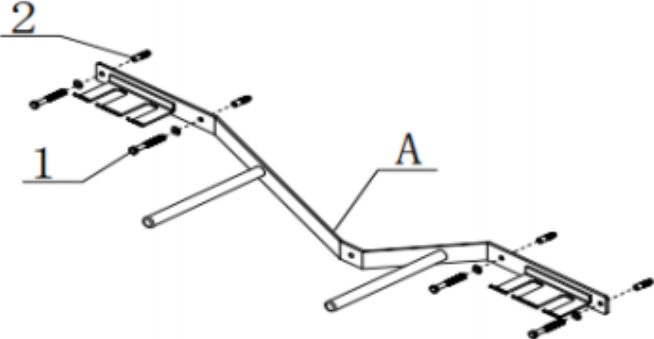
HARDWARE LIST

<p>1 LAG BOLT(M8*70) 8PCS</p> 	<p>2 WASHER(M10) 8PCS</p> 
--	--

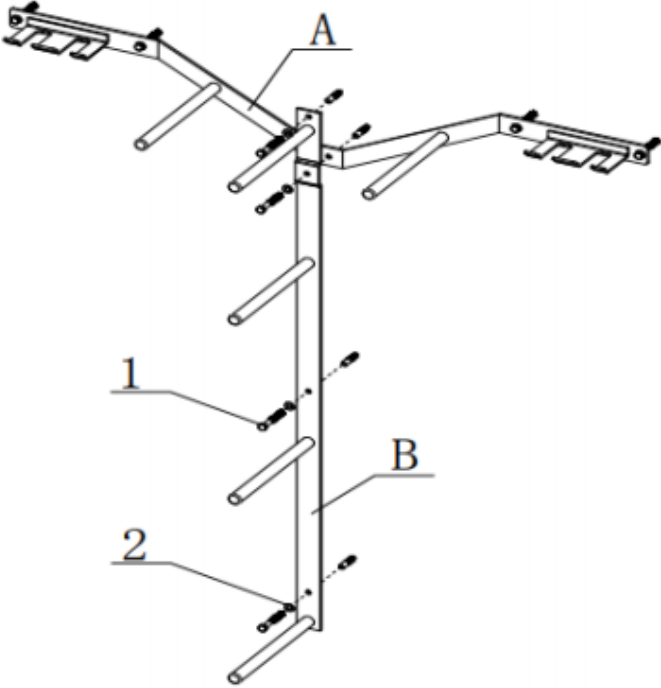


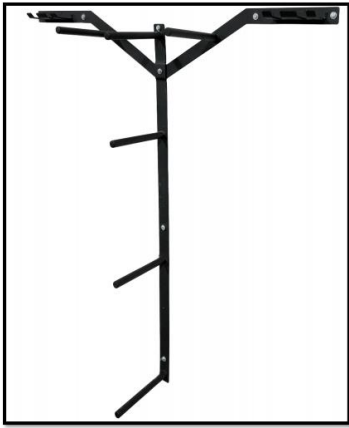
ASSEMBLY INSTRUCTIONS

STEP 1.



STEP 2.





This concludes the WALLSTORE Owner's Manual.

If applicable to your product, make sure to tighten all nut-and-bolt combinations before use.

Enjoy!

DISCLAIMER

This equipment must be used with care by capable and competent individuals under supervision, if necessary.

The use of any fitness equipment, including this one, involves the potential risk of injury. You accept and assume full responsibility for any and all injuries, damages (both economic and non-economic), and losses of any type, which may occur, and you fully and forever release and discharge Titan, its insurers, employees, officers, directors, associates, and agents from any and all claims, demands, damages, rights of action, or causes of action, present or future, whether the same be known or unknown, anticipated, or unanticipated, resulting from or arising out of the use of said equipment.

TITAN MAKES NO WARRANTY WHATSOEVER WITH RESPECT TO THE EQUIPMENT, INCLUDING ANY WARRANTY OF MERCHANTABILITY OR WARRANTY OF FITNESS FOR A PARTICULAR PURPOSE, WHETHER EXPRESS OR IMPLIED BY LAW, COURSE OF DEALING, COURSE OF PERFORMANCE, USAGE OF TRADE OR OTHERWISE. BUYER ASSUMES ALL LIABILITY IN USE OF THE EQUIPMENT.

NEED HELP?

CONTACT US FIRST.

1 (800) 605-8241

info@titandistributorsinc.com / www.titan.fitness

Business Hours: Monday–Friday • 8:00 a.m.–5:00 p.m. (CT)

