



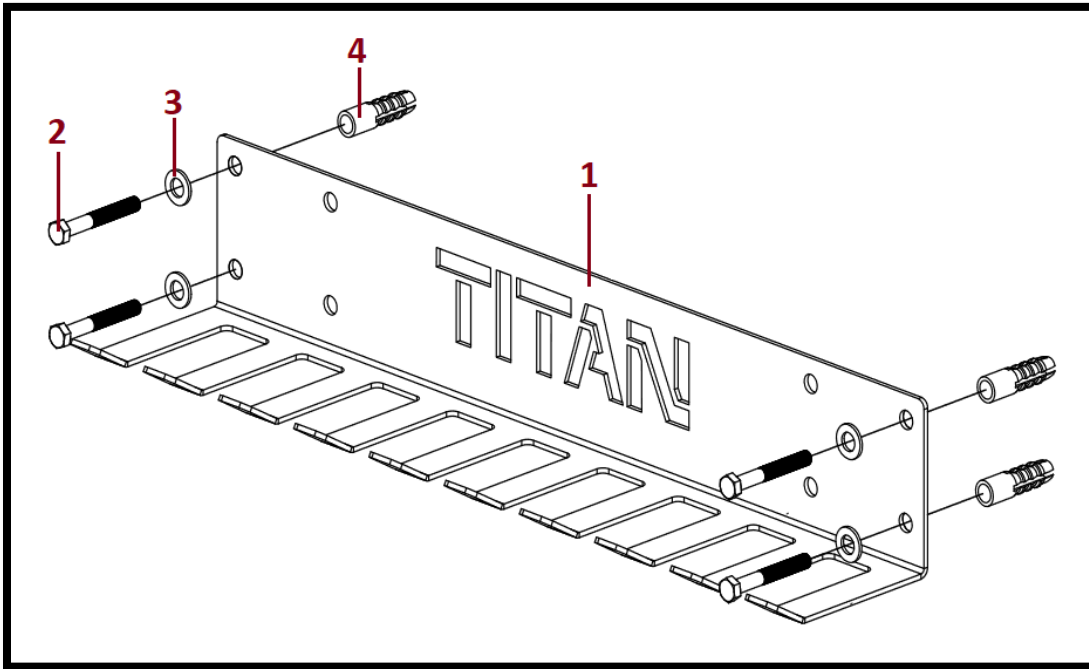
OWNER'S MANUAL

MPNs: 5BNDHLD, 8BNDHLD

SKUs: 400326, 400327

UPCs: 719318366400, 719318366417

PARTS DIAGRAM



KEY #	DESCRIPTION	QTY
(1)	MAIN FRAME	x1
(2)	M8x75 LAG BOLT	x4
(3)	M8 FLAT WASHER	x4
(4)	NYLON SLEEVE	x4

NEED HELP?

CONTACT US FIRST.

1 (800) 605-8241

info@titandistributorsinc.com / www.titan.fitness

Business Hours: Monday–Friday • 8:00 a.m.–5:00 p.m. (CT)

