



OWNER'S MANUAL

MPN(s): DLPLTFRM, DLPLTFRM-4RBBRTL, (2)4RBBRTL-DLPLTFRM, OLYPLTFRM_M, OLYPLTFRM_L, OLYPLTFRM_M-(3)4RBBRTL, OLYPLTFRM_L-(4)4RBBRTL

SKU(s): 400351, 400396, 400352, 400356, 400369, N/A, N/A

UPC(s): 719318366721, 719318369265, 719318369241, 719318384206, 719318384213, N/A, N/A







PARTS DIAGRAM: DLPLTFRM & KITS

DLPLTFRM: Deadlift Platform Metal Frame Only




DLPLTFRM-4RBBRTL: Deadlift Platform Metal Frame + 4 Floor Tiles

(2)4RBBRTL-DLPLTFRM: Deadlift Platform Metal Frame + 8 Floor Tiles

NOTE: If you are using plywood to fill empty space in your deadlift platform, make sure you cut your plywood to fit the dimensions.

A CONNECTOR 4PCS 	B FRAME A 2PCS 	C FRAME B 2PCS 
D STEEL PLATE 2PCS 	E FIXED HANDLE 4PCS 	F REINFORCE 4PCS 

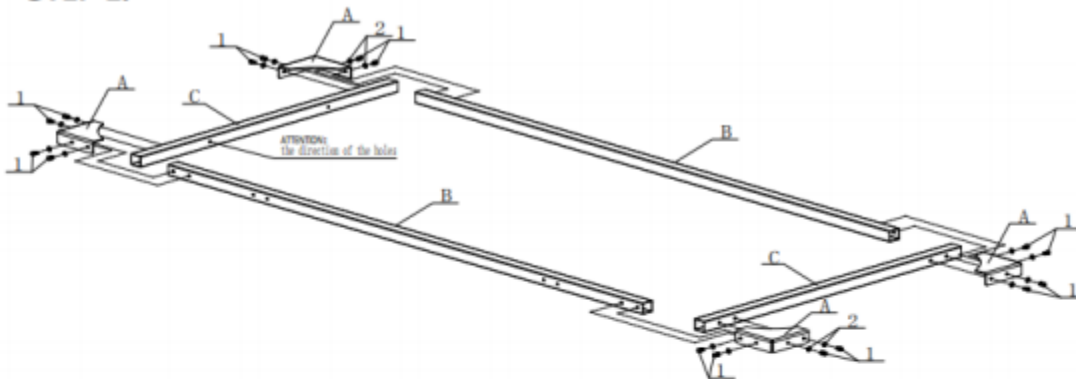
HARDWARE LIST

1 BOLT(M10*20)  28PCS	2 WASHER(M10)  32PCS	3 LAG BOLT(M8*70)  4PCS
--	---	--

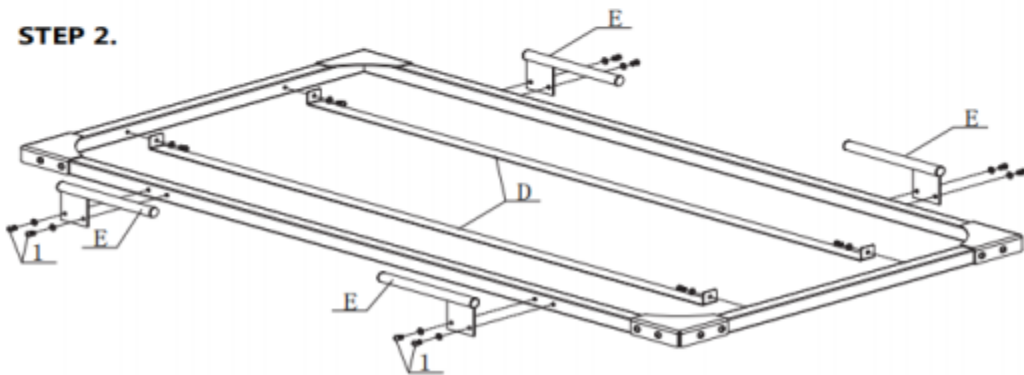


ASSEMBLY STEPS: DLPLTFRM & KITS

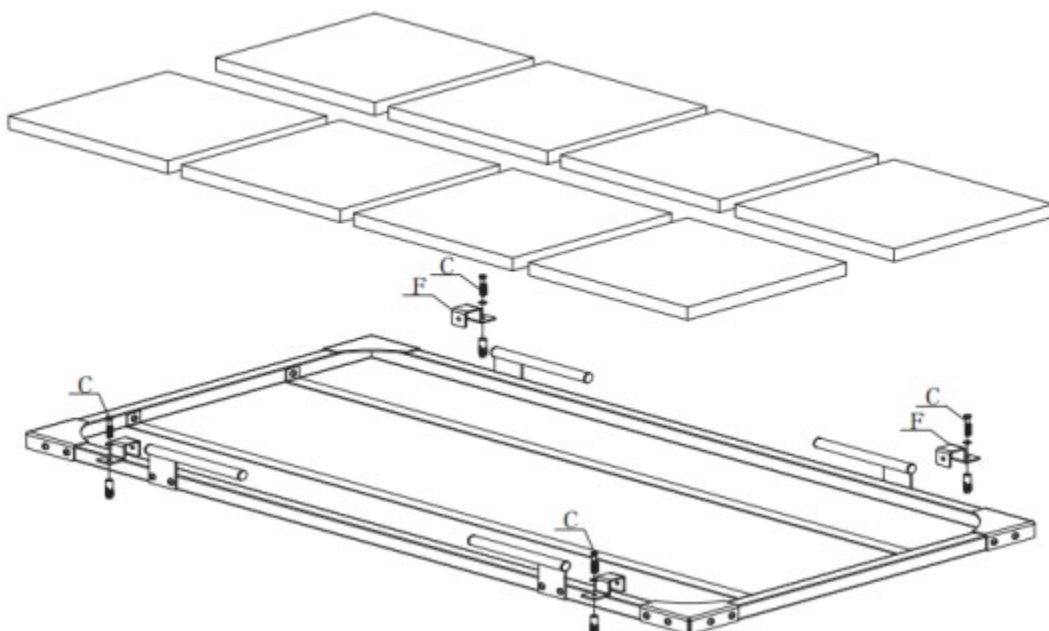
STEP 1.



STEP 2.



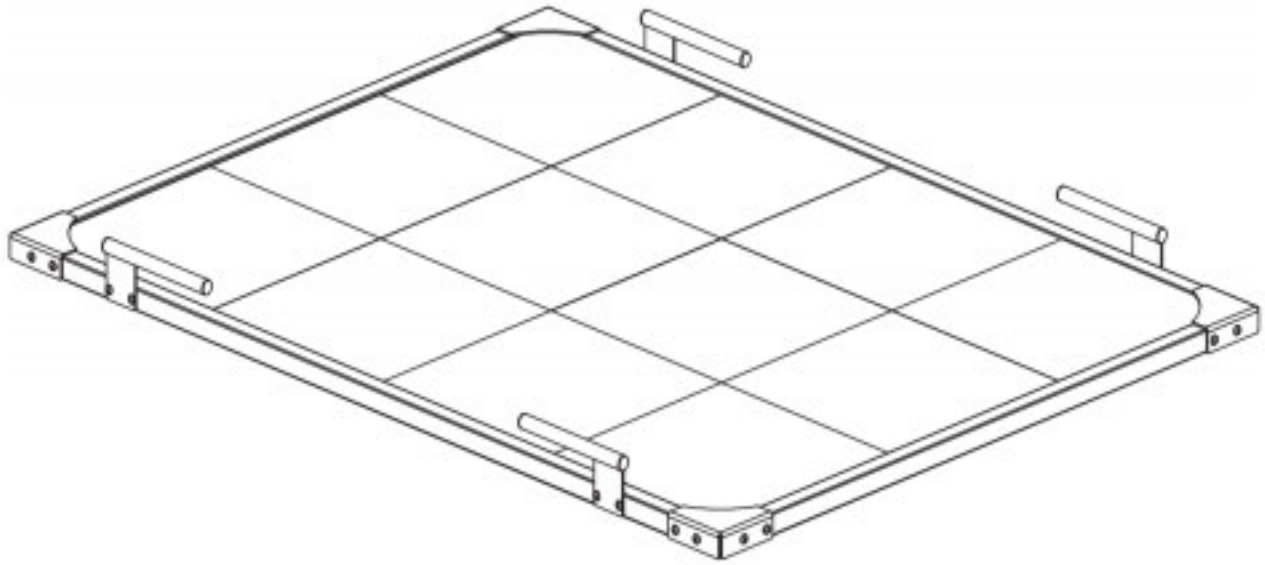
STEP 3.








PARTS DIAGRAM: OLYPLTFRM_M


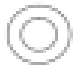
OLYPLTFRM_M: Olympic Lifting Platform (6' x 8') Only

OLYPLTFRM_M-(3)4RBBRTL: Olympic Lifting Platform (6' x 8') + 12 Floor Tiles



<p>A CONNECTOR 4PCS</p> 	<p>B FRAME A 2PCS</p> 	<p>C FRAME B 2PCS</p> 
<p>D STEEL PLATE 2PCS</p> 	<p>E FIXED HANDLE 4PCS</p> 	

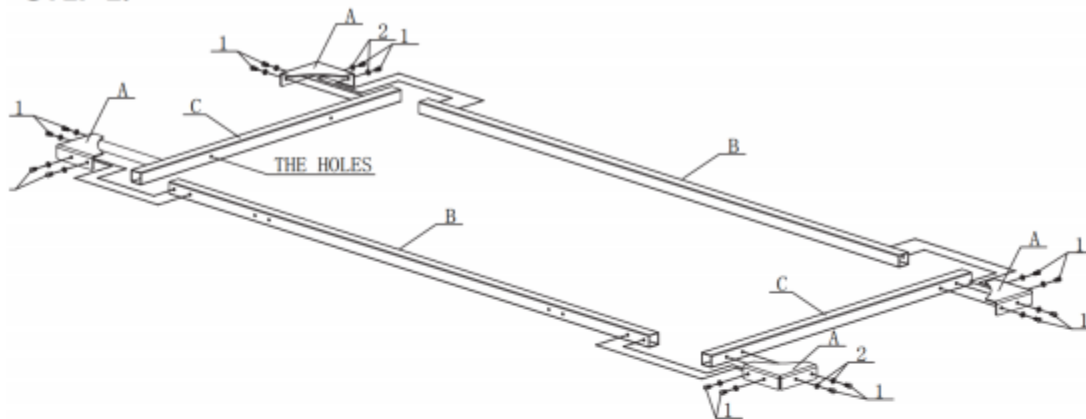
HARDWARE LIST

<p>1 BOLT(M10*20)</p>  <p>28PCS</p>	<p>2 WASHER(M10)</p>  <p>28PCS</p>
---	--

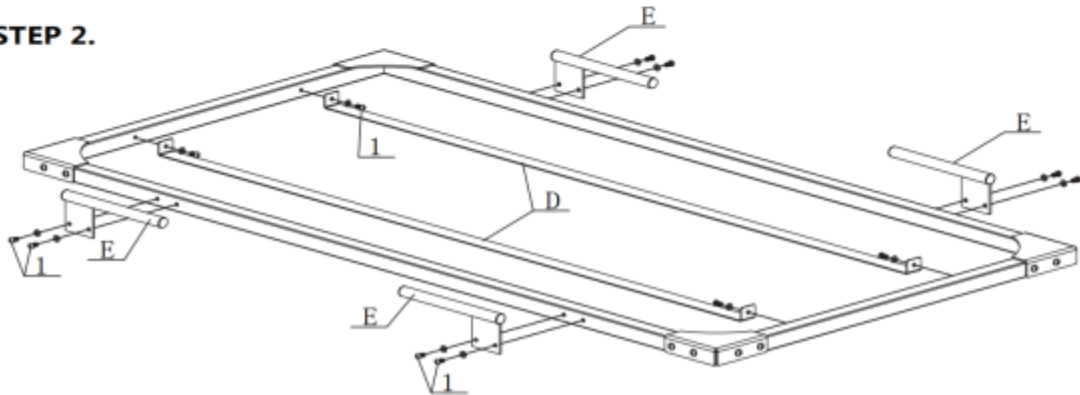


ASSEMBLY STEPS: OLPLTFRM_M

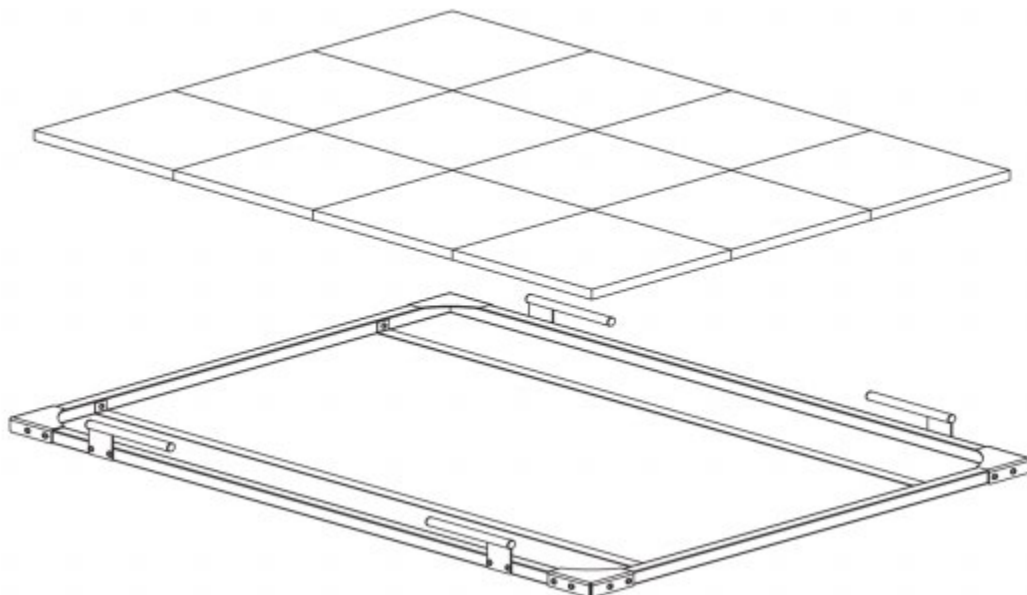
STEP 1.



STEP 2.



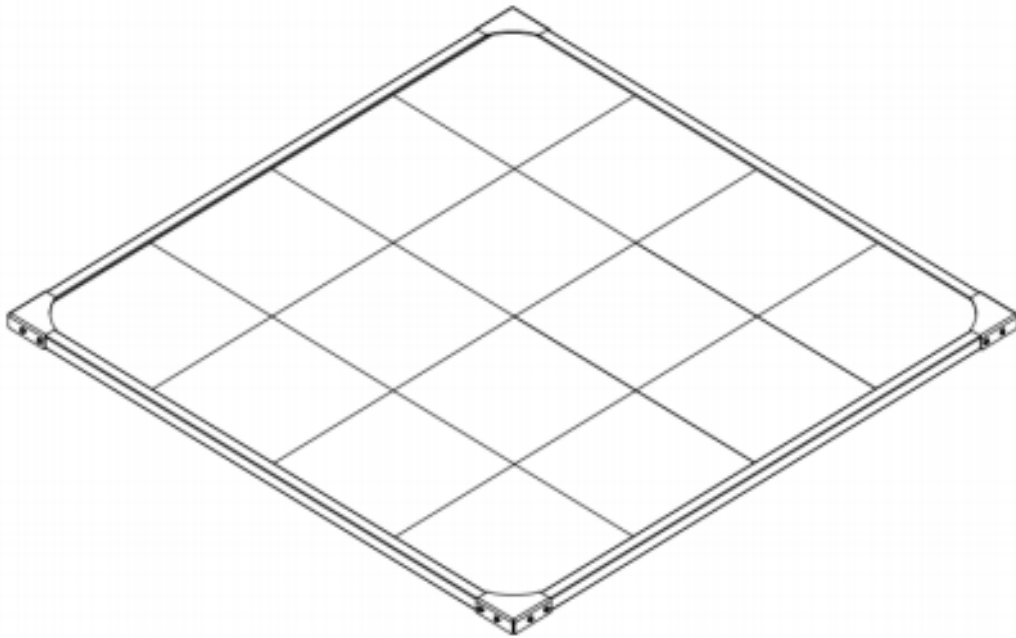
STEP 3.

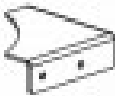




PARTS DIAGRAM: OLYPLTFRM_L



OLYPLTFRM_L: Olympic Lifting Platform (8' x 8') Only

OLYPLTFRM_L-(4)4RBBRTL: Olympic Lifting Platform (8' x 8') + 16 Floor Tiles



<p>A CONNECTOR 4PCS</p> 	<p>B FRAME A 2PCS</p> 	<p>C FRAME B 2PCS</p> 
--	---	--

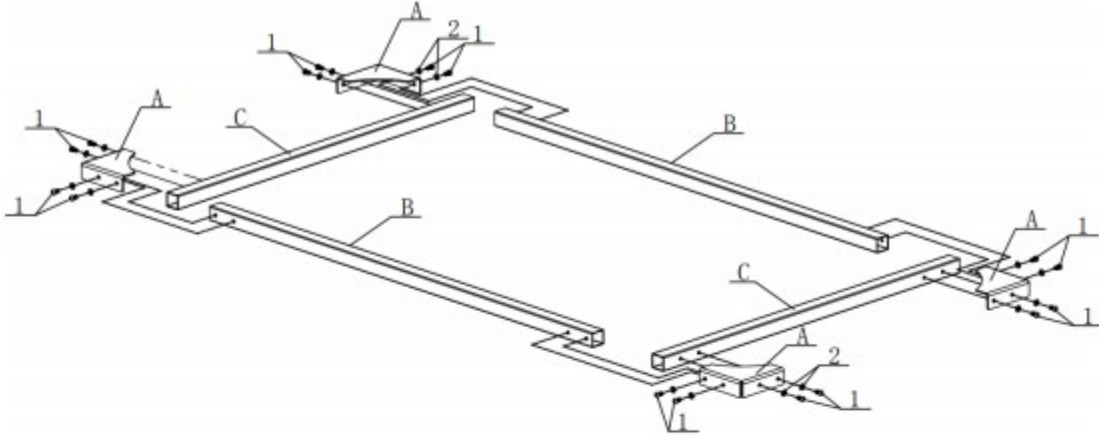
HARDWARE LIST

<p>1</p> <p>BOLT(M10*20)</p>  <p>16PCS</p>	<p>2</p> <p>WASHER(M10)</p>  <p>16PCS</p>
--	---

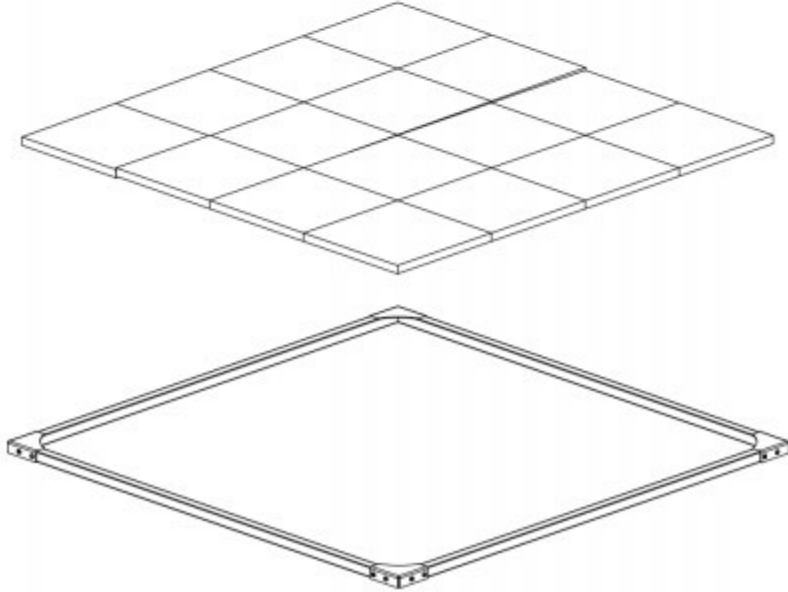


ASSEMBLY STEPS: OLPLTFRM_L

STEP 1.



STEP 2.





This concludes the DLPLTFRM Owner's Manual.

If applicable to your product, make sure to tighten all nut-and-bolt combinations before use.

Enjoy!

DISCLAIMER

This equipment must be used with care by capable and competent individuals under supervision, if necessary.

The use of any fitness equipment, including this one, involves the potential risk of injury. You accept and assume full responsibility for any and all injuries, damages (both economic and non-economic), and losses of any type, which may occur, and you fully and forever release and discharge Titan, its insurers, employees, officers, directors, associates, and agents from any and all claims, demands, damages, rights of action, or causes of action, present or future, whether the same be known or unknown, anticipated, or unanticipated, resulting from or arising out of the use of said equipment.

TITAN MAKES NO WARRANTY WHATSOEVER WITH RESPECT TO THE EQUIPMENT, INCLUDING ANY WARRANTY OF MERCHANTABILITY OR WARRANTY OF FITNESS FOR A PARTICULAR PURPOSE, WHETHER EXPRESS OR IMPLIED BY LAW, COURSE OF DEALING, COURSE OF PERFORMANCE, USAGE OF TRADE OR OTHERWISE. BUYER ASSUMES ALL LIABILITY IN USE OF THE EQUIPMENT.

NEED HELP?

CONTACT US FIRST.

1 (800) 605-8241

info@titandistributorsinc.com / www.titan.fitness

Business Hours: Monday–Friday • 8:00 a.m.–5:00 p.m. (CT)

