



TITAN
FITNESS



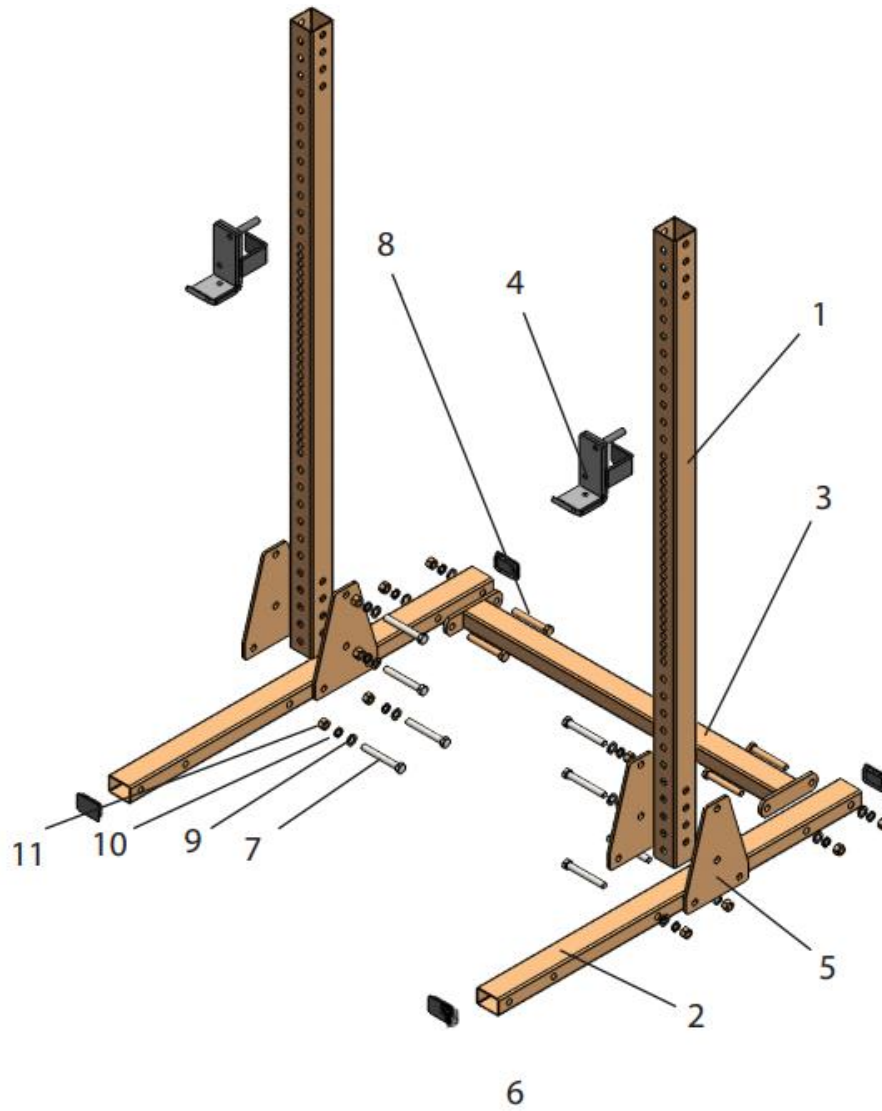
OWNER'S MANUAL

MPN(s): X3SQST1-X3SQST2

SKU(s): 400423

UPC(s): 049008265783

PARTS DIAGRAM / EXPLODED VIEW



Part	Description	Qty.
1	Upright Pole	2
2	Bottom Side Brace	2
3	Bottom Back Brace	1
4	X3 JHook	2
5	Gusset Plate	4
6	Plastic Tube Cap	2
7	Hex Bolt M16 x 120	8
8	Hex Bolt M16 x 110	4
9	Spring Washer	12
10	Flat Washer	12
11	Hex Nut M16	12





This concludes the X3SQST1-X3SQST2 Owner's Manual.

If applicable to your product, make sure to tighten all nut-and-bolt combinations before use.

Enjoy!

DISCLAIMER

This equipment must be used with care by capable and competent individuals under supervision, if necessary.

The use of any fitness equipment, including this one, involves the potential risk of injury. You accept and assume full responsibility for any and all injuries, damages (both economic and non-economic), and losses of any type, which may occur, and you fully and forever release and discharge Titan, its insurers, employees, officers, directors, associates, and agents from any and all claims, demands, damages, rights of action, or causes of action, present or future, whether the same be known or unknown, anticipated, or unanticipated, resulting from or arising out of the use of said equipment.

TITAN MAKES NO WARRANTY WHATSOEVER WITH RESPECT TO THE EQUIPMENT, INCLUDING ANY WARRANTY OF MERCHANTABILITY OR WARRANTY OF FITNESS FOR A PARTICULAR PURPOSE, WHETHER EXPRESS OR IMPLIED BY LAW, COURSE OF DEALING, COURSE OF PERFORMANCE, USAGE OF TRADE OR OTHERWISE. BUYER ASSUMES ALL LIABILITY IN USE OF THE EQUIPMENT.

NEED HELP?

CONTACT US FIRST.

1 (800) 605-8241

info@titandistributorsinc.com / www.titan.fitness

Business Hours: Monday–Friday • 8:00 a.m.–5:00 p.m. (CT)

