



TITAN
FITNESS



OWNER'S MANUAL



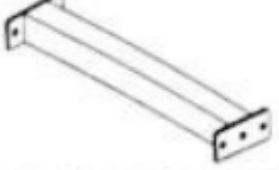
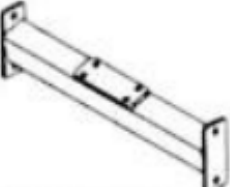


MPN(s): ROWPLTFRM

SKU(s): 400476

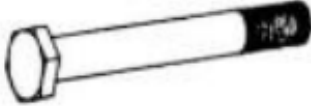




UPC(s): 719318368114

PARTS DIAGRAM / EXPLODED VIEW

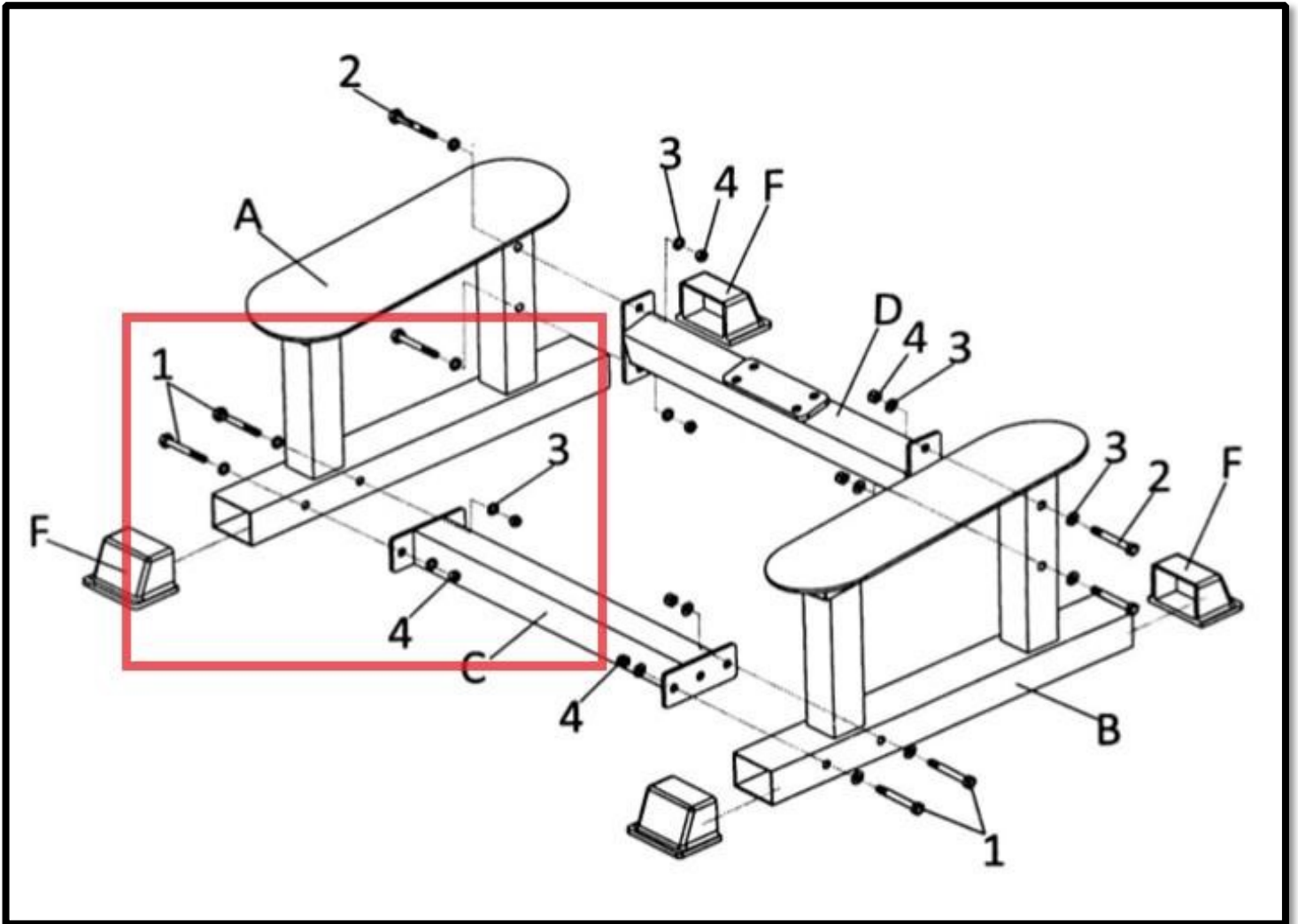
PARTS LIST

A RIGHT STAND FRAME 1PC 	B LEFT STAND FRAME 1PC 	C CONNECT TUBE1 1PC 
D CONNECT TUBE2 1PC 	E RUBBER MAT 1PC  (PRE ASSEMBLED)	F FOOT CAP 4PCS 

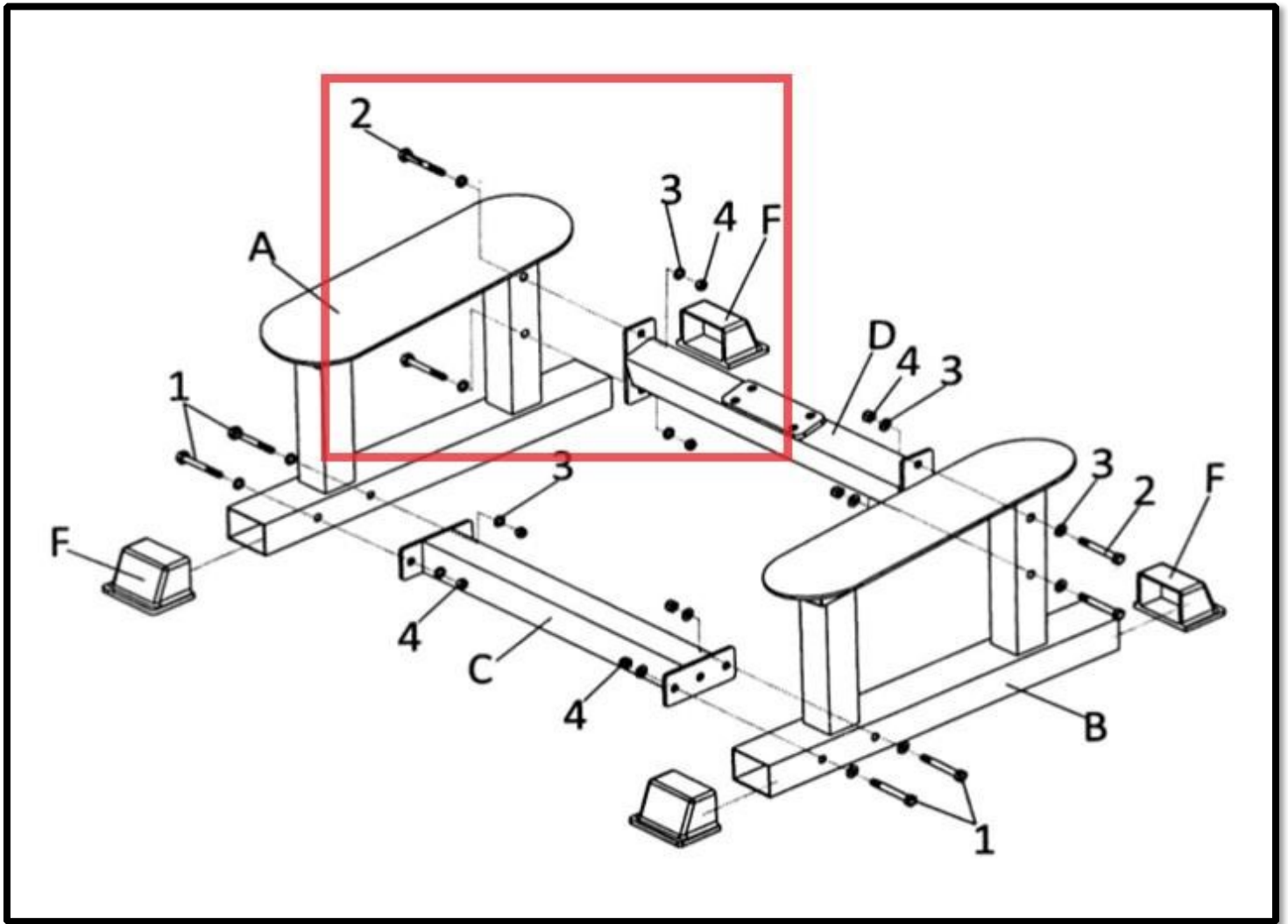
HARDWARE LIST

1 BOLT(M10*90) 4PCS 	2 BOLT(M10*70) 4PCS 	3 WASHER(M10) 16PCS 
4 NYLON NUT(M10) 8PCS 	5 BOLT(M6*10) 4PCS  (PRE ASSEMBLED)	

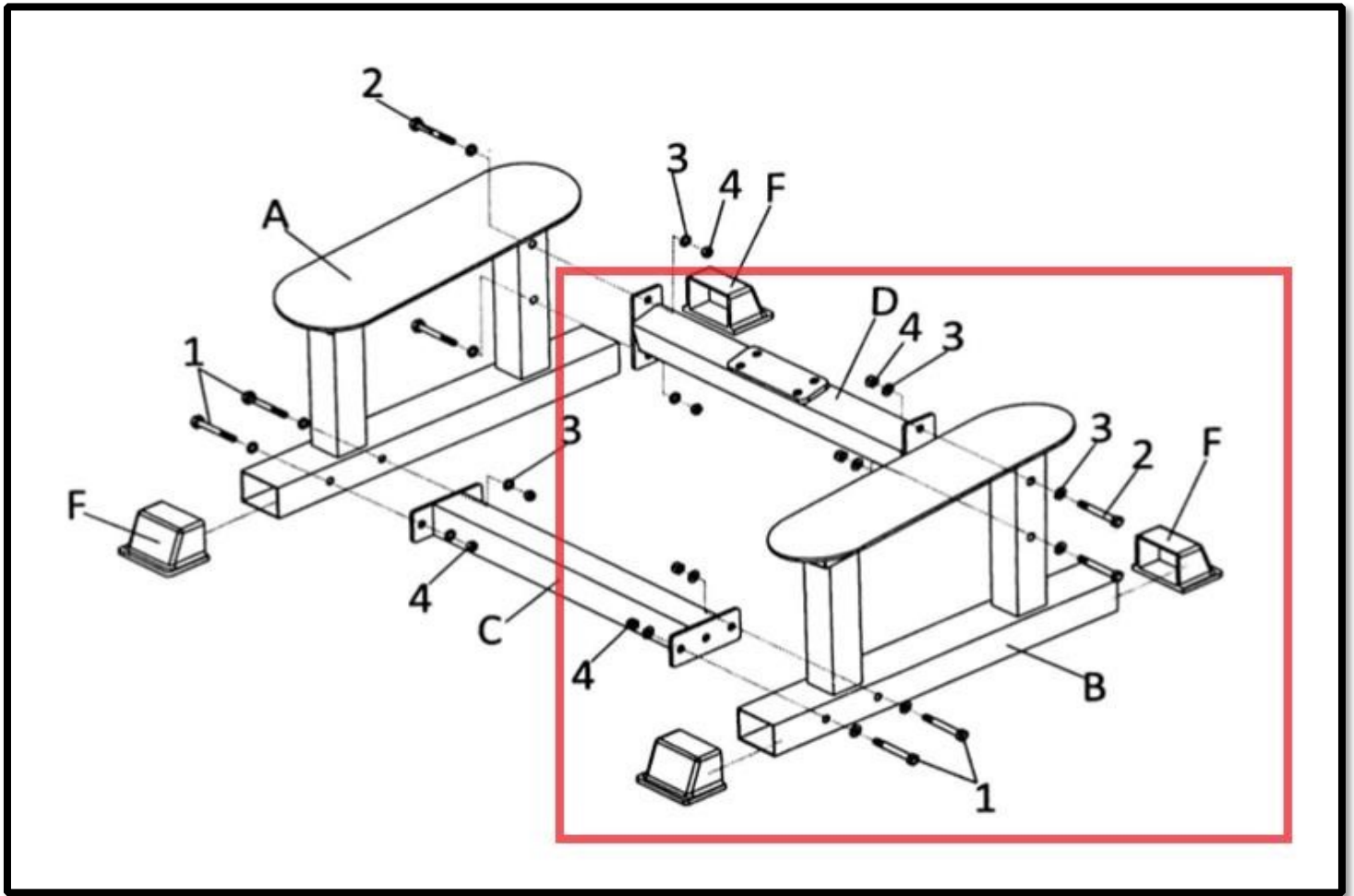
ASSEMBLY INSTRUCTIONS



1. Attach the **CONNECT TUBE1 (C)** to the **RIGHT STAND FRAME (A)**, and then secure them with the following hardware: two **M10x90 BOLTS (1)**, four **M10 WASHERS (3)**, and two **M10 NYLON NUTS (4)**.



2. Attach the **CONNECT TUBE2 (D)** to the **RIGHT STAND FRAME (A)**, and then secure them with the following hardware: two **M10x70 BOLTS (2)**, four **M10 WASHERS (3)**, and two **M10 NYLON NUTS (4)**.



3. Attach the **CONNECT TUBE1 (C)** to the **LEFT STAND FRAME (B)**, and then secure them with the following hardware: two **M10x90 BOLTS (1)**, four **M10 WASHERS (3)**, and two **M10 NYLON NUTS (4)**.
4. Attach the **CONNECT TUBE2 (D)** to the **LEFT STAND FRAME (B)**, and then secure them with the following hardware: two **M10x70 BOLTS (2)**, four **M10 WASHERS (3)**, and two **M10 NYLON NUTS (4)**.
5. Lastly, place the **FOOT CAPS (F)** on the base ends of the **RIGHT STAND FRAME (A)** and the **LEFT STAND FRAME (B)**.



*This concludes the ROWPLTFRM Owner's Manual.
If applicable to your product, make sure to tighten all nut-and-bolt combinations before use.*

Enjoy!

DISCLAIMER

This equipment must be used with care by capable and competent individuals under supervision, if necessary.

The use of any fitness equipment, including this one, involves the potential risk of injury. You accept and assume full responsibility for any and all injuries, damages (both economic and non-economic), and losses of any type, which may occur, and you fully and forever release and discharge Titan, its insurers, employees, officers, directors, associates, and agents from any and all claims, demands, damages, rights of action, or causes of action, present or future, whether the same be known or unknown, anticipated, or unanticipated, resulting from or arising out of the use of said equipment.

TITAN MAKES NO WARRANTY WHATSOEVER WITH RESPECT TO THE EQUIPMENT, INCLUDING ANY WARRANTY OF MERCHANTABILITY OR WARRANTY OF FITNESS FOR A PARTICULAR PURPOSE, WHETHER EXPRESS OR IMPLIED BY LAW, COURSE OF DEALING, COURSE OF PERFORMANCE, USAGE OF TRADE OR OTHERWISE. BUYER ASSUMES ALL LIABILITY IN USE OF THE EQUIPMENT.

NEED HELP?

CONTACT US FIRST.

1 (800) 605-8241

info@titandistributorsinc.com / www.titan.fitness

Business Hours: Monday–Friday • 8:00 a.m.–5:00 p.m. (CT)

