



TITAN
FITNESS



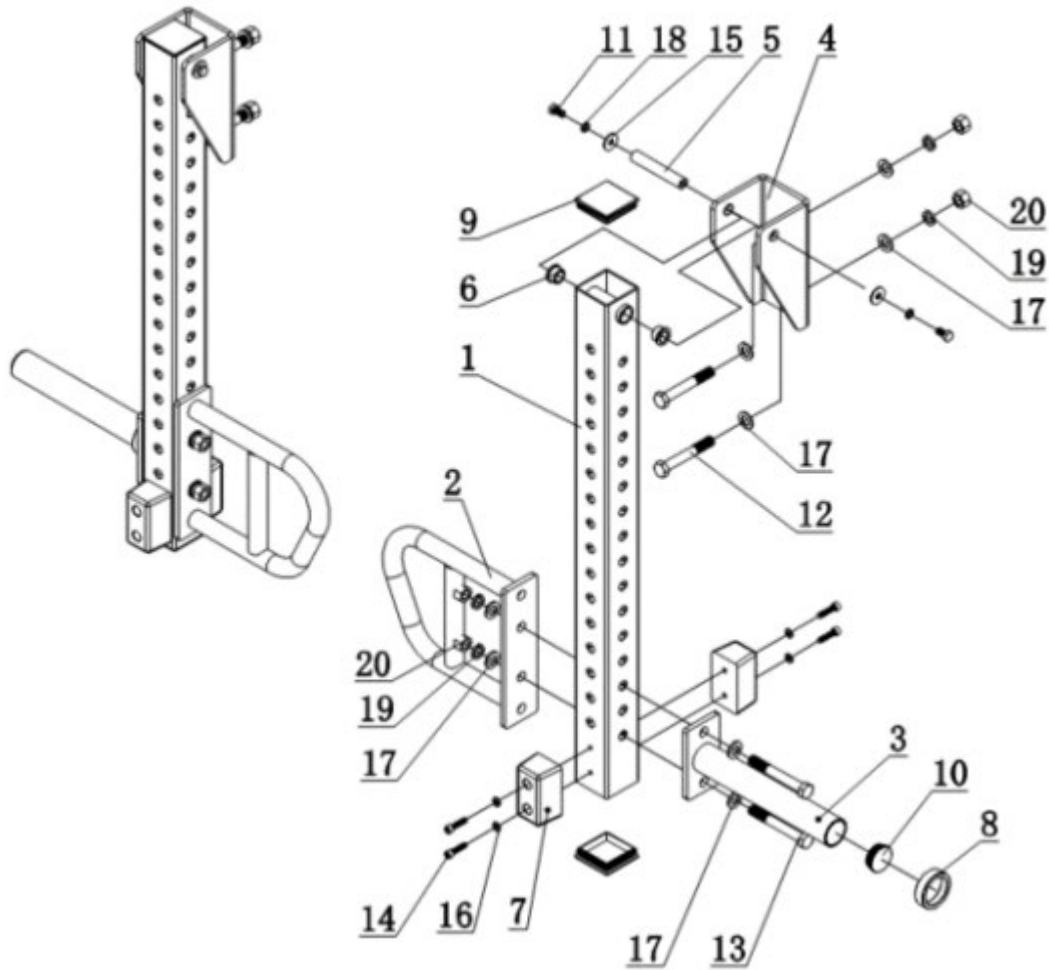
OWNER'S MANUAL

MPN(s): LEVERARMT3, LEVERARMX3

SKU(s): 400478, 400479

UPC(s): 719318368541, 719318368503

PARTS DIAGRAM / EXPLODED VIEW



KEY	DESCRIPTION	QTY	KEY	DESCRIPTION	QTY
(1)	MAIN FRAME	2	(11)	HEX BOLT M10*20	4
(2)	HANDLEBAR FRAME	2	(12)	HEX BOLT M16*95	4
(3)	BUMPER PLATE	2	(13)	HEX BOLT M16*110	4
(4)	U-STYLE PLATE	2	(14)	HEX BOLT M8*35	8
(5)	AXIS 19*88*M10	2	(15)	FLAT WASHER 17*30*3	16
(6)	METAL BUSHING 31*14*19.2*16	4	(16)	FLAT WASHER 9*16*1.6	8
(7)	STOPPER	4	(17)	FLAT WASHER 10.5*30*2.5	4
(8)	RUBBER RING 65*49.5*18	2	(18)	SPRING WASHER 12	4
(9)	END CAP SQUARE 50*3MM	4	(19)	SPRING WASHER 12	8
(10)	END CAP 48*2MM	2	(20)	FLAT NUT M16	8





This concludes the LEVERARM Owner's Manual.

If applicable to your product, make sure to tighten all nut-and-bolt combinations before use.

Enjoy!

DISCLAIMER

This equipment must be used with care by capable and competent individuals under supervision, if necessary.

The use of any fitness equipment, including this one, involves the potential risk of injury. You accept and assume full responsibility for any and all injuries, damages (both economic and non-economic), and losses of any type, which may occur, and you fully and forever release and discharge Titan, its insurers, employees, officers, directors, associates, and agents from any and all claims, demands, damages, rights of action, or causes of action, present or future, whether the same be known or unknown, anticipated, or unanticipated, resulting from or arising out of the use of said equipment.

TITAN MAKES NO WARRANTY WHATSOEVER WITH RESPECT TO THE EQUIPMENT, INCLUDING ANY WARRANTY OF MERCHANTABILITY OR WARRANTY OF FITNESS FOR A PARTICULAR PURPOSE, WHETHER EXPRESS OR IMPLIED BY LAW, COURSE OF DEALING, COURSE OF PERFORMANCE, USAGE OF TRADE OR OTHERWISE. BUYER ASSUMES ALL LIABILITY IN USE OF THE EQUIPMENT.

NEED HELP?

CONTACT US FIRST.

1 (800) 605-8241

info@titandistributorsinc.com / www.titan.fitness

Business Hours: Monday–Friday • 8:00 a.m.–5:00 p.m. (CT)

