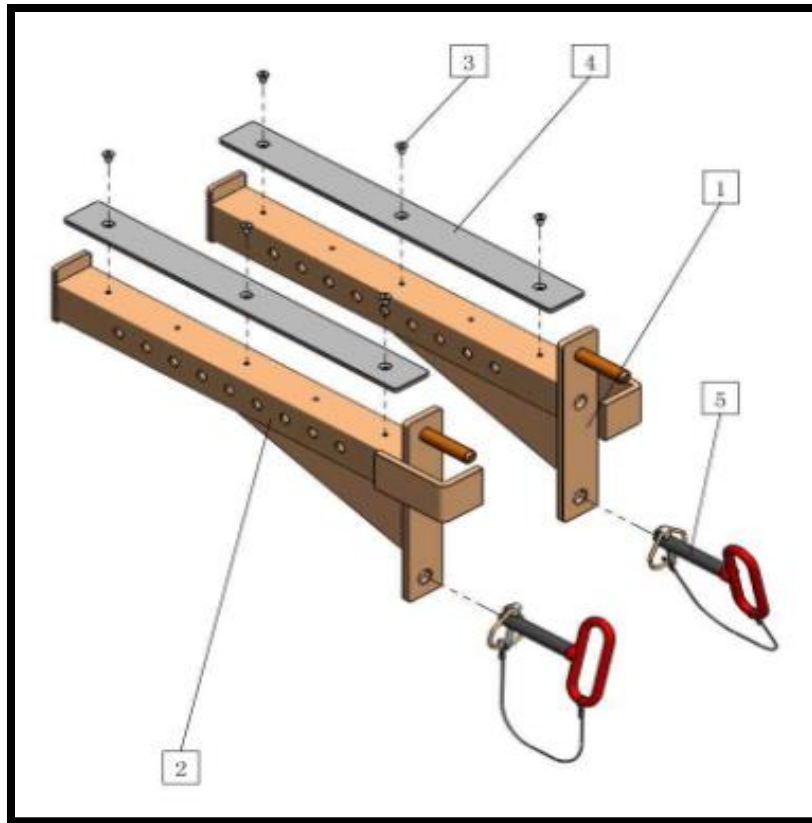




**MPN: X2SQSA**

Parts Diagram





KEY #	DESCRIPTION	QTY
(1)	X2 SPOTTER ARM – LEFT	x1
(2)	X2 SPOTTER ARM – RIGHT	x1
(3)	M6x10 COUNTERSUNK HEX BOLT	x6
(4)	UHMW PAD	x2
(5)	Φ16x80 PIN	x2

NEED HELP?

CONTACT US FIRST.

**1 (800) 605-8241**

[info@titandistributorsinc.com](mailto:info@titandistributorsinc.com) / [www.titan.fitness](http://www.titan.fitness)

**Business Hours: Monday–Friday • 8:00 a.m.–5:00 p.m. (CT)**