



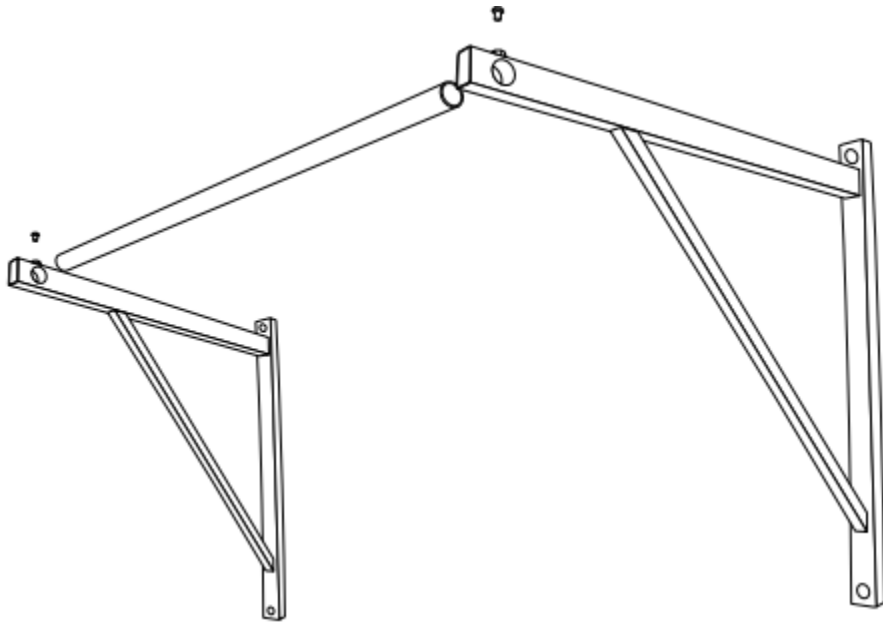
OWNER'S MANUAL

MPN(s): PULLUPBARHD

SKU(s): 400510

UPC(s): 840009207716

PARTS DIAGRAM / EXPLODED VIEW



KEY	BOX	DESCRIPTION	QTY
1	1	BAR	1
1	1	BRACKETS	2
1	1	HEX BOLTS	2

WALL MOUNTING HARDWARE NOT INCLUDED

NOTE: Necessary hardware may vary according to your mounting surface.

Consult your local hardware store for the proper mounting hardware.



H A R D W A R E S U G G E S T I O N

WOOD STUD HARDWARE

- Proper hardware for installation into wood wall studs needs to meet or exceed the minimum of 3" x 3/8" lag bolts or wood anchoring bolts.
- It is recommended to be used with a wall anchor when applicable.
- Washers are recommended to be used wherever hardware meets the surface of the mounting bracket.

CONCRETE/CEMENT WALL HARDWARE

- Proper hardware installation into concrete or cement requires concrete wall bolts and anchors.
- Hardware needs to meet or exceed a minimum of 3" x 3/8" for bolts and requires concrete anchors be used.
- Washers are recommended to be used wherever hardware meets the surface of the mounting bracket.





Can be mounted onto a wall or ceiling

This concludes the PULLUPBARHD Owner's Manual.

If applicable to your product, make sure to tighten all nut-and-bolt combinations before use.

Enjoy!

DISCLAIMER

This equipment must be used with care by capable and competent individuals under supervision, if necessary.

The use of any fitness equipment, including this one, involves the potential risk of injury. You accept and assume full responsibility for any and all injuries, damages (both economic and non-economic), and losses of any type, which may occur, and you fully and forever release and discharge Titan, its insurers, employees, officers, directors, associates, and agents from any and all claims, demands, damages, rights of action, or causes of action, present or future, whether the same be known or unknown, anticipated, or unanticipated, resulting from or arising out of the use of said equipment.

TITAN MAKES NO WARRANTY WHATSOEVER WITH RESPECT TO THE EQUIPMENT, INCLUDING ANY WARRANTY OF MERCHANTABILITY OR WARRANTY OF FITNESS FOR A PARTICULAR PURPOSE, WHETHER EXPRESS OR IMPLIED BY LAW, COURSE OF DEALING, COURSE OF PERFORMANCE, USAGE OF TRADE OR OTHERWISE. BUYER ASSUMES ALL LIABILITY IN USE OF THE EQUIPMENT.

NEED HELP?

CONTACT US FIRST.

1 (800) 605-8241

info@titandistributorsinc.com / www.titan.fitness

Business Hours: Monday–Friday • 8:00 a.m.–5:00 p.m. (CT)

