

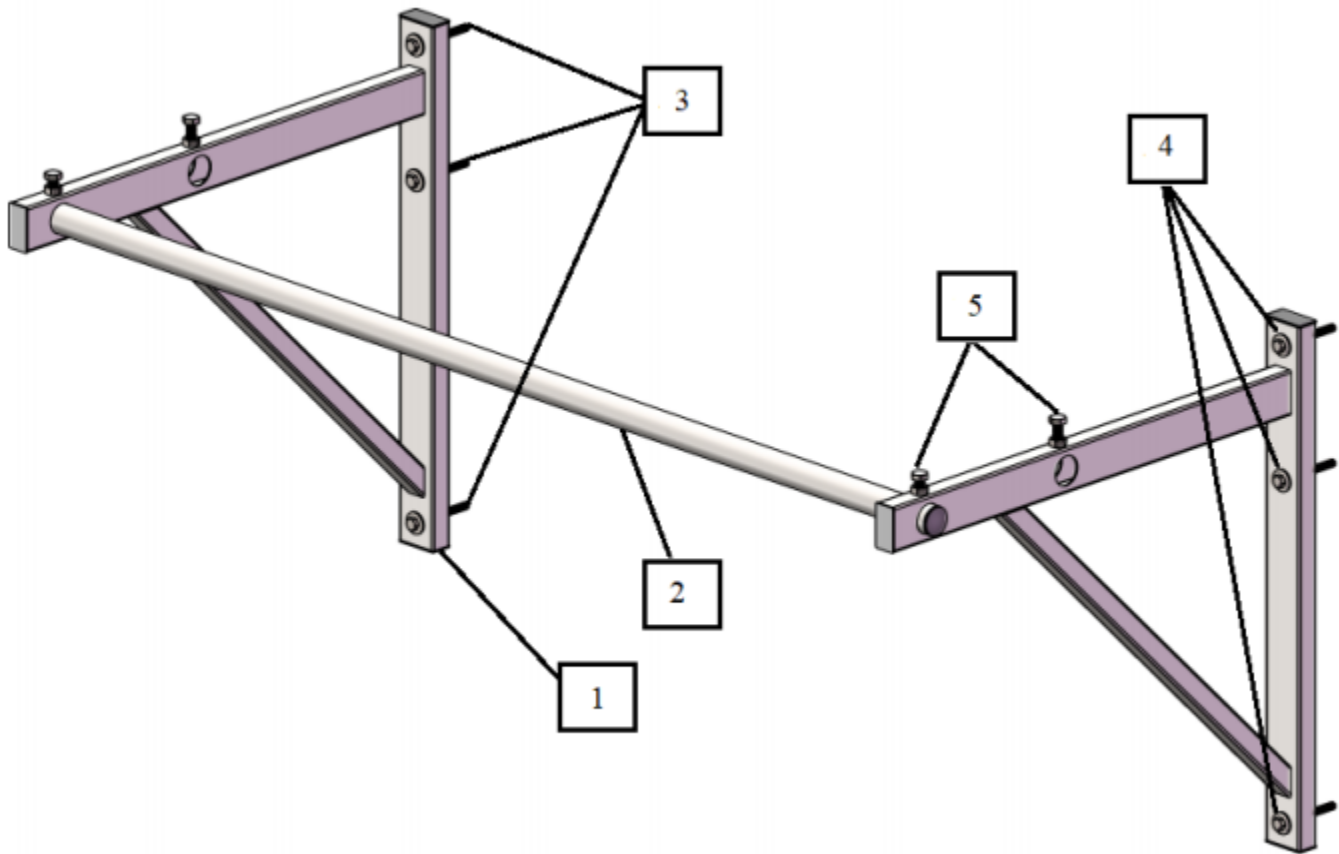
OWNER'S MANUAL

MPN(s): PULLUPBAR1422

SKU(s): 400513

UPC(s): 049008266919

PARTS DIAGRAM / EXPLODED VIEW



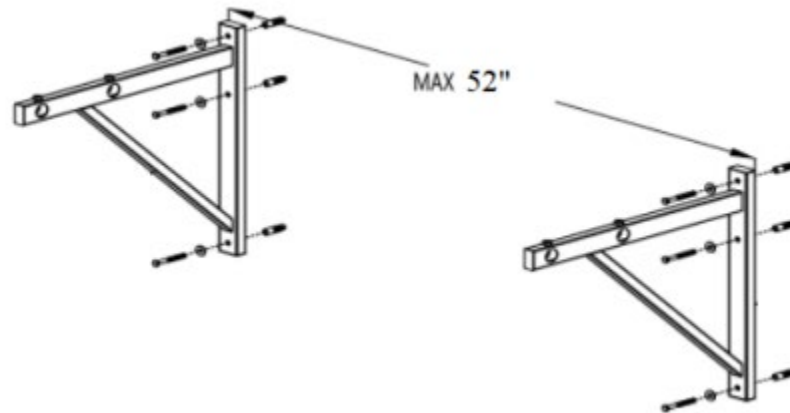
KEY	BOX	DESCRIPTION	QTY
(1)	1	BRACKET	2
(2)	1	BAR	1
(3)	1	M10x75 LAG BOLT	6
(4)	1	M10 WASHER	6
(5)	1	M10x20 BOLT	4



ASSEMBLY INSTRUCTIONS

1. MOUNT THE BRACKETS (1) TO THE WALL:

Mount the Brackets (1) to the wall using M10x75 Lag Bolts (3) and M10 Washers (4). The order for assembly is M10x75 Lag Bolt (3), M10 Washer (4), and then put the M10x75 Lag Bolt (3) through the Bracket (1) and into the stud of your wall.



2. SECURE THE BAR (2) TO THE BRACKETS (1):

Secure the Bar (2) to the Brackets (1) using the M10x20 Bolts (5). Insert the Bar (2) through the preferred hole in both Brackets (1) until it is centered, then thread the M10x20 Bolts (5) through the nuts welded to the Brackets (1) to secure the Bar (2) in place.

