

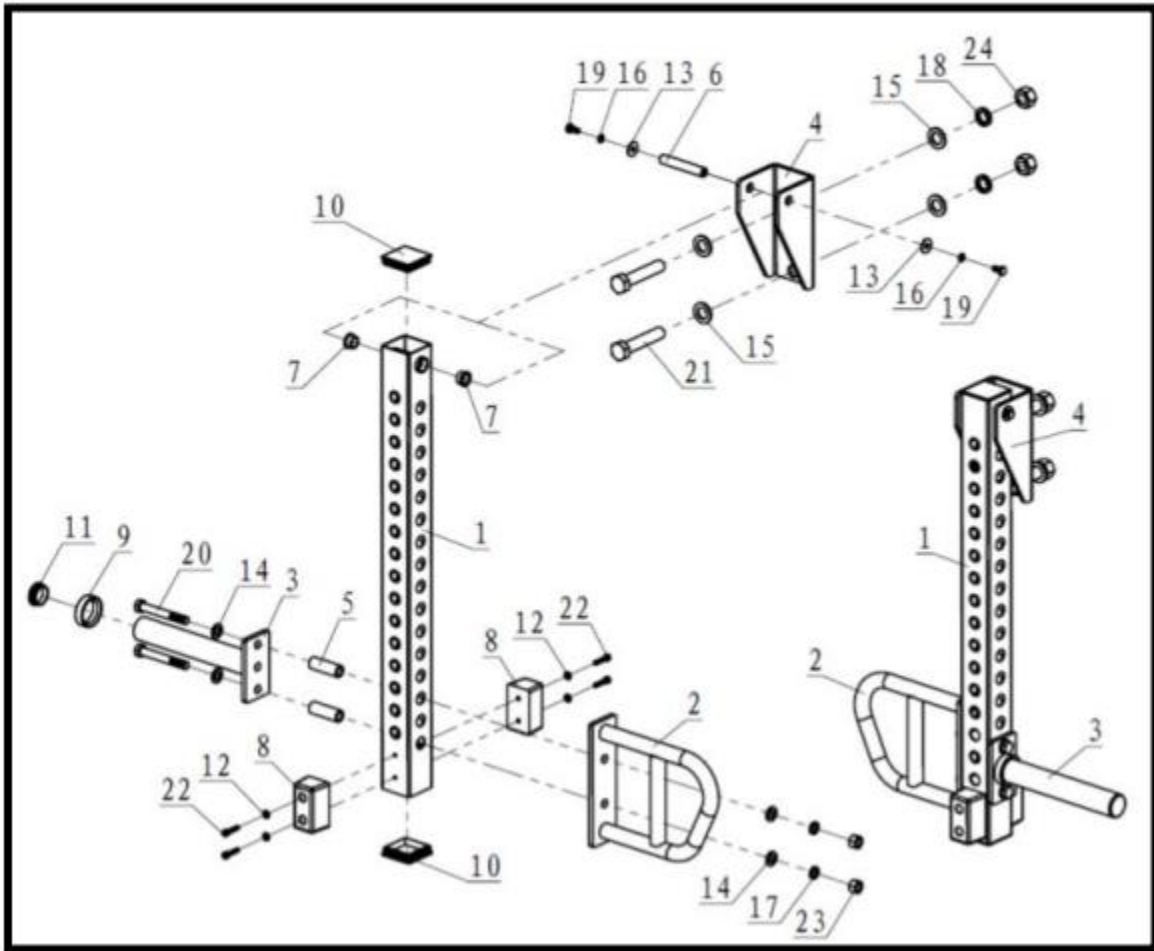
OWNER'S MANUAL

MPN(s): TLEVERARM

SKU(s): 400538

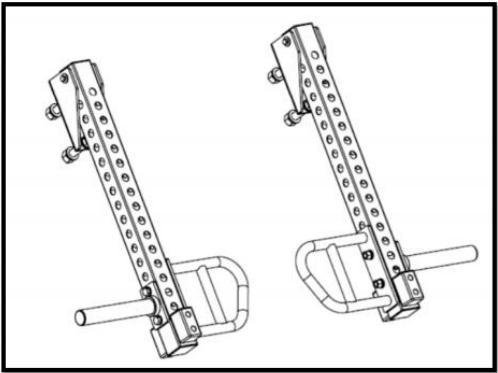
UPC(s): 719318385807

PARTS DIAGRAM / EXPLODED VIEW



Part No.	Description	Q'ty	Part No.	Description	Q'ty
1	Main Frame	2	13	Flat Washer $\Phi 10.5 \times \Phi 30 \times 2.5$	4
2	Handle Frame	2	14	Flat Washer $\Phi 17 \times \Phi 30 \times 3$	8
3	Barbell holder	2	15	Flat Washer $\Phi 26 \times \Phi 44 \times 4$	8
4	U-shape bracket	2	16	Spring Washer $\Phi 10$	4
5	Bushing	4	17	Spring Washer $\Phi 16$	4
6	Fixed Axle	2	18	Spring Washer $\Phi 24$	4
7	$\Phi 19$ Bushing	4	19	Hex Bolt M10*20	4
8	Rubber stopper	4	20	Hex Bolt M16*120	4
9	Rubber bushing	2	21	Hex Bolt M24*120	4
10	End Cap	4	22	Hex Bolt M8-35	8
11	$\Phi 48$ End Cap	2	23	Nut M24	4
12	Flat Washer $\Phi 9 \times \Phi 16 \times 1.6$	8	24	Nut M24	4





This concludes the TLEVERARM Owner's Manual.

If applicable to your product, make sure to tighten all nut-and-bolt combinations before use.

Enjoy!

DISCLAIMER

This equipment must be used with care by capable and competent individuals under supervision, if necessary.

The use of any fitness equipment, including this one, involves the potential risk of injury. You accept and assume full responsibility for any and all injuries, damages (both economic and non-economic), and losses of any type, which may occur, and you fully and forever release and discharge Titan, its insurers, employees, officers, directors, associates, and agents from any and all claims, demands, damages, rights of action, or causes of action, present or future, whether the same be known or unknown, anticipated, or unanticipated, resulting from or arising out of the use of said equipment.

TITAN MAKES NO WARRANTY WHATSOEVER WITH RESPECT TO THE EQUIPMENT, INCLUDING ANY WARRANTY OF MERCHANTABILITY OR WARRANTY OF FITNESS FOR A PARTICULAR PURPOSE, WHETHER EXPRESS OR IMPLIED BY LAW, COURSE OF DEALING, COURSE OF PERFORMANCE, USAGE OF TRADE OR OTHERWISE. BUYER ASSUMES ALL LIABILITY IN USE OF THE EQUIPMENT.

NEED HELP?

CONTACT US FIRST.

1 (800) 605-8241

info@titandistributorsinc.com / www.titan.fitness

Business Hours: Monday–Friday • 8:00 a.m.–5:00 p.m. (CT)

