

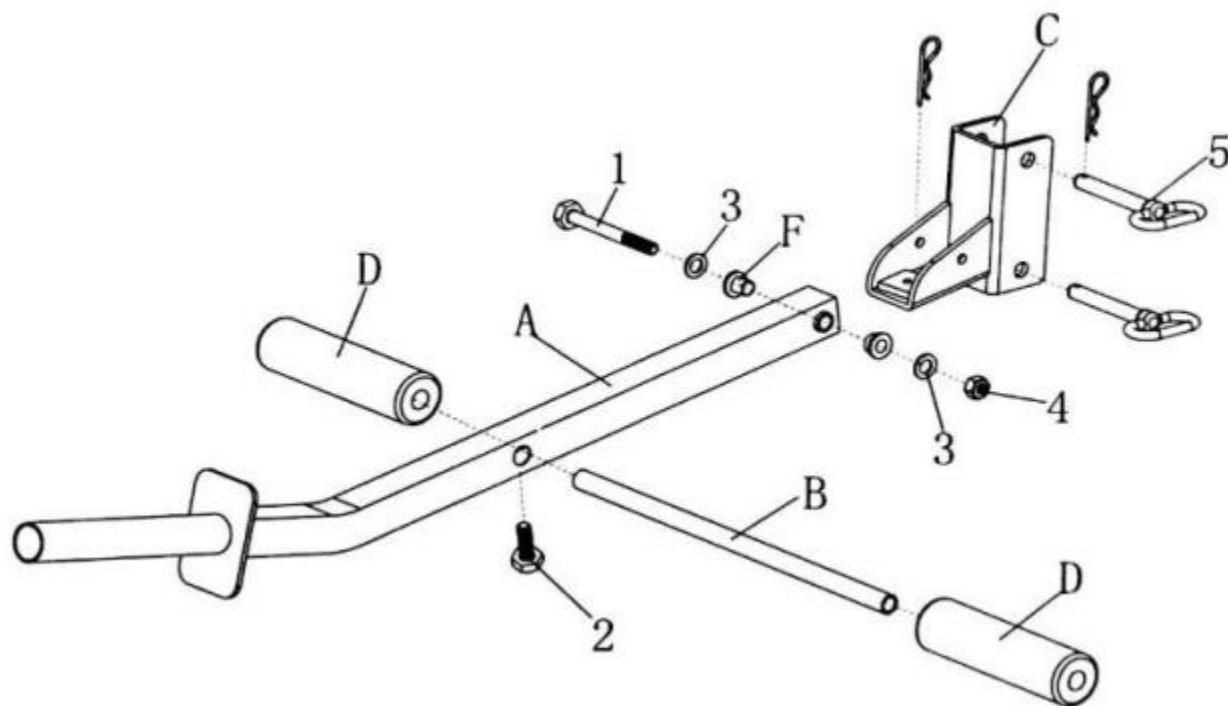
OWNER'S MANUAL

MPN(s): T3PRLGCRL, X2PRLGCRL, X3PRLGCRL

SKU(s): 400541, 400542, 400543

UPC(s): 719318367292, 719318367308, 719318367315

PARTS DIAGRAM / EXPLODED VIEW

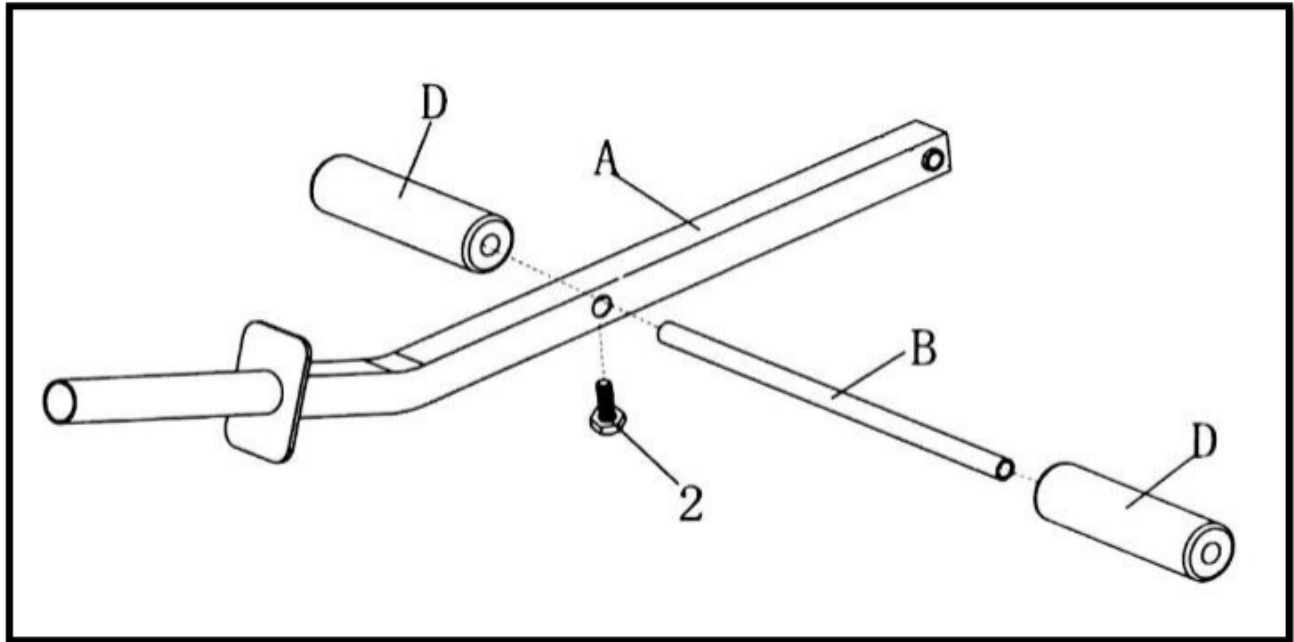


KEY NUMBER/LETTER	DESCRIPTION	QUANTITY
(A)	MAIN FRAME	x1
(B)	FOAM TUBE	x1
(C)	FIX FRAME	x1
(D)	FOAM	x2
(E)	BUMPER	x1
(F)	OIL BUSHING	x2
(1)	M12x100 BOLT	x1
(2)	M10x45 BOLT	x1
(3)	M12 WASHER	x2
(4)	M12 NYLON NUT	x1
(5)	LOCK & PIN SET	x2
(6)	M10x20 BOLT	x1

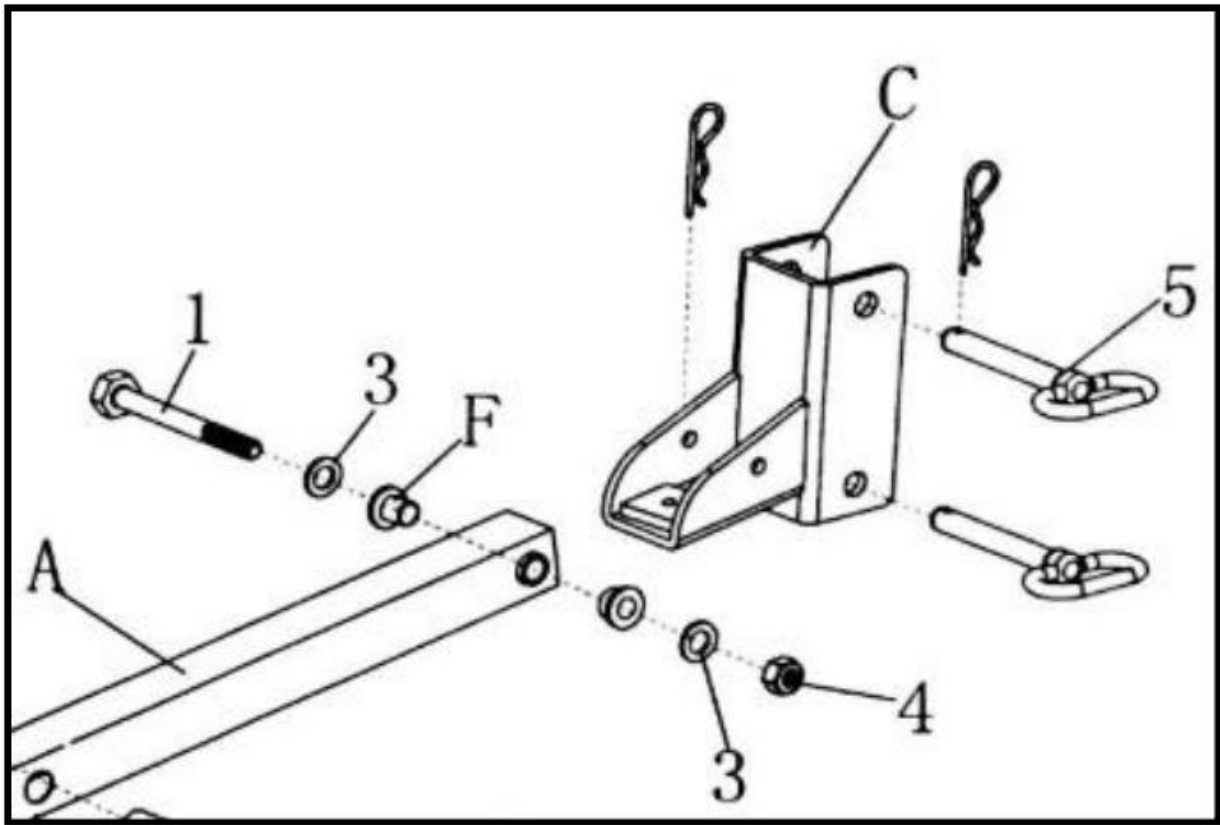


ASSEMBLY INSTRUCTIONS

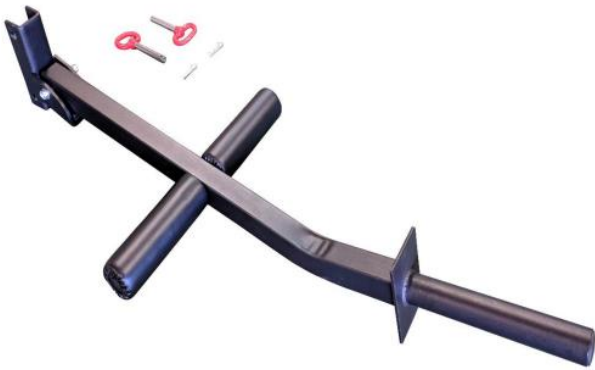
IMPORTANT: Assembly is the same for all of the different versions of this product.



1. Insert the **FOAM TUBE (B)** into the **MAIN FRAME (A)**.
2. Secure the **FOAM TUBE (B)** with the **M10x45 BOLT (2)**.
3. Slide a **FOAM (D)** over each side of the **FOAM TUBE (B)**.



4. Place the end of the **MAIN FRAME (A)** into the lip of the **FIX FRAME (C)**, and secure with the following hardware: an **M12x100 BOLT (1)**, two **M12 WASHERS (3)**, and an **M12 NYLON NUT (4)**.



This concludes the PRLGCRL Owner's Manual.

If applicable to your product, make sure to tighten all nut-and-bolt combinations before use.

Enjoy!

DISCLAIMER

This equipment must be used with care by capable and competent individuals under supervision, if necessary.

The use of any fitness equipment, including this one, involves the potential risk of injury. You accept and assume full responsibility for any and all injuries, damages (both economic and non-economic), and losses of any type, which may occur, and you fully and forever release and discharge Titan, its insurers, employees, officers, directors, associates, and agents from any and all claims, demands, damages, rights of action, or causes of action, present or future, whether the same be known or unknown, anticipated, or unanticipated, resulting from or arising out of the use of said equipment.

TITAN MAKES NO WARRANTY WHATSOEVER WITH RESPECT TO THE EQUIPMENT, INCLUDING ANY WARRANTY OF MERCHANTABILITY OR WARRANTY OF FITNESS FOR A PARTICULAR PURPOSE, WHETHER EXPRESS OR IMPLIED BY LAW, COURSE OF DEALING, COURSE OF PERFORMANCE, USAGE OF TRADE OR OTHERWISE. BUYER ASSUMES ALL LIABILITY IN USE OF THE EQUIPMENT.

NEED HELP?

CONTACT US FIRST.

1 (800) 605-8241

info@titandistributorsinc.com / www.titan.fitness

Business Hours: Monday–Friday • 8:00 a.m.–5:00 p.m. (CT)

