



TITAN
FITNESS



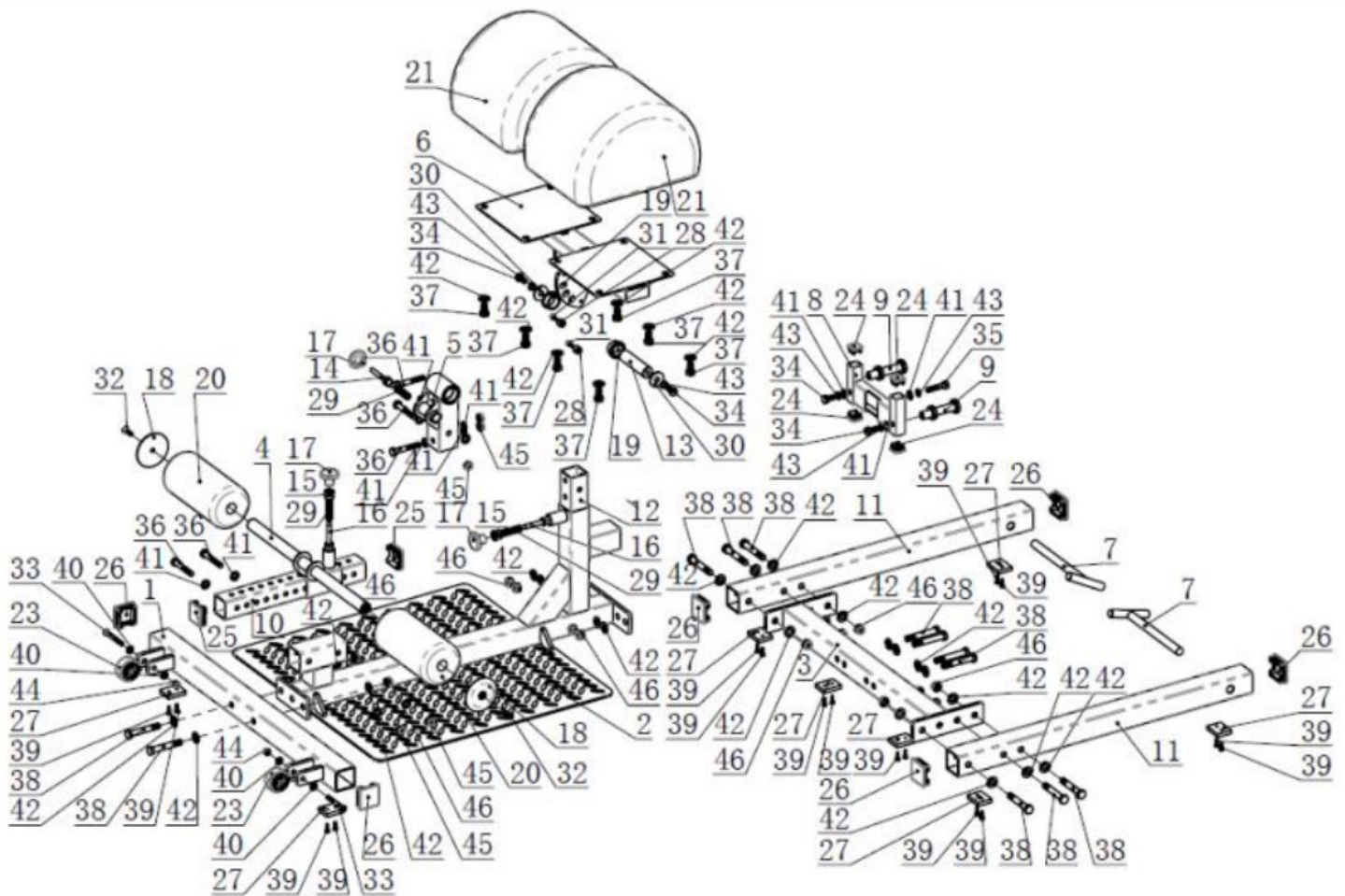
OWNER'S MANUAL

MPN(s): SBEXT

SKU(s): 400557

UPC(s): 719318386095

PARTS DIAGRAM / EXPLODED VIEW



KEY	DESCRIPTION	QTY	KEY	DESCRIPTION	QTY
1	REAR BASE FRAME	1	24	ENDING CAP 25*2	4
2	MIDDLE CONNECTING FRAME	1	25	ENDING CAP 45*2	2
3	FRONT CONNECTING GRAME	1	26	ENDING CAP 50*3	6
4	FOAM FRAME	1	27	RUBBER MAT 45*35*8	8
5	SEMICIRCULAR FOAM FRAME	1	28	NYLON SLEEVE	2
6	FOAM FIXATE ASSEMBLY	1	29	SPRING 14*1*45	3
7	BAND PEG	2	30	FLAT WASHER 11*34*3	2
8	FRONT CROSS FRAME	1	31	HEX BOLT M6*15	2
9	SHORT BAND PEG	2	32	PAN HEAD, HEX BOLT M8*25	2

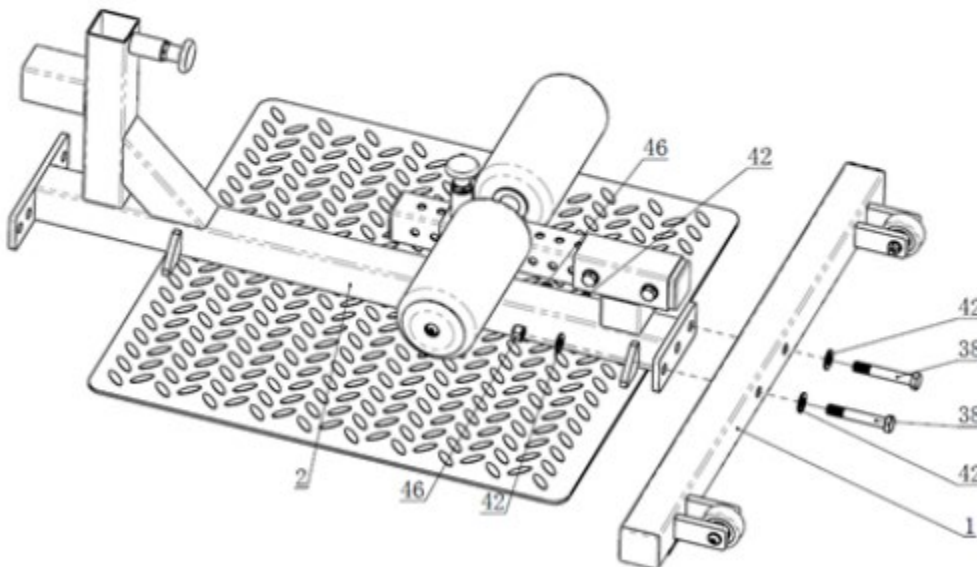


10	ADJUSTABLE TUBE	1	33	PAN HEAD, HEX BOLT M8*65	2
11	SIDE BASE FRAME	2	34	HEX BOLTM10*20	4
12	ADJUSTABLE TUBE	1	35	HEX BOLTM10*45	1
13	PU WHEEL AXLE	1	36	HEX BOLTM10*65	5
14	ROTATION AXLE	1	37	HEX BOLTM12*20	8
15	NUT	2	38	HEX BOLTM12*75	12
16	PIN	2	39	CROSS RECESS HEAD SCREW M5*15	16
17	40 KNOB	3	40	FLAT WASHER 9*16*1.6	4
18	FOAM BAFFLE	2	41	FLAT WASHER 11*20*2	13
19	BUSHING	2	42	FLAT WASHER 13.5*24*2.5	32
20	ROLLER FOAM	2	43	SPRING WASHER 10	5
21	SEMICIRCULAR FOAM	2	44	NUT M8	2
22	EVA CUSHION	1	45	NUT M10	5
23	PU WHEEL	2	46	NUT M12	12

ASSEMBLY INSTRUCTIONS

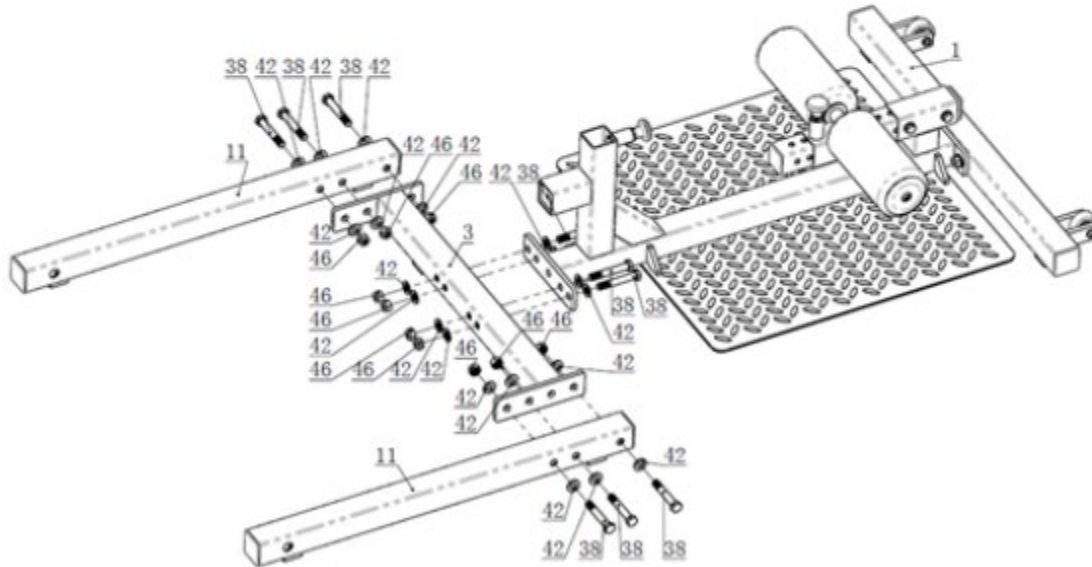
Step 1

Install Middle Connecting Frame (2) to Rear Base Frame(1), Using Hex Bolt M12*75(38), Flat Washer $\Phi 13.5 \times \Phi 24 \times 2.5$ (42), and Nut M10(46).



Step 2

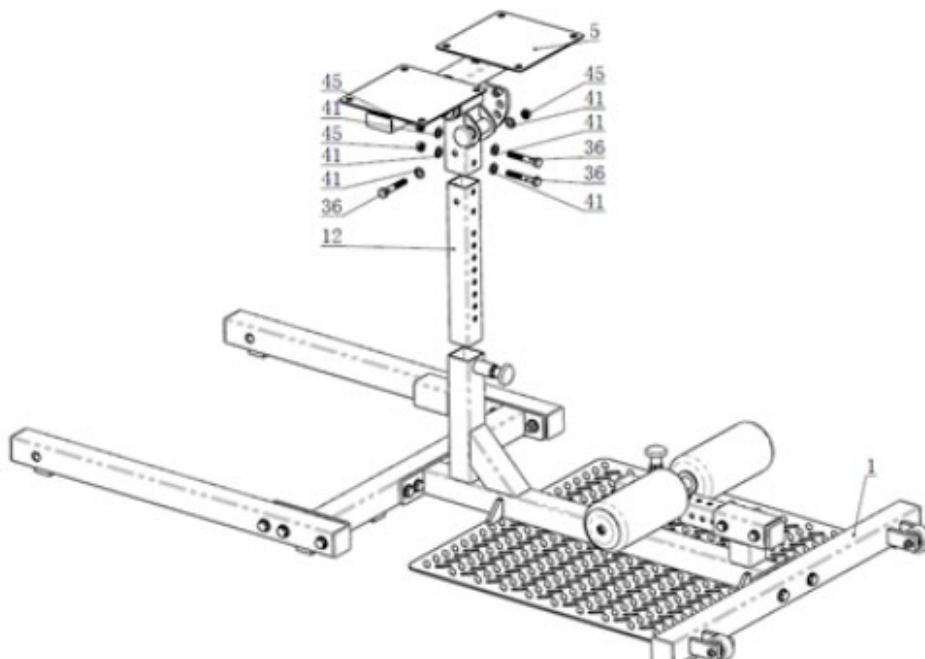
Install Front Connecting Frame (3) to Middle Connecting Frame (2), Using Hex Bolt M12*75(38), Flat Washer $\Phi 13.5 \times \Phi 24 \times 2.5$ (42), and Nut M10(46). Then fix the Side Base Tube(11) to the Front Connecting Frame (3), using Hex Bolt M12*75(38), Flat Washer $\Phi 13.5 \times \Phi 24 \times 2.5$ (42), and Nut M10(46).



Step 3

Install the Semicircular Foam Frame(5) to Adjustable Tube (12) , using the Hex Bolt M10*65(36), Flat Washer $\Phi 11 \times \Phi 20 \times 2$ (41), and the Nut M10(45). then install the Adjustable Tube (12) into Middle Connecting Frame (2).

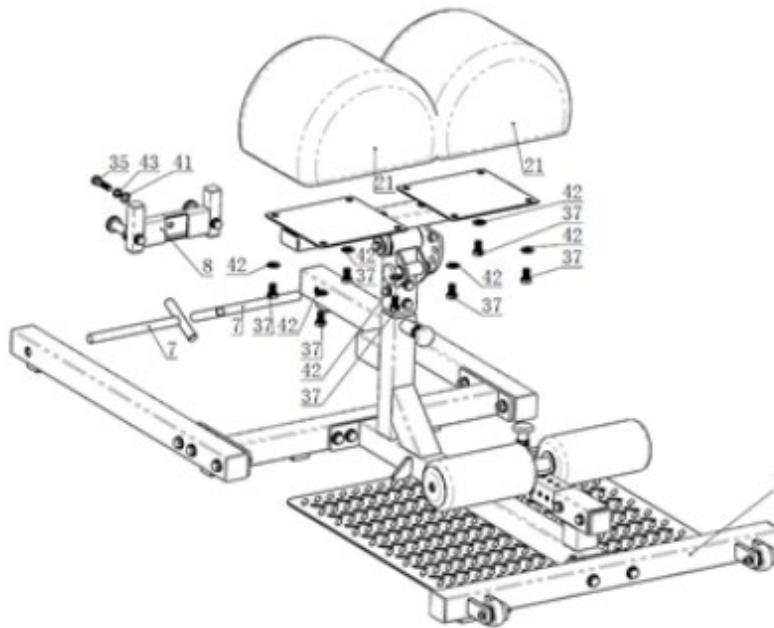
Then tighten the Nuts and bolts.



Step 4

Install the Semicircular Foam(20) to Foam Fixate Assembly (6) , using the Hex Bolt M12*20(37),Flat Washer $\Phi 13.5*\Phi 24*2.5$ (42). then install the Front cross Frame (8)to Semicircular Foam Frame(5),using the Hex Bolt M10*45(35),Flat Washer $\Phi 11*\Phi 20*2$ (41),and Spring Washer $\Phi 10$ (43). Through the Band Peg (7) into the Side Base Frame(11).

Then tighten the Nuts and bolts.





This concludes the LOADPIN Owner's Manual.

If applicable to your product, make sure to tighten all nut-and-bolt combinations before use.

Enjoy!

DISCLAIMER

This equipment must be used with care by capable and competent individuals under supervision, if necessary.

The use of any fitness equipment, including this one, involves the potential risk of injury. You accept and assume full responsibility for any and all injuries, damages (both economic and non-economic), and losses of any type, which may occur, and you fully and forever release and discharge Titan, its insurers, employees, officers, directors, associates, and agents from any and all claims, demands, damages, rights of action, or causes of action, present or future, whether the same be known or unknown, anticipated, or unanticipated, resulting from or arising out of the use of said equipment.

TITAN MAKES NO WARRANTY WHATSOEVER WITH RESPECT TO THE EQUIPMENT, INCLUDING ANY WARRANTY OF MERCHANTABILITY OR WARRANTY OF FITNESS FOR A PARTICULAR PURPOSE, WHETHER EXPRESS OR IMPLIED BY LAW, COURSE OF DEALING, COURSE OF PERFORMANCE, USAGE OF TRADE OR OTHERWISE. BUYER ASSUMES ALL LIABILITY IN USE OF THE EQUIPMENT.

NEED HELP?

CONTACT US FIRST.

1 (800) 605-8241

info@titandistributorsinc.com / www.titan.fitness

Business Hours: Monday–Friday • 8:00 a.m.–5:00 p.m. (CT)

