



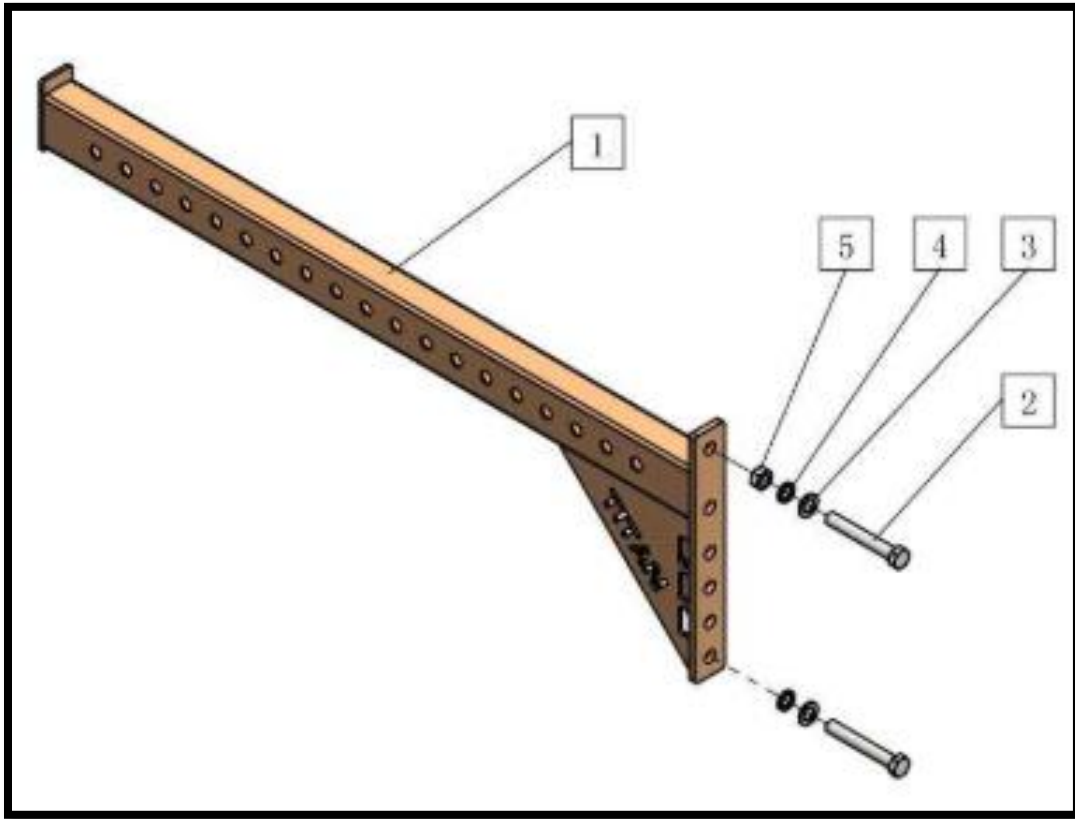
## OWNER'S MANUAL

---

**MPN(s):** EXTARMv2

**SKU(s):** 400637

# PARTS DIAGRAM



KEY	DESCRIPTION	QTY
(1)	EXTEND ARM	x1
(2)	HEX BOLT M16x110	x2
(3)	FLAT WASHER M16	x2
(4)	SPRING WASHER M16	x2
(5)	HEX NUT M16	x2





*This concludes the  
assembly of your product.*

*Make sure to tighten all  
nut-and-bolt combinations  
before use.*

*Enjoy!*

NEED HELP?

CONTACT US FIRST.

**1 (800) 605-8241**

[info@titandistributorsinc.com](mailto:info@titandistributorsinc.com) / [www.titan.fitness](http://www.titan.fitness)

**Business Hours: Monday–Friday • 8:00 a.m.–5:00 p.m. (CT)**

