

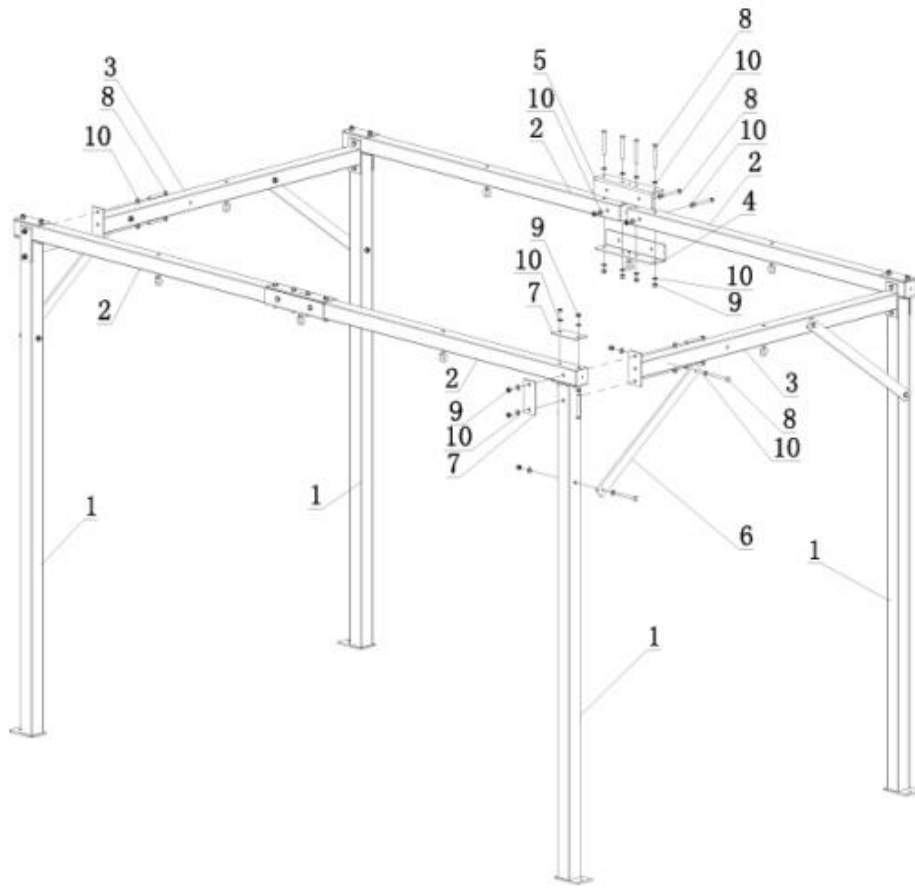
OWNER'S MANUAL

MPN(s): 8BOXSTND1-8BOXSTND2-8BOXSTND3

SKU(s): :400707, 400708, 400709

UPC(s): 719318384183, 719318384220, 719318384237

PARTS DIAGRAM / EXPLODED VIEW



KEY	BOX	DESCRIPTION	QTY
(1)	1,2	Main Upright Frame	4
(2)	3	Cross Frame	4
(3)	1,2	Side Cross Frame	2
(4)	3	Fix Plate Frame	2
(5)	3	Fix Plate	2
(6)	1,2	Support Plate	4
(7)	1,2	Outer Plate	8
(8)	1,2	Hex Bolt M12*105	36
(9)	1,2	Nut M12	36
(10)	1,2	Flat Washer $\phi 13.5 \times \phi 24 \times 2.5$	72

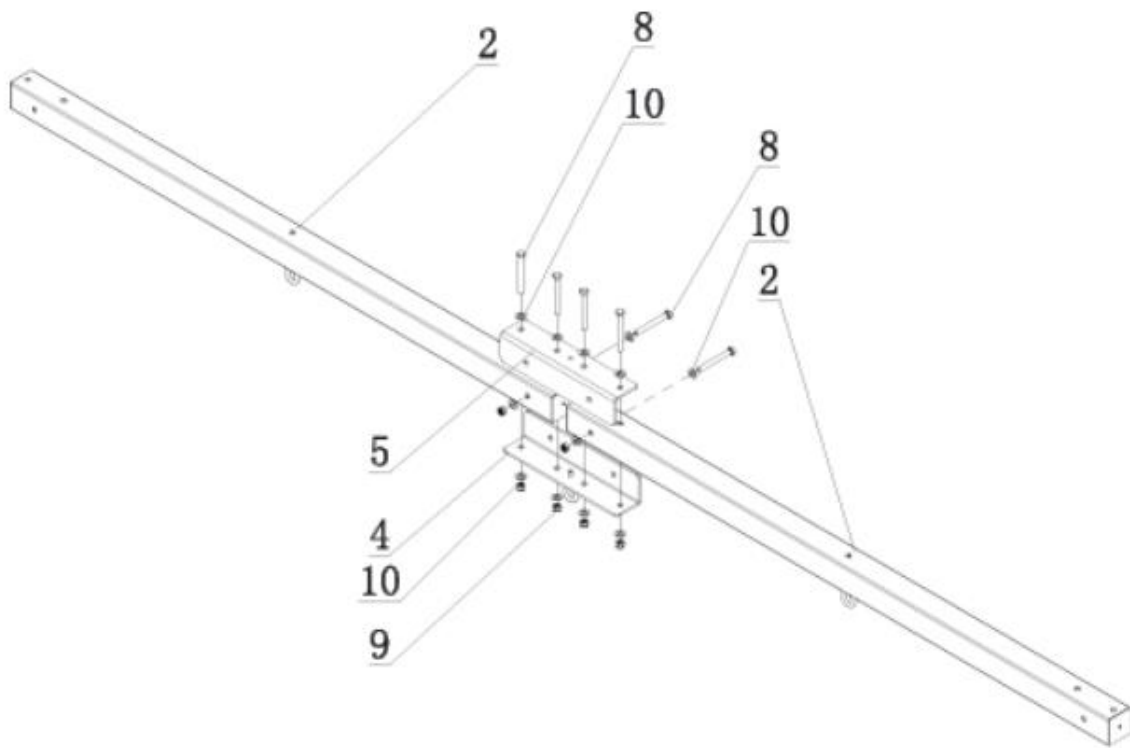


ASSEMBLY INSTRUCTIONS

Step 1

Assemble Cross Frame(2),Fix Plate Frame(4) and Fix Plate(5) using Hex Bolt M12*105(8),Nut M12(9) and Flat Washer $\phi 13.5 \times \phi 24 \times 2.5$ (10),please note the position as show.

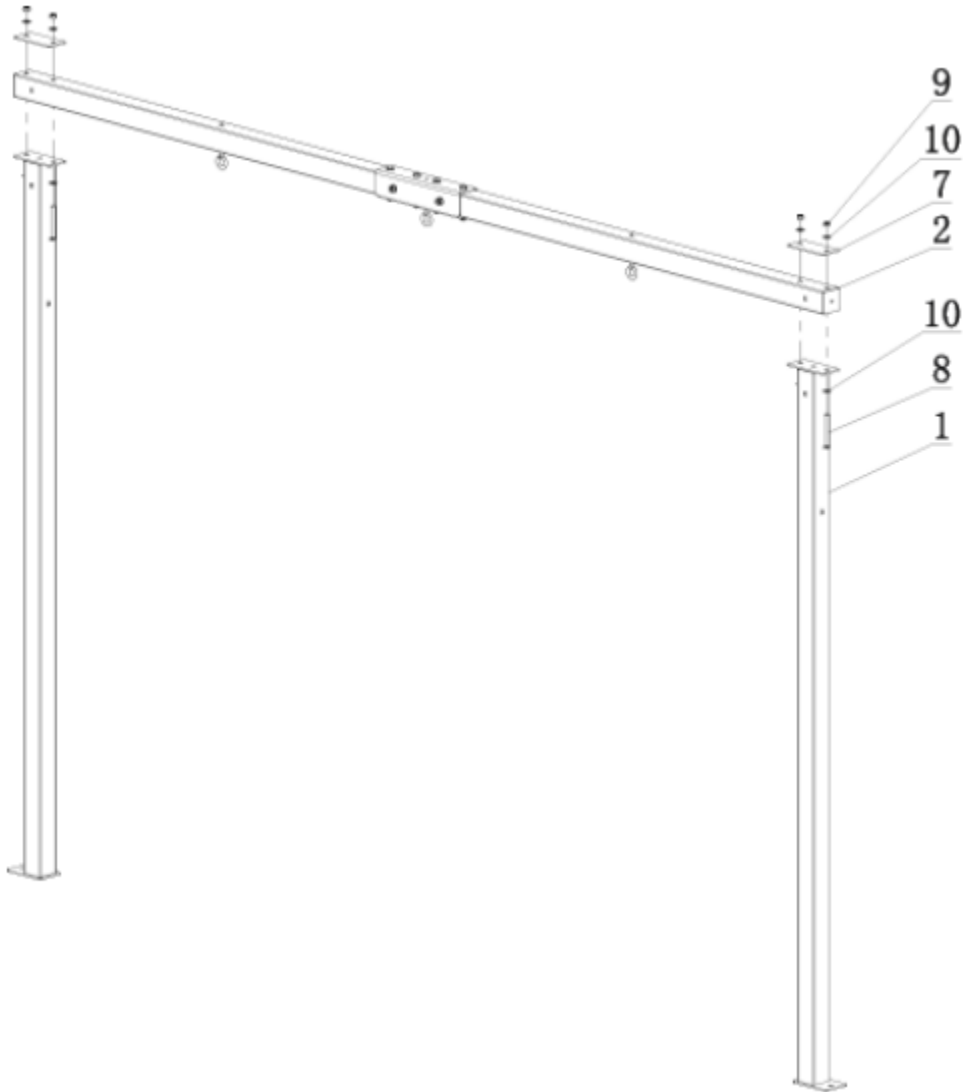
Note: Please tighten nuts and bolts.



Step 2

Assemble Main Upright Frame(1),Cross Frame(2) and Outer Plate (7) using Hex Bolt M12*105(8),Nut M12(9) and Flat Washer $\phi 13.5*\phi 24*2.5$ (10),please note the position as show.

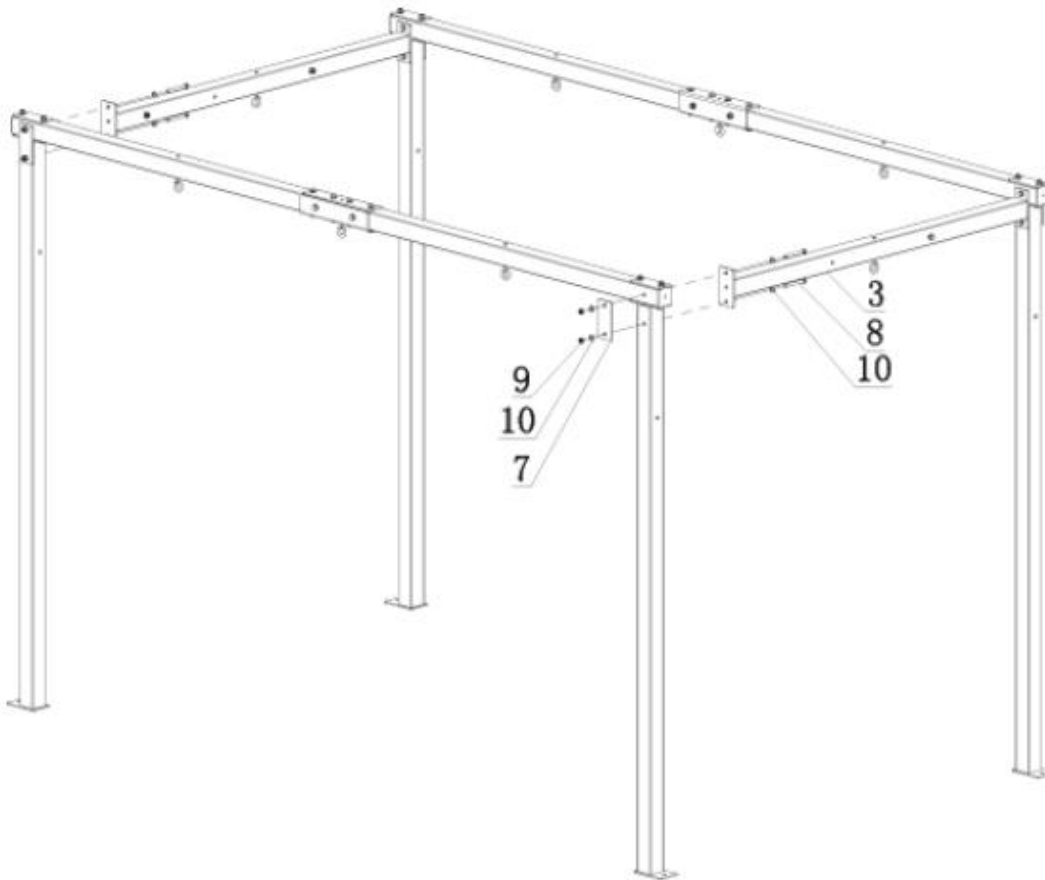
Note: Please tighten nuts and bolts.



Step 3

Assemble Side Cross Frame(3) , Outer Plate(7) and STEP 2 using Hex Bolt M12*105(6),Nut M12(7) and Flat Washer $\phi 13.5 \times \phi 24 \times 2.5$ (8),please note the position as show.

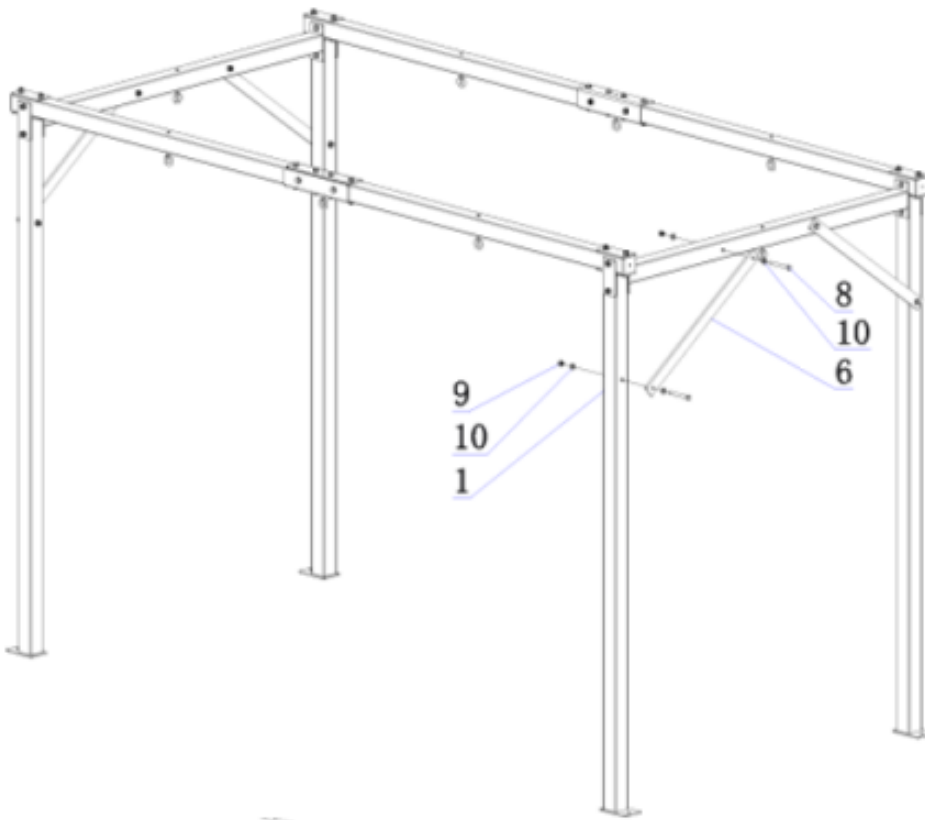
Note: Please tighten nuts and bolts.

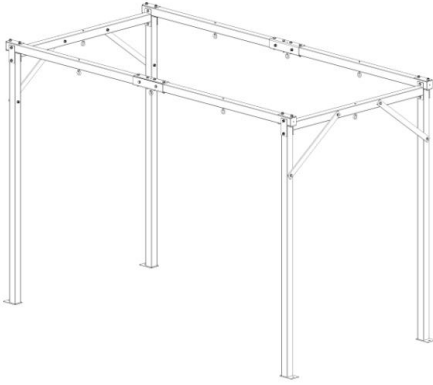


Step 4

Install Support Plate(6) to Main Upright Frame using Hex Bolt M12*105(6),Nut M12(7) and Flat Washer $\phi 13.5^*$ $\phi 24^*2.5(8)$,please note the position as show.

Note: Please tighten nuts and bolts.





This concludes the 8BOXSTND Owner's Manual.

If applicable to your product, make sure to tighten all nut-and-bolt combinations before use.

Enjoy!

DISCLAIMER

This equipment must be used with care by capable and competent individuals under supervision, if necessary.

The use of any fitness equipment, including this one, involves the potential risk of injury. You accept and assume full responsibility for any and all injuries, damages (both economic and non-economic), and losses of any type, which may occur, and you fully and forever release and discharge Titan, its insurers, employees, officers, directors, associates, and agents from any and all claims, demands, damages, rights of action, or causes of action, present or future, whether the same be known or unknown, anticipated, or unanticipated, resulting from or arising out of the use of said equipment.

TITAN MAKES NO WARRANTY WHATSOEVER WITH RESPECT TO THE EQUIPMENT, INCLUDING ANY WARRANTY OF MERCHANTABILITY OR WARRANTY OF FITNESS FOR A PARTICULAR PURPOSE, WHETHER EXPRESS OR IMPLIED BY LAW, COURSE OF DEALING, COURSE OF PERFORMANCE, USAGE OF TRADE OR OTHERWISE. BUYER ASSUMES ALL LIABILITY IN USE OF THE EQUIPMENT.

NEED HELP?

CONTACT US FIRST.

1 (800) 605-8241

info@titandistributorsinc.com / www.titan.fitness

Business Hours: Monday–Friday • 8:00 a.m.–5:00 p.m. (CT)

