



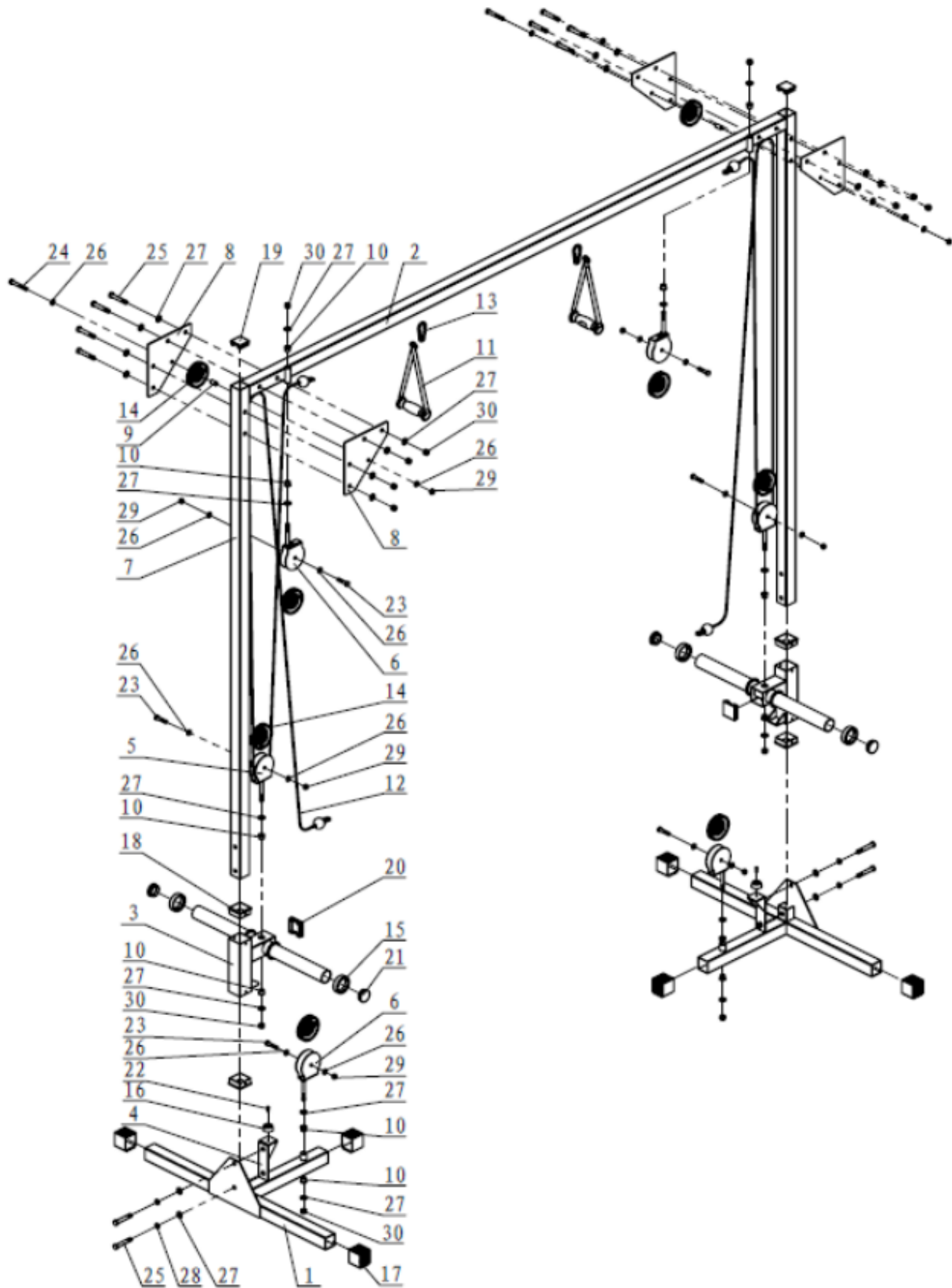
OWNER'S MANUAL

MPN(s): CCRSOVR1-CCRSOVR2

SKU(s): 400717

UPC(s): 840009201639

PARTS DIAGRAM / EXPLODED VIEW



NOTE:

BOX 1 = CCRSOVR1

BOX 2 = CCRSOVR2

| KEY | BOX | DESCRIPTION | QTY |
|------|-----|---------------------------|-----|
| (1) | 2 | BASE FRAME | x2 |
| (2) | 1 | CROSS FRAME | x1 |
| (3) | 2 | SLIDE FRAME | x2 |
| (4) | 2 | LOWER STOP FRAME | x2 |
| (5) | 2 | PULLEY FRAME | x2 |
| (6) | 2 | MOVABLE PULLEY FRAME | x4 |
| (7) | 1 | UPRIGHT FRAME | x2 |
| (8) | 2 | FIXING PLATE | x4 |
| (9) | 2 | PULLEY BUSHING | x2 |
| (10) | 2 | Φ12 BUSHING | x12 |
| (11) | 2 | HANDLE | x2 |
| (12) | 2 | CABLE | x2 |
| (13) | 2 | HOOKΦ8 | x2 |
| (14) | 2 | Φ95 PULLEY | x8 |
| (15) | 2 | RUBBER RING | x4 |
| (16) | 2 | RUBBER BUMPER Φ38*Φ7*15 | x2 |
| (17) | 2 | END CAPΦ50*2 | x6 |
| (18) | 2 | END CAP Φ48*2 | x4 |
| (19) | 2 | RUBBER BUMPER Φ55*Φ26*5 | x2 |
| (20) | 2 | RUBBER BUMPER Φ55*Φ25*25 | x2 |
| (21) | 2 | END CAP Φ29.5*130 | x4 |
| (22) | 2 | HEX BOLT M6*15 | x2 |
| (23) | 2 | HEX BOLT M10*45 | x6 |
| (24) | 2 | HEX BOLT M10*75 | x2 |
| (25) | 2 | HEX BOLT M12*75 | x12 |
| (26) | 2 | FLAT WASHER Φ11*Φ20*2 | x16 |
| (27) | 2 | FLAT WASHER Φ13.5*Φ24*2.5 | x32 |
| (28) | 2 | SPRING WASHERΦ12 | x4 |
| (29) | 2 | NUT M10 | x8 |
| (30) | 2 | NUT M12 | x14 |

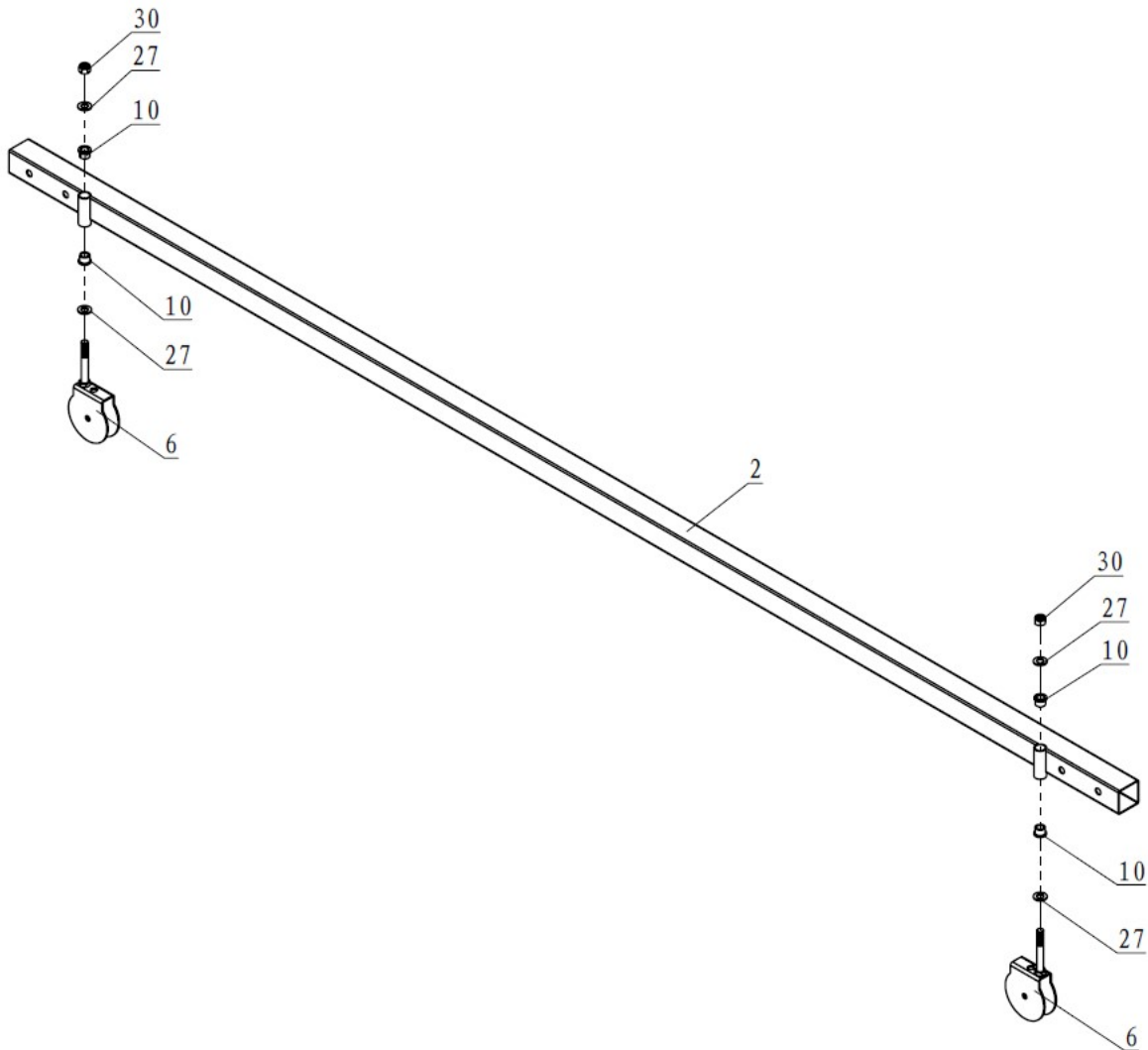


ASSEMBLY INSTRUCTIONS

STEP 1

Install Bushing (10) on the Cross Frame (2), pay attention the installation in place.

Assemble Movable Pulley Frame (6) and Cross Frame (2), using Flat Washer $\Phi 13.5 \times \Phi 24 \times 2.5$ (27), and Nut M12 (30). Tighten the bolts but keep the Pulley movable.

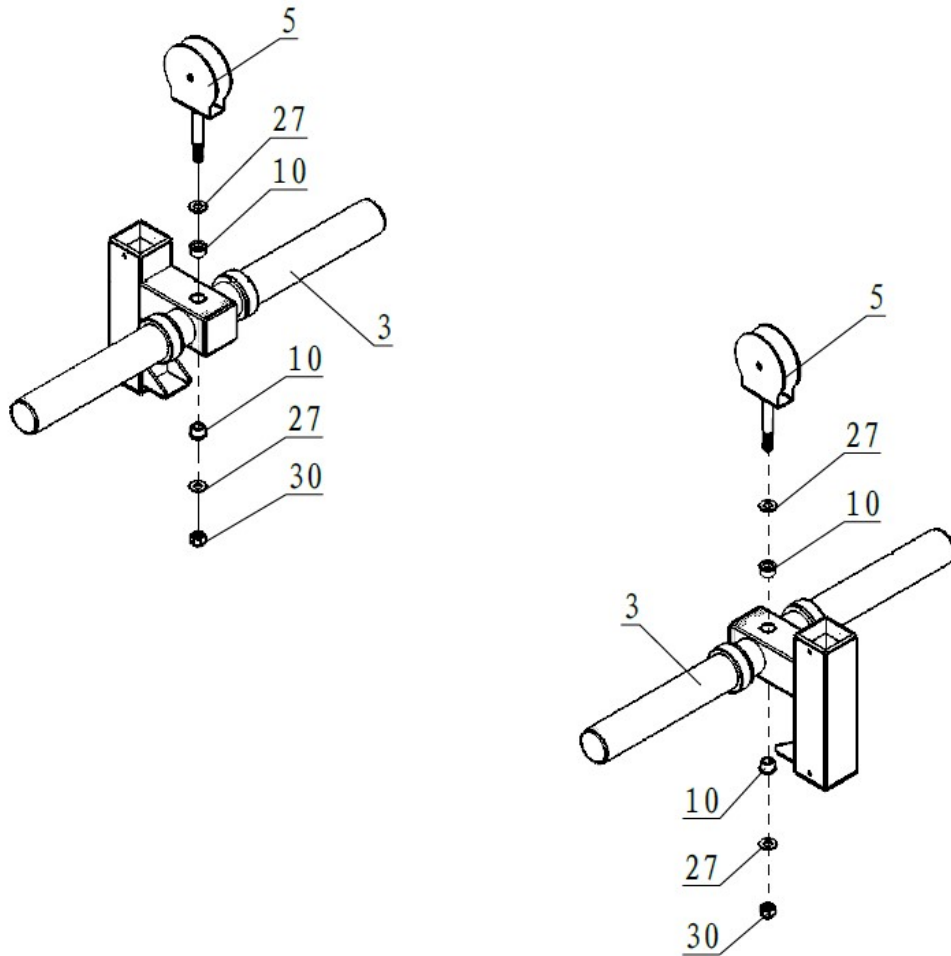


STEP 2

Install Bushing (10) on Slide Frame (3), pay attention the installation in place.



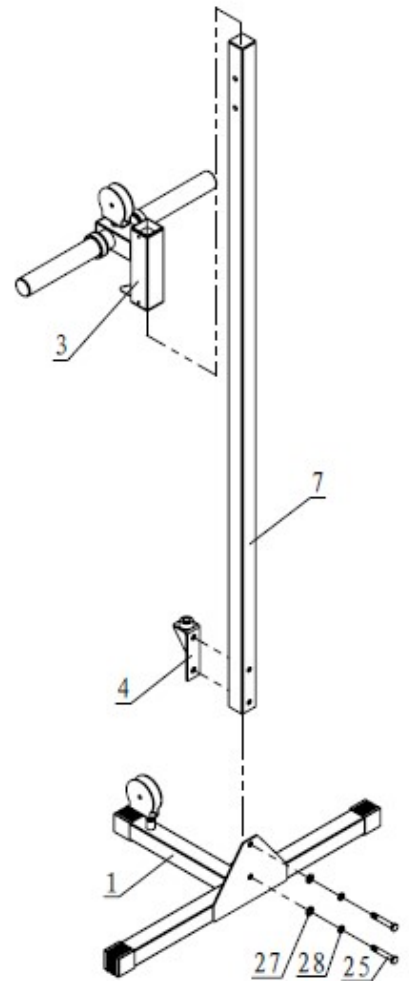
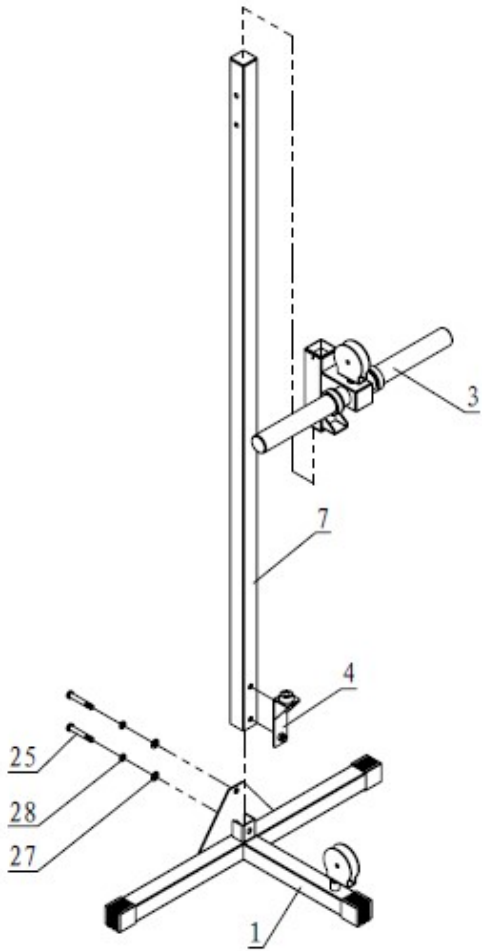
Assemble Pulley Frame (5) and Slide Frame (3), using Flat Washer $\Phi 13.5 * \Phi 24 * 2.5$ (27), and Nut M12 (30). Tighten the bolts but keep the Pulley movable.



STEP 3

Assemble Base Frame (1), Lower Stopper Frame (4) and Upright Frame (7), using Hex Bolt M12*75 (25), Flat Washer $\Phi 13.5 * \Phi 24 * 2.5$ (27), and Spring Washer $\Phi 12$ (28). Then Install Slide Frame (3) on Upright Frame (7). Tighten all the bolts.



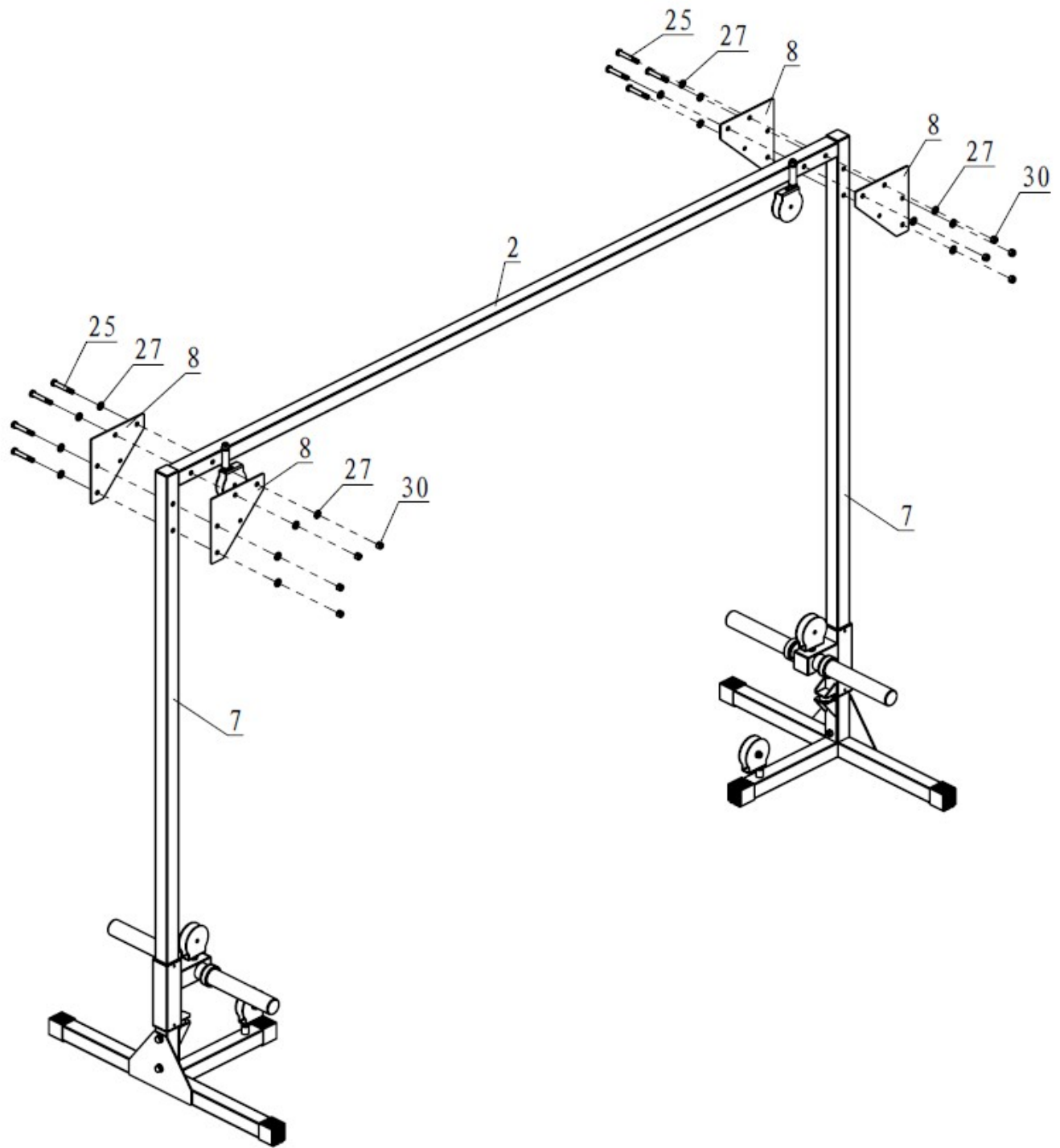


STEP 4

Assemble Cross Frame (2) and Upright Frame (7), using Fixing Plate (8), Hex Bolt M12*75 (25), Flat Washer $\Phi 13.5 \times \Phi 24 \times 2.5$ (27), Spring Washer $\Phi 12$ (28), and Nut M12 (30).

Don't tighten the bolts.





STEP 5

Assemble Pulley Bushing (9), Cable (12), and Pulley (14) on the Pulley Frame using Hex Bolt M10*45 (23), Flat Washer $\Phi 11 * \Phi 20 * 2$ (26), and Nut M10 (29). Pay attention to the installation direction.





This concludes the CCRSOVR1-CCRSOVR2 Owner's Manual.

If applicable to your product, make sure to tighten all nut-and-bolt combinations before use.

Enjoy!

DISCLAIMER

This equipment must be used with care by capable and competent individuals under supervision, if necessary.

The use of any fitness equipment, including this one, involves the potential risk of injury. You accept and assume full responsibility for any and all injuries, damages (both economic and non-economic), and losses of any type, which may occur, and you fully and forever release and discharge Titan, its insurers, employees, officers, directors, associates, and agents from any and all claims, demands, damages, rights of action, or causes of action, present or future, whether the same be known or unknown, anticipated, or unanticipated, resulting from or arising out of the use of said equipment.

TITAN MAKES NO WARRANTY WHATSOEVER WITH RESPECT TO THE EQUIPMENT, INCLUDING ANY WARRANTY OF MERCHANTABILITY OR WARRANTY OF FITNESS FOR A PARTICULAR PURPOSE, WHETHER EXPRESS OR IMPLIED BY LAW, COURSE OF DEALING, COURSE OF PERFORMANCE, USAGE OF TRADE OR OTHERWISE. BUYER ASSUMES ALL LIABILITY IN USE OF THE EQUIPMENT.

NEED HELP?

CONTACT US FIRST.

1 (800) 605-8241

info@titandistributorsinc.com / www.titan.fitness

Business Hours: Monday–Friday • 8:00 a.m.–5:00 p.m. (CT)

