



## OWNER'S MANUAL



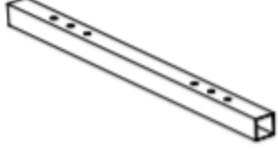



---

**MPN(s):** DBSPOTSTND1-DBSPOTSTND2








**SKU(s):** 400780

**UPC(s):** 840009202056

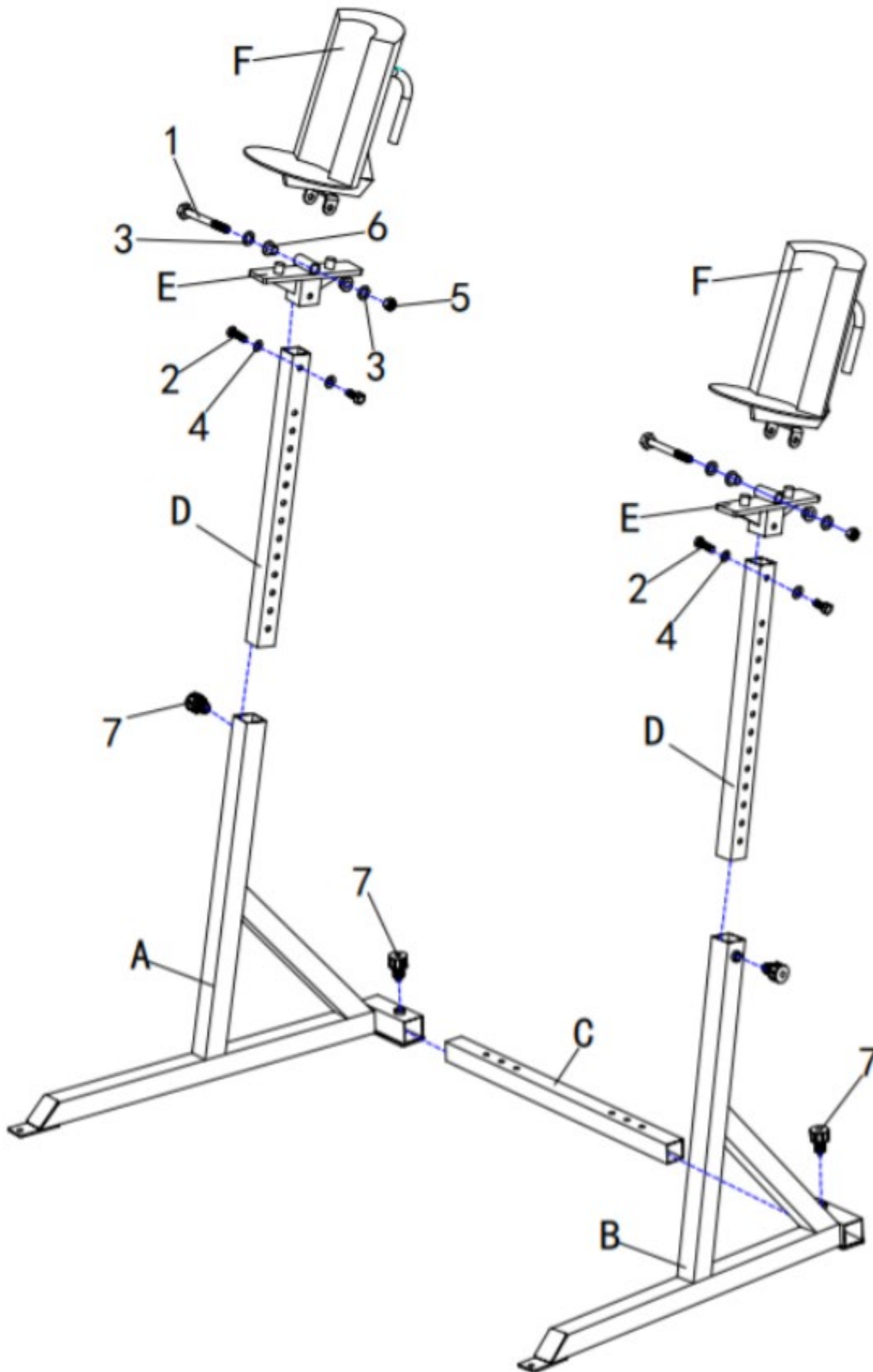
# PARTS DIAGRAM & HARDWARE LIST

<p>A. Left Stand Tube 1pc</p> 	<p>B. Right Stand Tube 1pc</p> 	<p>C. Connect Tube 1pc</p> 
<p>D. Adjustable Tube 2pcs</p> 	<p>E. Adjustable Tube 2pcs</p> 	<p>F. Dumbbell Holder 2pcs</p> 

## HARDWARE LIST

<p>1. M12x90 Bolt 2pcs</p> 	<p>2. M10x20 Bolt 4pcs</p> 	<p>3. M12 Washer 4pcs</p> 	
<p>4. M10 Washer 4pcs</p> 	<p>5. M12 Nut 2pcs</p> 	<p>6. Oil Bushing 4pcs</p> 	<p>7. Quick Pin 4pcs</p> 

# ASSEMBLY INSTRUCTIONS





*This concludes the DBSPOTSTND*

*Owner's Manual.*

*If applicable to your product, make sure to tighten  
all nut-and-bolt combinations before use.*

*Enjoy!*

### **DISCLAIMER**

This equipment must be used with care by capable and competent individuals under supervision, if necessary.

The use of any fitness equipment, including this one, involves the potential risk of injury. You accept and assume full responsibility for any and all injuries, damages (both economic and non-economic), and losses of any type, which may occur, and you fully and forever release and discharge Titan, its insurers, employees, officers, directors, associates, and agents from any and all claims, demands, damages, rights of action, or causes of action, present or future, whether the same be known or unknown, anticipated, or unanticipated, resulting from or arising out of the use of said equipment.

TITAN MAKES NO WARRANTY WHATSOEVER WITH RESPECT TO THE EQUIPMENT, INCLUDING ANY WARRANTY OF MERCHANTABILITY OR WARRANTY OF FITNESS FOR A PARTICULAR PURPOSE, WHETHER EXPRESS OR IMPLIED BY LAW, COURSE OF DEALING, COURSE OF PERFORMANCE, USAGE OF TRADE OR OTHERWISE. BUYER ASSUMES ALL LIABILITY IN USE OF THE EQUIPMENT.

**NEED HELP?**

**CONTACT US FIRST.**

**1 (800) 605-8241**

**[info@titandistributorsinc.com](mailto:info@titandistributorsinc.com) / [www.titan.fitness](http://www.titan.fitness)**

**Business Hours: Monday–Friday • 8:00 a.m.–5:00 p.m. (CT)**

