



**TITAN**  
*FITNESS*



## OWNER'S MANUAL

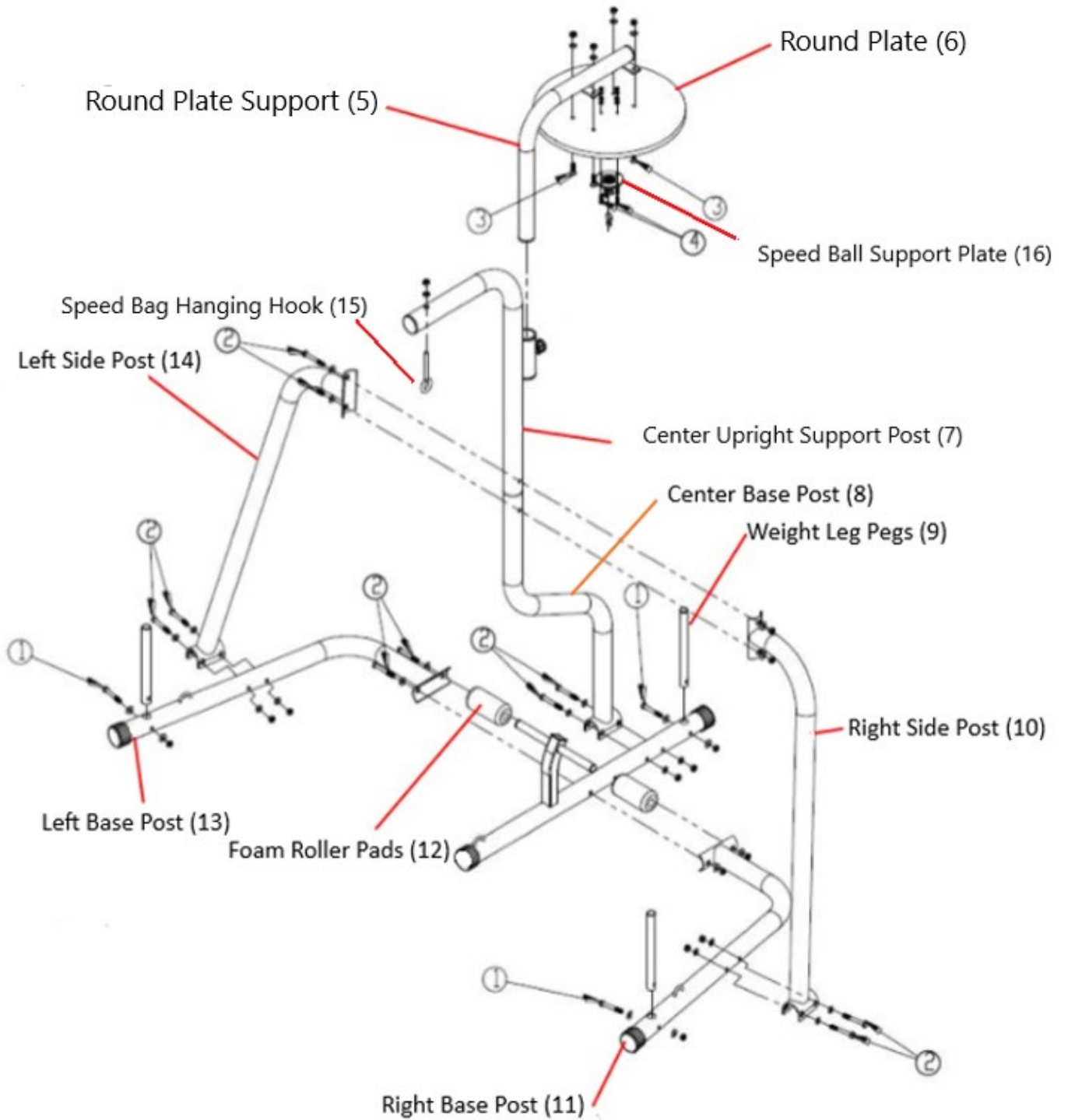
---

**MPN(s):** BOXSTNDv2

**SKU(s):** 400813

**UPC(s):** 840009203916

# EXPLODED VIEW



# HARDWARE/PARTS DIAGRAM

---

## HARDWARE

KEY	BOX	DESCRIPTION	QTY
1	1	BOLT M10*75 + TWO WASHERS + NUT	3
2	1	BOLT M10*80 + TWO WASHERS + NUT	10
3	1	BOLT M10*35 + WASHERS + NUT	4
4	1	BOLT M6*30 + WASHERS + NUT	4

## PARTS

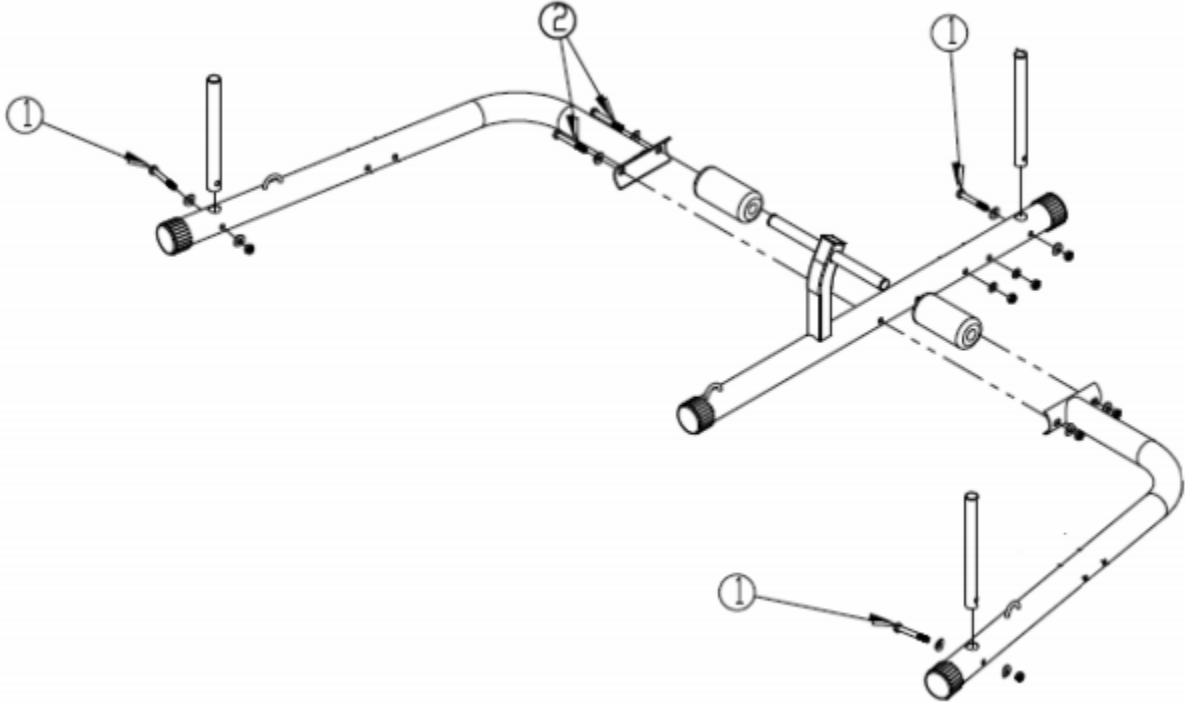
KEY	BOX	DESCRIPTION	QTY
5	1	ROUND PLATE SUPPORT	1
6	1	ROUND PLATE	1
7	1	CENTER UPRIGHT SUPPORT POST	1
8	1	CENTER BASE POST	1
9	1	WEIGHT LEG PEGS	3
10	1	RIGHT SIDE POST	1
11	1	RIGHT BASE POST	1
12	1	FOAM ROLLER PADS	2
13	1	LEFT BASE POST	1
14	1	LEFT SIDE POST	1
15	1	SPEED BAG HANGING HOOK	1
16	1	SPEED BALL SUPPORT PLATE	1



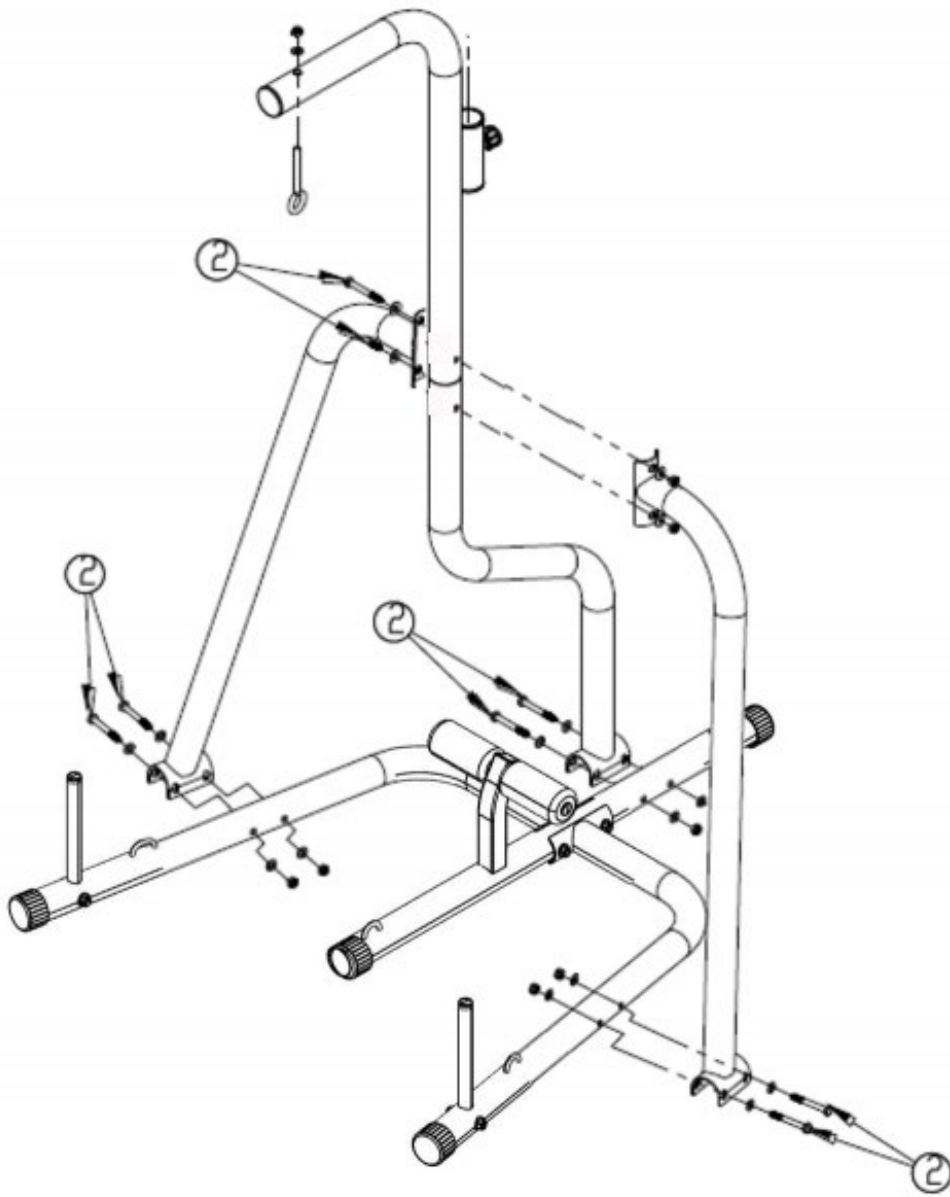
# ASSEMBLY INSTRUCTIONS

---

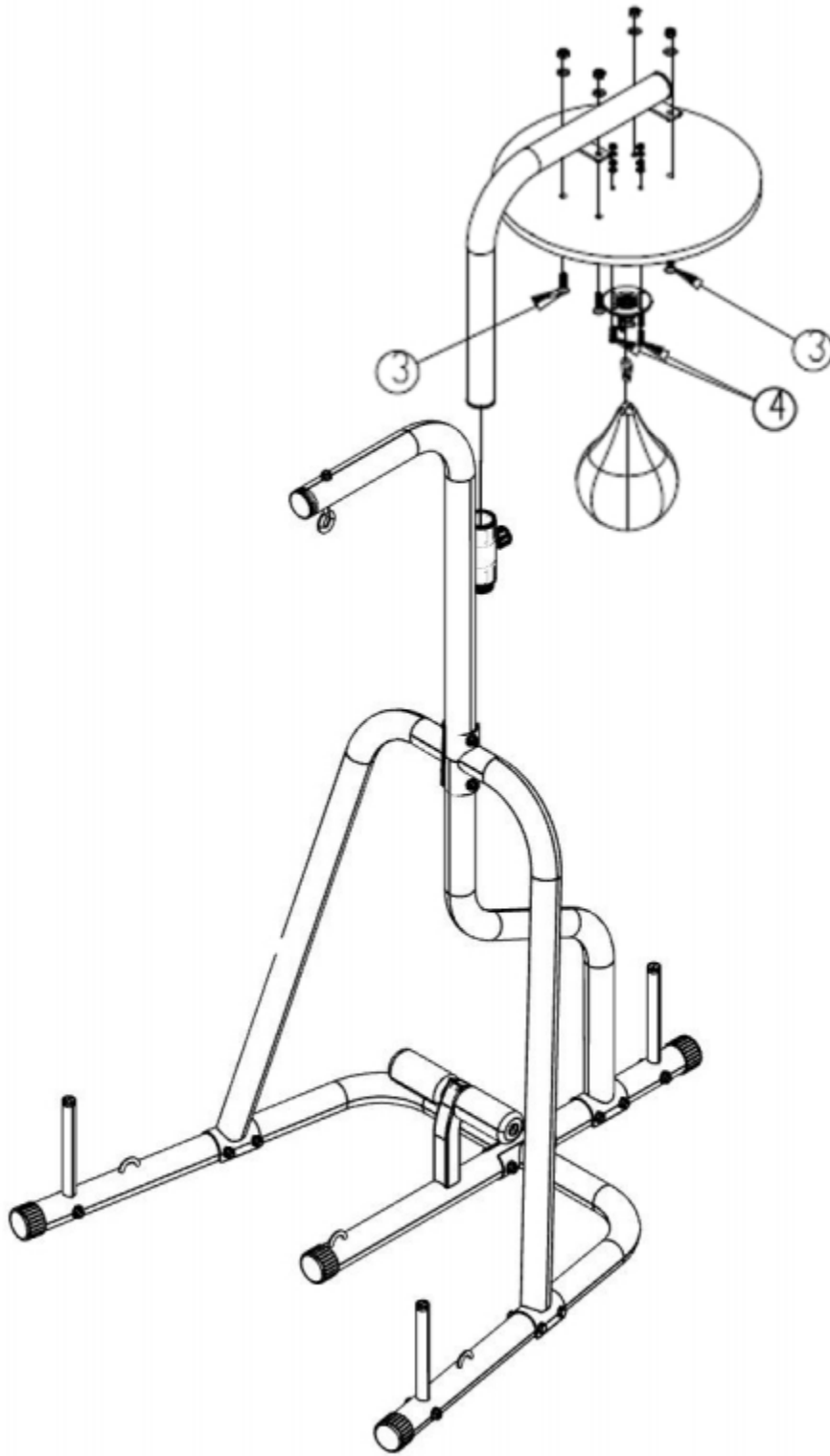
## Step 1: Base Assembly



Step 2: Assemble Center and Right/Left Posts to Assembled Base.



### Step 3: Assemble Speed Bag Mount to Assembled Base and Posts





*This concludes the BOXSTNDv2 Owner's Manual.  
If applicable to your product, make sure to tighten  
all nut-and-bolt combinations before use.*

*Enjoy!*

### **DISCLAIMER**

This equipment must be used with care by capable and competent individuals under supervision, if necessary.

The use of any fitness equipment, including this one, involves the potential risk of injury. You accept and assume full responsibility for any and all injuries, damages (both economic and non-economic), and losses of any type, which may occur, and you fully and forever release and discharge Titan, its insurers, employees, officers, directors, associates, and agents from any and all claims, demands, damages, rights of action, or causes of action, present or future, whether the same be known or unknown, anticipated, or unanticipated, resulting from or arising out of the use of said equipment.

TITAN MAKES NO WARRANTY WHATSOEVER WITH RESPECT TO THE EQUIPMENT, INCLUDING ANY WARRANTY OF MERCHANTABILITY OR WARRANTY OF FITNESS FOR A PARTICULAR PURPOSE, WHETHER EXPRESS OR IMPLIED BY LAW, COURSE OF DEALING, COURSE OF PERFORMANCE, USAGE OF TRADE OR OTHERWISE. BUYER ASSUMES ALL LIABILITY IN USE OF THE EQUIPMENT.

**NEED HELP?**

**CONTACT US FIRST.**

**1 (800) 605-8241**

[info@titandistributorsinc.com](mailto:info@titandistributorsinc.com) / [www.titan.fitness](http://www.titan.fitness)

**Business Hours: Monday–Friday • 8:00 a.m.–5:00 p.m. (CT)**

