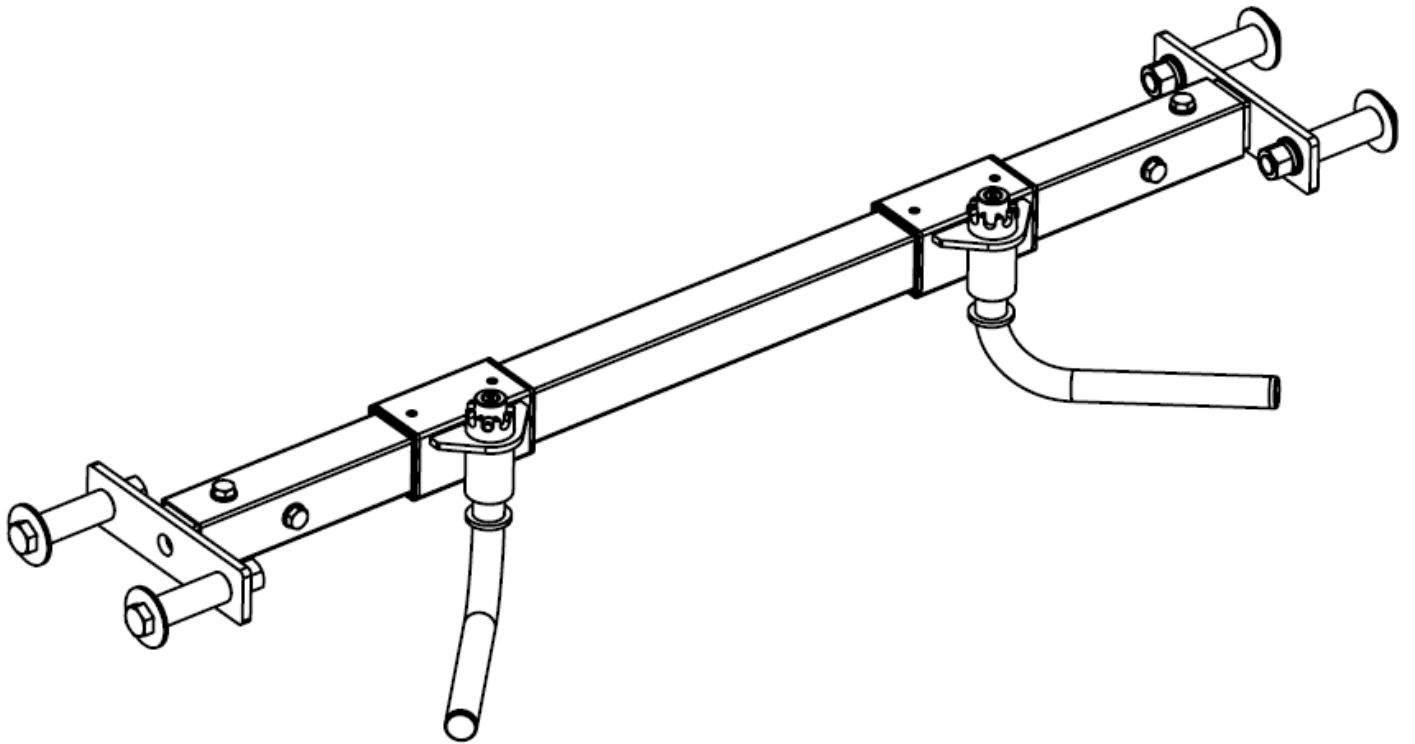




TITAN
FITNESS



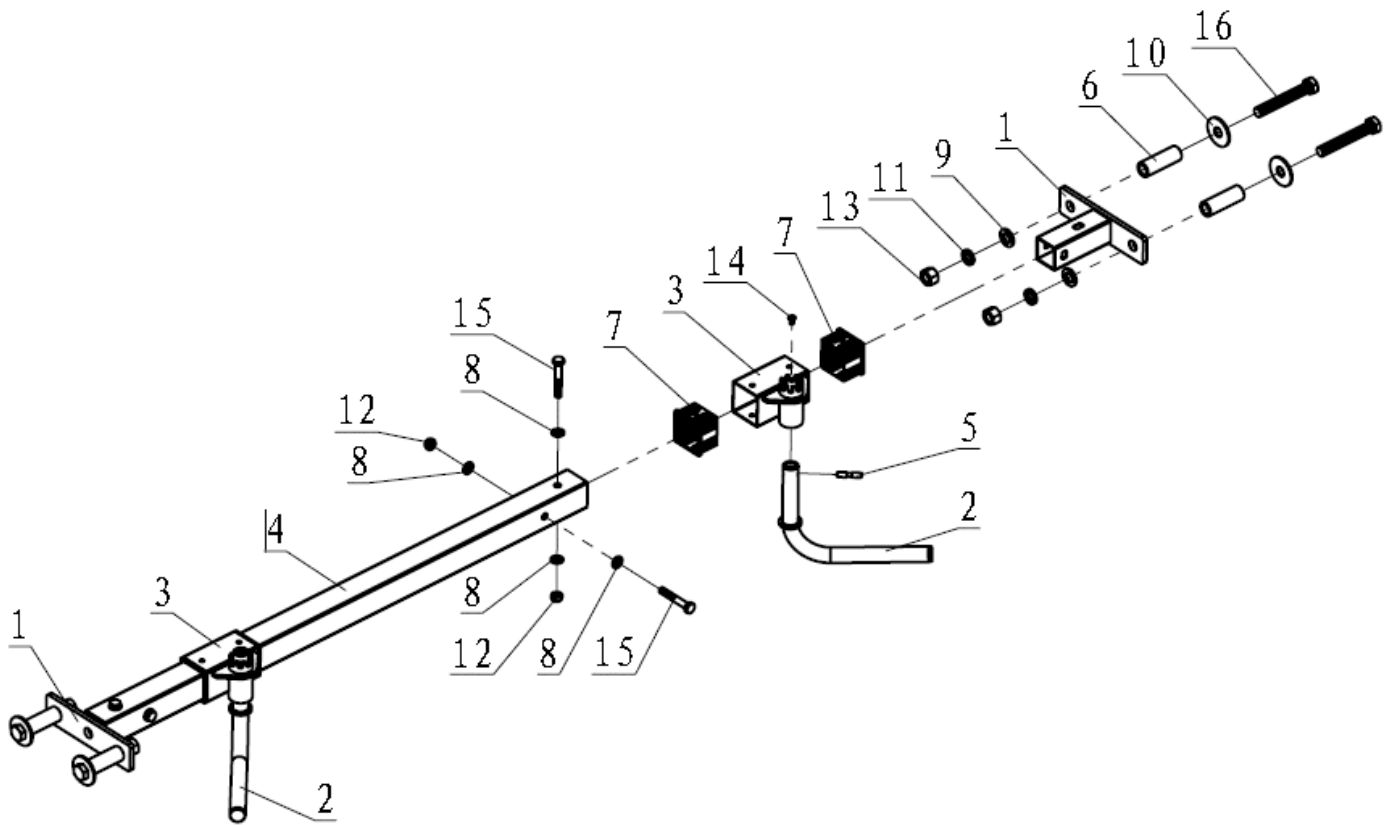
OWNER'S MANUAL

MPN(s): IXPUB

SKU(s): 400839

UPC(s): 840009206221

PARTS DIAGRAM / EXPLODED VIEW



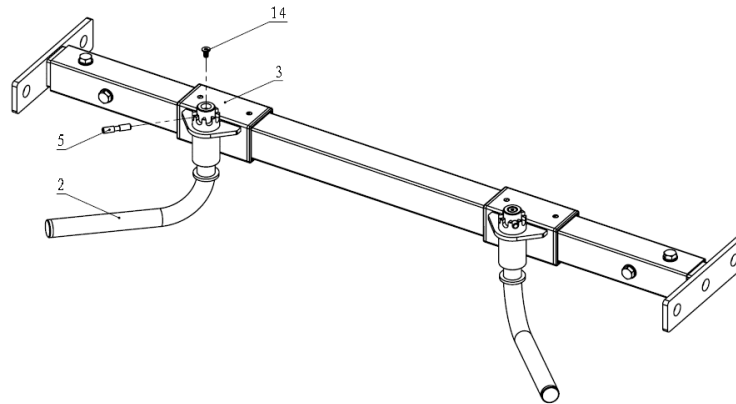
KEY	BOX	DESCRIPTION	QTY	KEY	BOX	DESCRIPTION	QTY
(1)	1	Connection Frame	2	(9)	1	Flat WasherΦ17*Φ30*3	4
(2)	1	Handle bar	2	(10)	1	Big WasherΦ17*Φ50*3	4
(3)	1	Handle Sliding Frame	2	(11)	1	Spring WasherΦ16	4
(4)	1	Cross Frame	1	(12)	1	Nut M10	4
(5)	1	Axis Pin	2	(13)	1	Nut M16	4
(6)	1	Spacer Bush	4	(14)	1	Countersunk head screw M6*12	2
(7)	1	Hollow Sleeve	4	(15)	1	Hex Bolt M10*65	4
(8)	1	Flat WasherΦ11*Φ20*2	8	(16)	1	Hex Bolt M16*110	4



ASSEMBLY INSTRUCTIONS

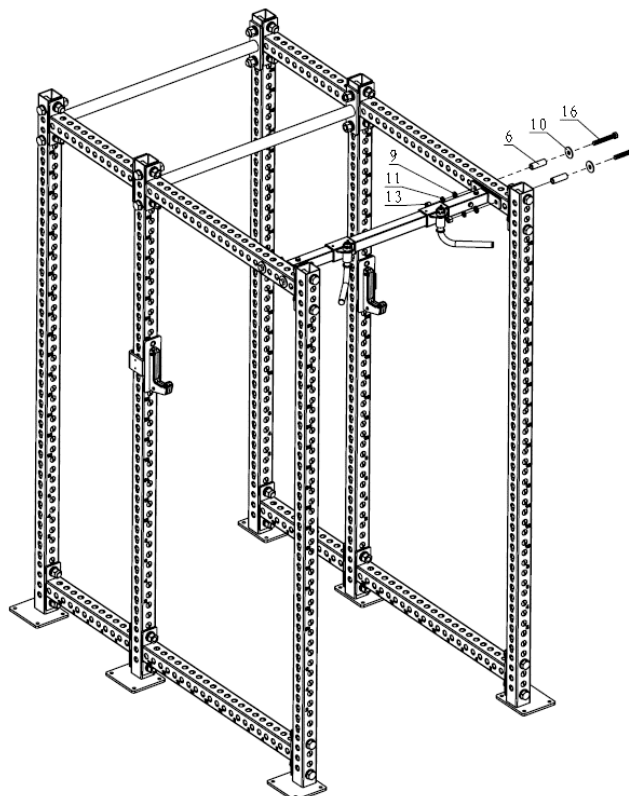
Step 1

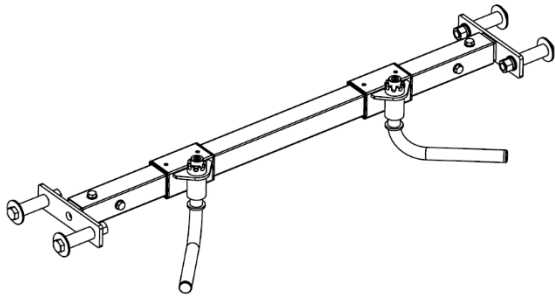
Assemble Handle Bar (2) and Handle Sliding Frame (3), using the Axis Pin (5) and Countersunk Head Screw M6*12(14).



Step 2

Install the Index Bar on the Main frame, using Spacer Bush (6), Big Washer $\Phi 17*\Phi 30*3$ (9), Flat Washer $\Phi 17*\Phi 50*3$ (10), Spring Washer (11), Nut M16 (13) and Hex Bolt M16*110 (16).





*This concludes the IXPUB Owner's Manual.
If applicable to your product, make sure to tighten all
nut-and-bolt combinations before use.*

Enjoy!

DISCLAIMER

This equipment must be used with care by capable and competent individuals under supervision, if necessary.

The use of any fitness equipment, including this one, involves the potential risk of injury. You accept and assume full responsibility for any and all injuries, damages (both economic and non-economic), and losses of any type, which may occur, and you fully and forever release and discharge Titan, its insurers, employees, officers, directors, associates, and agents from any and all claims, demands, damages, rights of action, or causes of action, present or future, whether the same be known or unknown, anticipated, or unanticipated, resulting from or arising out of the use of said equipment.

TITAN MAKES NO WARRANTY WHATSOEVER WITH RESPECT TO THE EQUIPMENT, INCLUDING ANY WARRANTY OF MERCHANTABILITY OR WARRANTY OF FITNESS FOR A PARTICULAR PURPOSE, WHETHER EXPRESS OR IMPLIED BY LAW, COURSE OF DEALING, COURSE OF PERFORMANCE, USAGE OF TRADE OR OTHERWISE. BUYER ASSUMES ALL LIABILITY IN USE OF THE EQUIPMENT.

NEED HELP?

CONTACT US FIRST.

1 (800) 605-8241

info@titandistributorsinc.com / www.titan.fitness

Business Hours: Monday–Friday • 8:00 a.m.–5:00 p.m. (CT)

