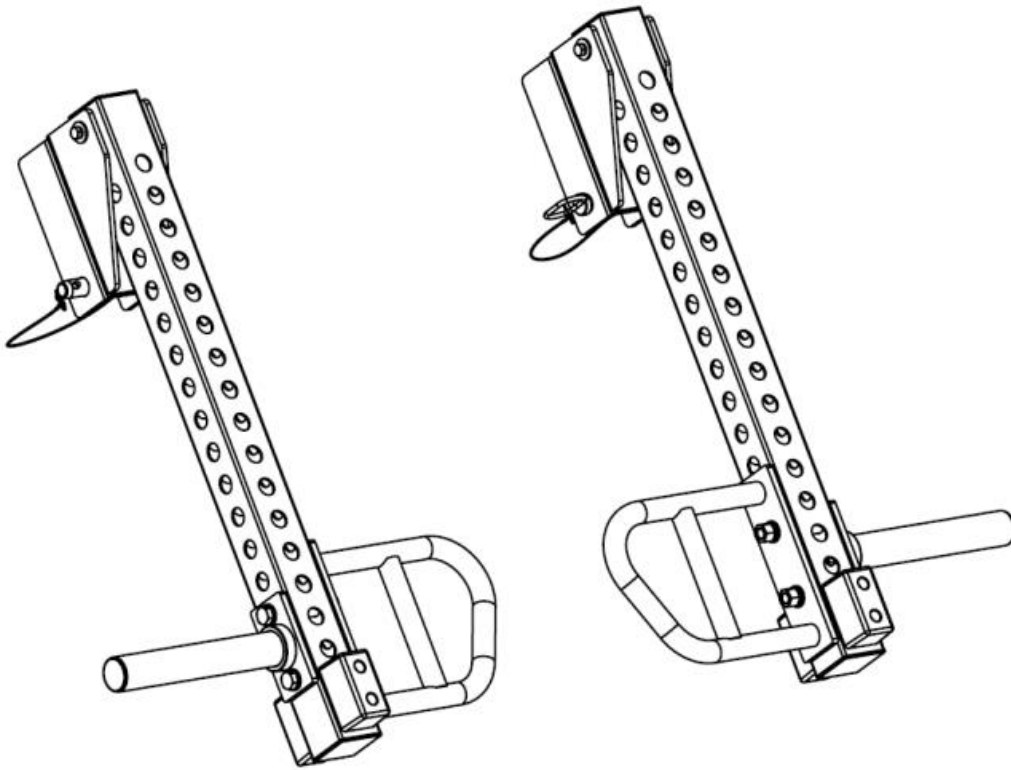




**TITAN**  
*FITNESS*



## OWNER'S MANUAL

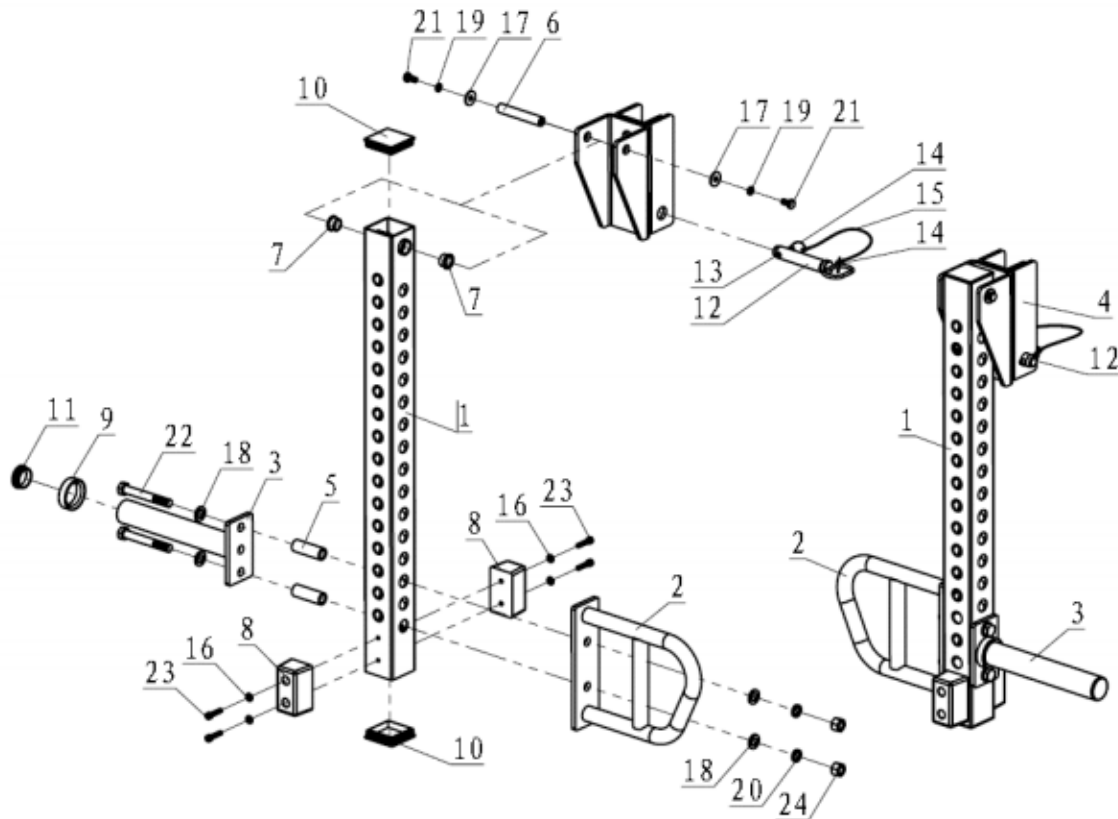
---

**MPN(s): ADJLVRARMTITAN**

**SKU(s): 400849**

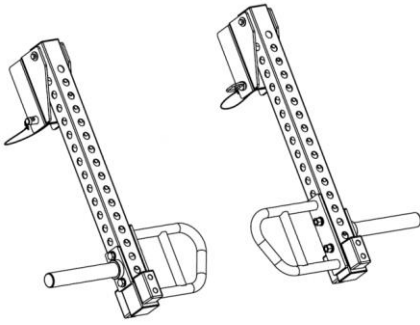
**UPC(s): 840009206207**

# PARTS DIAGRAM / EXPLODED VIEW



KEY	BOX	DESCRIPTION	QTY	KEY	BOX	DESCRIPTION	QT
(1)	1	Main Frame	2	(13)	1	Small Pin $\Phi 11 * \Phi 8 * 50$	2
(2)	1	Handle Frame	2	(14)	1	Pull Ring $\Phi 1.5 * 31$	4
(3)	1	Barbell holder	2	(15)	1	Small Cable $\Phi 5.5 * \Phi 1.6 * 330$	2
(4)	1	U-shape bracket	2	(16)	1	Flat Washer $\Phi 9 * \Phi 16 * 1.6$	8
(5)	1	Bushing	4	(17)	1	Flat Washer $\Phi 10.5 * \Phi 30 * 2.5$	4
(6)	1	Fixed Axle	2	(18)	1	Flat Washer $\Phi 17 * \Phi 30 * 3$	8
(7)	1	$\Phi 19$ Bushing	4	(19)	1	Spring Washer $\Phi 10$	4
(8)	1	Rubber stopper	4	(20)	1	Spring Washer $\Phi 16$	4
(9)	1	Rubber bushing	2	(21)	1	Hex Bolt M10*20	4
(10)	1	End Cap	4	(22)	1	Hex Bolt M16*120	4
(11)	1	$\Phi 48$ End Cap	2	(23)	1	Hexagon Socket Head Screw M8*35	8
(12)	1	PIN	2	(24)	1	Nut M16	4





*This concludes the ADJLVRARMTITAN Owner's Manual.*

*If applicable to your product, make sure to tighten all nut-and-bolt combinations before use.*

*Enjoy!*

### **DISCLAIMER**

This equipment must be used with care by capable and competent individuals under supervision, if necessary.

The use of any fitness equipment, including this one, involves the potential risk of injury. You accept and assume full responsibility for any and all injuries, damages (both economic and non-economic), and losses of any type, which may occur, and you fully and forever release and discharge Titan, its insurers, employees, officers, directors, associates, and agents from any and all claims, demands, damages, rights of action, or causes of action, present or future, whether the same be known or unknown, anticipated, or unanticipated, resulting from or arising out of the use of said equipment.

TITAN MAKES NO WARRANTY WHATSOEVER WITH RESPECT TO THE EQUIPMENT, INCLUDING ANY WARRANTY OF MERCHANTABILITY OR WARRANTY OF FITNESS FOR A PARTICULAR PURPOSE, WHETHER EXPRESS OR IMPLIED BY LAW, COURSE OF DEALING, COURSE OF PERFORMANCE, USAGE OF TRADE OR OTHERWISE. BUYER ASSUMES ALL LIABILITY IN USE OF THE EQUIPMENT.

**NEED HELP?**

**CONTACT US FIRST.**

**1 (800) 605-8241**

[info@titandistributorsinc.com](mailto:info@titandistributorsinc.com) / [www.titan.fitness](http://www.titan.fitness)

**Business Hours: Monday–Friday • 8:00 a.m.–5:00 p.m. (CT)**

