

KAMADO CERAMIC CHARCOAL GRILL

21CERGRL1-21CERGRL2

400872



TITAN
GREAT OUTDOORS

Operator's Manual



Read the Operator's Manual entirely. When you see this symbol, the subsequent instructions and warnings are serious follow without exception. Your life and the lives of others depend on it!

USER INSTRUCTIONS – PLEASE KEEP FOR FUTURE REFERENCE

IMPORTANT

- Carefully remove any packaging before use but retain the safety instructions.
- These instructions form part of the product.
- Please take note of all the safety warning listing in these instructions.
- Please read these instructions in their entirety and retain them for future reference.
- These instructions should be stored with the product.
- This product is for domestic use ONLY and should not be used commercially or for contract purposes.

ABOUT YOUR KAMADO

Dating back 4,000 years ago archaeologists have discovered large clay vessels thought to be early incantations of the Kamado ceramic cooker. Since then, it has evolved in many ways; removable lid, added draft door for better heat control and switched from wood to charcoal as the primary fuel. In Japan, the Mushikamado was a round clay pot with a removable domed lid designed for steaming rice. The name 'Kamado' is in fact the Japanese word for 'stove' or 'cooking range.' This name was adopted by the Americans and has now become a generic term for this style of ceramic cooker.

Kamado cookers are extremely versatile. Not only can they be used for grilling or smoking but also pizzas, bread, pies, and cookies can be baked effortlessly inside them. Due to their excellent heat retention properties, high temperatures can be achieved and maintained by precise control of airflow via the top and bottom vents. High temperatures are ideal for fast cooking burgers and sausages whilst low heats will cook larger joints over a longer period of time. Why not try adding some wood chips to the charcoal or try combining different flavor wood chips to make your meats even more flavorsome.

WARNINGS – CAUTION!

- This product is intended FOR OUTDOOR USE ONLY. DO NOT use indoors.
- ALWAYS keep children and pets at a safe distance from the oven when in use.
- NEVER leave a burning fire unattended.
- DANGER of carbon monoxide poisoning – NEVER light this product or let it smolder or cool down in confined spaces.
- DO NOT use this product in a tent, caravan, car, cellar, loft, or boat.
- DO NOT use under any awnings, parasols, or gazebos.
- FIRE HAZARD – Hot embers may emit while in use.
- CAUTION - DO NOT use petrol, white spirit, lighter fluid, alcohol or other similar chemicals for lighting or relighting.
- It is highly recommended that you use lump charcoal in your Kamado. It burns for longer and produces less ash which can restrict the airflow.
- DO NOT use coal in this product.
- IMPORTANT: When opening the lid at high temperatures it is essential to lift the lid only slightly, allowing air to enter slowly and safely, preventing any backdraft or flare-ups that may cause injury.
- ALWAYS follow the FOOD COOKING INFORMATION stated on page 6 of this instruction manual
- DO NOT use the Kamado on decking or any other flammable surfaces such as dry grass, wood chips, leaves or decorative bark.
- Ensure that the Kamado is positioned at least 2 meters away from flammable items.
- DO NOT use this Kamado as a furnace.
- ATTENTION: This product will become very hot, DO NOT move it during operation.
- ALWAYS USE heat resistant gloves when handling hot ceramics or cooking surfaces.
- Allow the unit to cool down completely before moving or storing.
- Always inspect the unit prior to use for fatigue and damage and replace as and when necessary.

CURING THE KADADO

- To start a fire place rolled up newspaper with some lighter cubes or solid firelighters on the charcoal plate (7) in the BASE of the KAMADO. Then place 2 or 3 handfuls of lump charcoal over the top of the newspaper.
- DO NOT use petrol, white spirit, lighter fluid, alcohol or other similar chemicals for lighting or relighting.
- Open the bottom cent and light the newspaper using a long nosed lighter or safety matches.
- DO NOT overload the unit with fuel – of the fire is too intense this could damage the Kamado.
- Leave until all the fuel is used and extinguished.
- If the first burns are too high, it could damage the felt gasket seal before it has had the chance to mature properly.
- After first use inspect all fasteners for tightness. The metal and connecting your lid to the base will expand from the heat and this could become loose. It is recommended you check and if necessary, tighten the band with a spanner.
- You can now use your Kamado as normal.

EXTINGUISHING

- To extinguish unit – stop adding fuel and close all the vents and the lid to allow the fire to die naturally.
- DO NOT use water to extinguish the charcoals as this could damage the ceramic Kamado.

CARE AND SAFE USE GUIDELINES

STORAGE

- When not in use, and if stored outside cover the Kamado once completely cooled with a suitable rain cover.
- The chrome plated cooking grill is NOT dishwasher safe; use a mild detergent with warm water.
- When using the Kamado push down on both locking wheels to stop the unit moving about during use.
- It is recommended the Kamado be stored under cover in a garage or shed over winter for complete protection.

CLEANING

- The Kamado is self-cleaning. Heat it up to 260-degrees-Celsius for 30 minutes and it will scorch off all the food and debris.
- DO NOT use water or any other types of cleaning product to clean the inside of your Kamado. The walls are porous and will absorb any fluids used, this could cause the Kamado to crack. If the soot becomes excessive then use a wire brush or the ash tool (not supplied) to scrape off the carbon remnants before the next use.
- To clean the grills and grates use a non-abrasive cleaner once the unit has fully cooled.
- To clean the outer surface wait until the Kamado is cool and use a damp cloth with a mild detergent.

MAINTENANCE

- Tighten the bands and oil the hinge 2 times a year or more if needed.

LIGHTING, USAGE AND CARE INFORMATION

- Ensure the Kamado is positioned on a permanent, flat, level, heat resistant non-flammable surface
- Away from flammable items.
- Ensure the Kamado has a minimum of 2m overhead clearance and has a minimum 2m clearance

from other surrounding items.

- To start a fireplace rolled up newspaper with some lighter cubes or solid firelighters on the charcoal plate in the base of the Kamado. Then place 1 or 2 handfuls of lump charcoal over the top of the newspaper.
- DO NOT use petrol, white spirit, lighter fluid, alcohol or other similar chemicals for lighting or relighting.
- Open the bottom vent and light the newspaper using a long nosed lighter or safety matches. Once it has caught, leave the bottom vent and lid open for about 10 minutes to build a small bed of hot embers.
- It is recommended you do not stoke or turn the coals once they are alight. This allows the charcoals to burn more uniformly and efficiently.
- Once alight ONLY use heat resistant gloves when handling hot ceramics or cooking surfaces.
- See below for cooking instructions depending on temperature and duration.

LOW TEMPERATURE COOKING

- Light the lump charcoal according to the instructions above. DO NOT move or stoke the coals once lit.
- Open the bottom vent fully and leave the lid open for about 10 minutes to build a small bed of hot embers.
- Monitor the Kamado until it has risen to the desired temperature. See Page 6 for temperature cooking guide.
- Fully close the bottom vent to maintain the temperature.
- You are now ready to use the Kamado for cooking on.
- IMPORTANT: When opening the lid at high temperatures it is essential to lift the lid only slightly, allowing air to enter slowly and safely, preventing any backdraft or flare-ups that may cause injury.
- ALWAYS follow the FOOD COOKING INFORMATION stated on page 6 of this instruction manual.
- ALWAYS use heat resistant gloves when handling hot ceramics or cooking surfaces.

SMOKING GUIDE

- Follow the instructions above as if you were starting a slow cook
- Monitor the Kamado until it has risen to the desired temperature. See page 3 for a temperature cooking guide.
- Leave the bottom vent slightly open
- Close the top vent and continue to check the temperature for a few more minutes
- Using heat resistant gloves sprinkle the wood chips in a circle over the hot charcoal.
- You are now ready to use the Kamado to smoke
- TIP: soak your wood chips or cooking planks in water for 15 minutes to prolong the smoking process.
- IMPORTANT: When opening the lid at high temperatures it is essential to lift the lid only slightly, allowing air to enter slowly and safely, preventing any backdraft or flare ups that may cause injury.
- ALWAYS follow the FOOD COOKING INFORMATION stated on page 6 of this instruction Manual.

HIGH TEMPERATURE COOKING GUIDE

- Light the lump charcoal according to the instructions above.
- Close the lid and fully open the top and bottom vents.
- Monitor the Kamado until it has risen to the desired temperature. See Page 6 for temperature cooking guide.
- Close the top vent half way and continue to check the temperature for a few more minutes.
- You are now ready to use the Kamado for cooking on.
- IMPORTANT: When opening the lid at high temperatures it is essential to lift the lid only slightly,

allowing air to enter slowly and safely, preventing any backdraft or flare-ups that may cause injury.

- ALWAYS follow the FOOD COOKING INFORMATION stated on page 6 of this instruction manual.
- ALWAYS use heat resistant gloves when handling hot ceramics or cooking surfaces.







FOOD COOKING INFORMATION

- DO NOT cook until the fuel has a coating of ash.
- Please read and follow this advice when cooking on your Kamado.
- Always wash your hands before and after handling uncooked meat and before eating.
- Always keep raw meat away from cooked meat and other foods.
- Before cooking ensure the grill, surface and tools are clean and free of old food residue.
- DO NOT use the same utensils to handle cooked and uncooked food.
- Ensure all meat is cooked thoroughly before eating.
- CAUTION – eating raw or under cooked meat can cause food poisoning (e.g. bacteria strains such as E.coli).
- To reduce the risk of under cooked meat cut open to ensure it has cooked all the way through.
- CAUTION if the meat has been cooked sufficiently the meat juices should be clear and there should be no traces of pink/red juice or meat coloring.
- Pre-cooking larger pieces of meat and joints is recommended before finally cooking on your grill.
- After cooking on your Kamado always clean the grill cooking surfaces and utensils.

REFUELLING

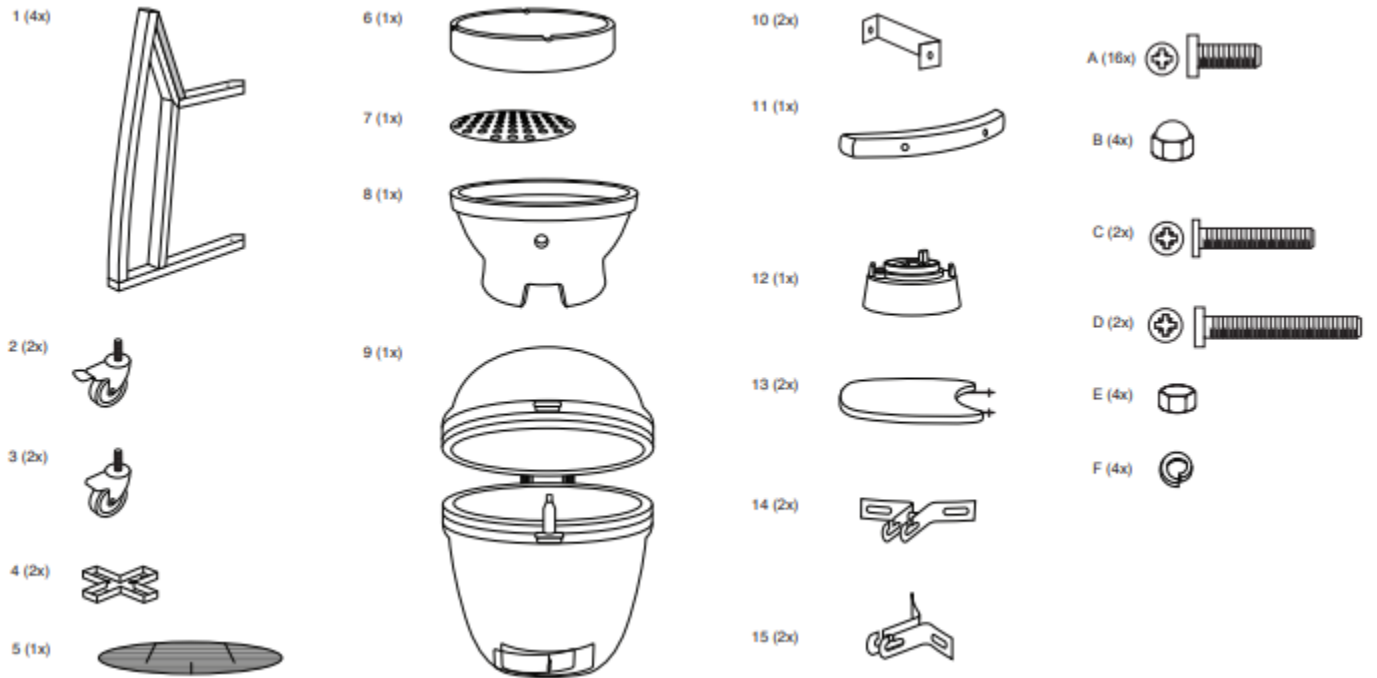
- With the vents closed, the Kamado stays at a high temperature for several hours. If you require a longer cooking time (e.g., when roasting a whole joint or slow smoking), it may be necessary to add more charcoal. Just add some additional charcoal and continue.

COOKING TEMPERATURE GUIDE

Slow cook / Smoke (110°C-135°C)		Top vent	Bottom vent
Beef Brisket	2 Hrs per lb.		
Pulled Pork	2 Hrs per lb.		
Whole Chicken	3-4 Hr.		
Ribs	3-5 Hrs.		
Roasts	9+ Hrs.		
Grill / Roast (160°C-180°C)		Top vent	Bottom vent
Fish	15-20 Min.		
Pork Tenderloin	15-30 Min.		
Chicken Pieces	30-45 Min.		
Whole Chicken	1-1.5 Hrs.		
Leg of lamb	3-4 Hrs.		
Turkey	2-4 Hrs.		
Ham	2-5 Hrs.		
Sear (260°C-370°C)		Top vent	Bottom vent
Steak	5-8 Min.		
Pork Chops	6-10 Min.		
Burgers	6-10 Min.		
Sausages	6-10 Min.		

Open ○ Closed ●

PARTS DIAGRAM / EXPLODED VIEW



Prior to assembly, read the instructions carefully. Check all parts against the parts list. Carry out assembly on a soft surface to avoid scratching the paint. Please retain this information for future reference.

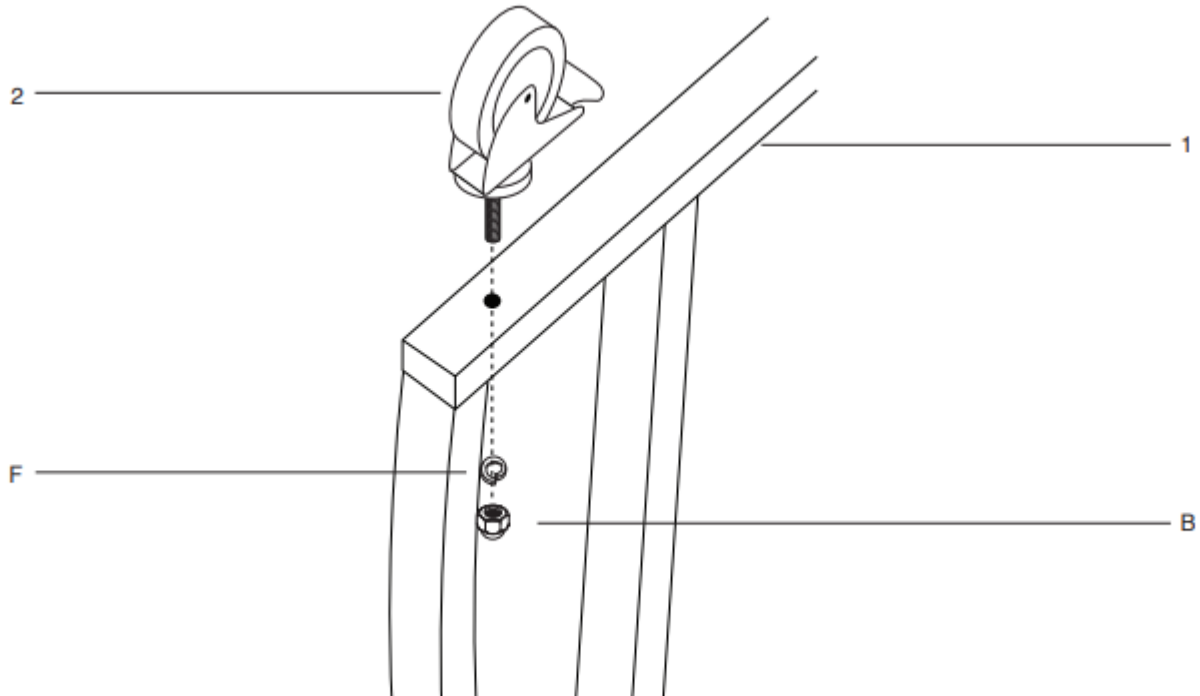
For ease of assembly only loosely tighten bolts and then tighten fully when assembly is complete.

WARNING - DO NOT OVER TIGHTEN THE BOLTS; only tighten with moderate pressure to avoid damaging the bolts or components of the Kamado Grill.

ASSEMBLY INSTRUCTIONS

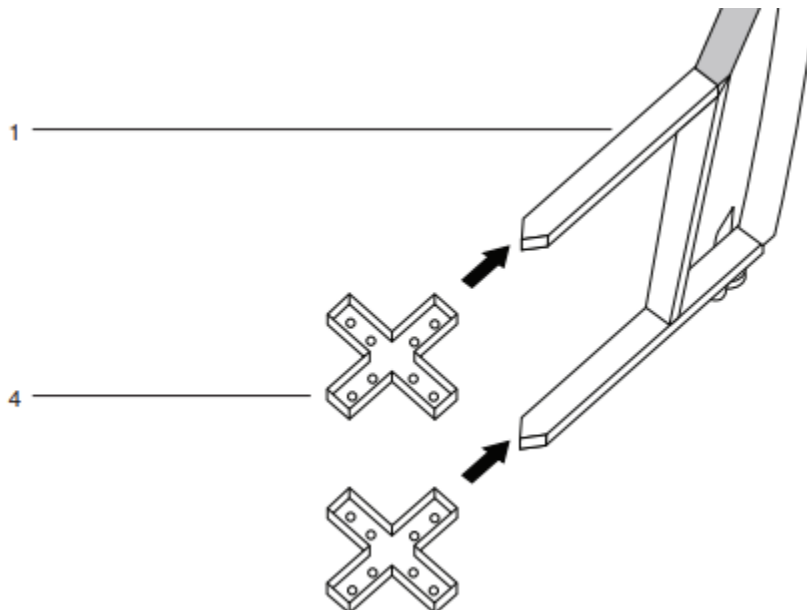
IMPORTANT

Remove any packaging before use but retain the safety instruction and store them with this product. Ensure that the lid is closed prior to assembly.



STEP 1

Attach the four pre-threaded **CASTOR WHEELS (2 & 3)** to each of the **FOUR BRACKETS (1)** by pushing them through the hole. Using an adjustable spanner secure each castor wheel with **1X NUT (B)**.

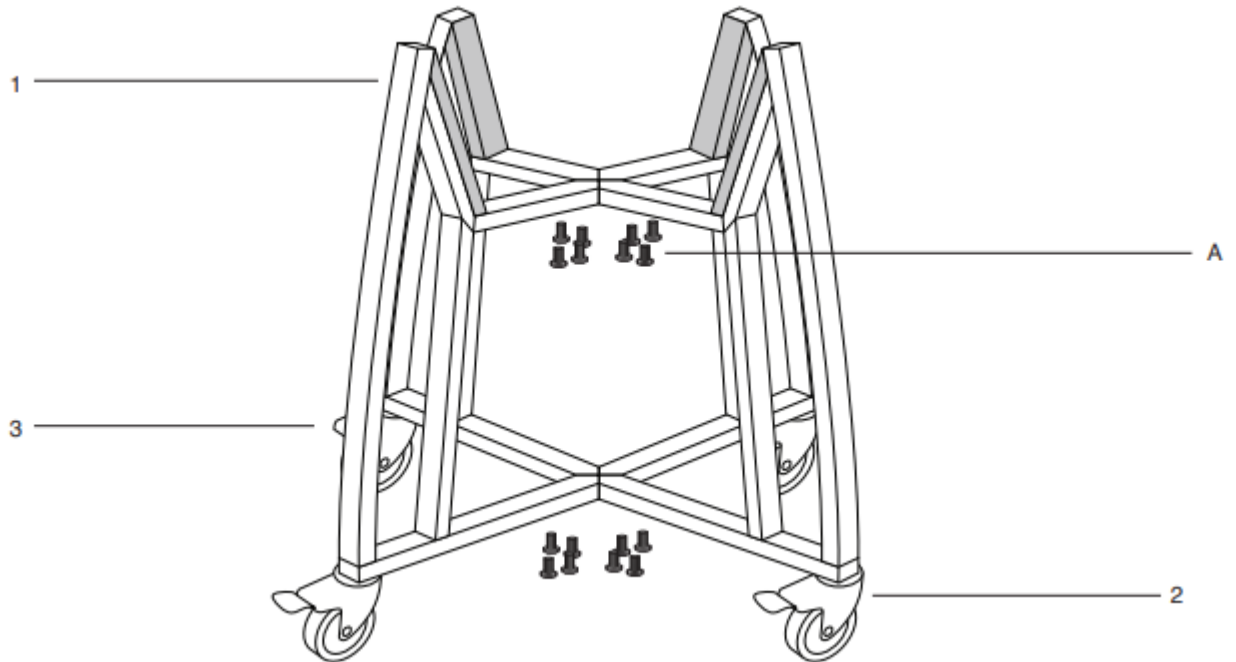


STEP 2

To assemble the cart, insert the **TWO CROSS PIECES (4)** into two of the **FOUR BRACKETS (1)** from both the top and bottom.

STEP 3

Continue to insert the **CROSS PIECES (4)** into the other **THREE BRACKETS (1)**.



STEP 4

Secure the **BRACKETS (1)** to the **CROSS PIECES (4)** by using the **16X SCREWS (A)**. Make sure the cart is secure and all screws are tight before placing the **KAMADO GRILL (9)** onto it.

STEP 5

To place the **KAMADO GRILL (9)** on the cart, first remove all the items that are inside of the grill to make lifting easier.

STEP 6

Use a minimum of two people when lifting the Kamado Grill onto the cart. Place one of your hands in the bottom vent of the grill and the other under the grill.

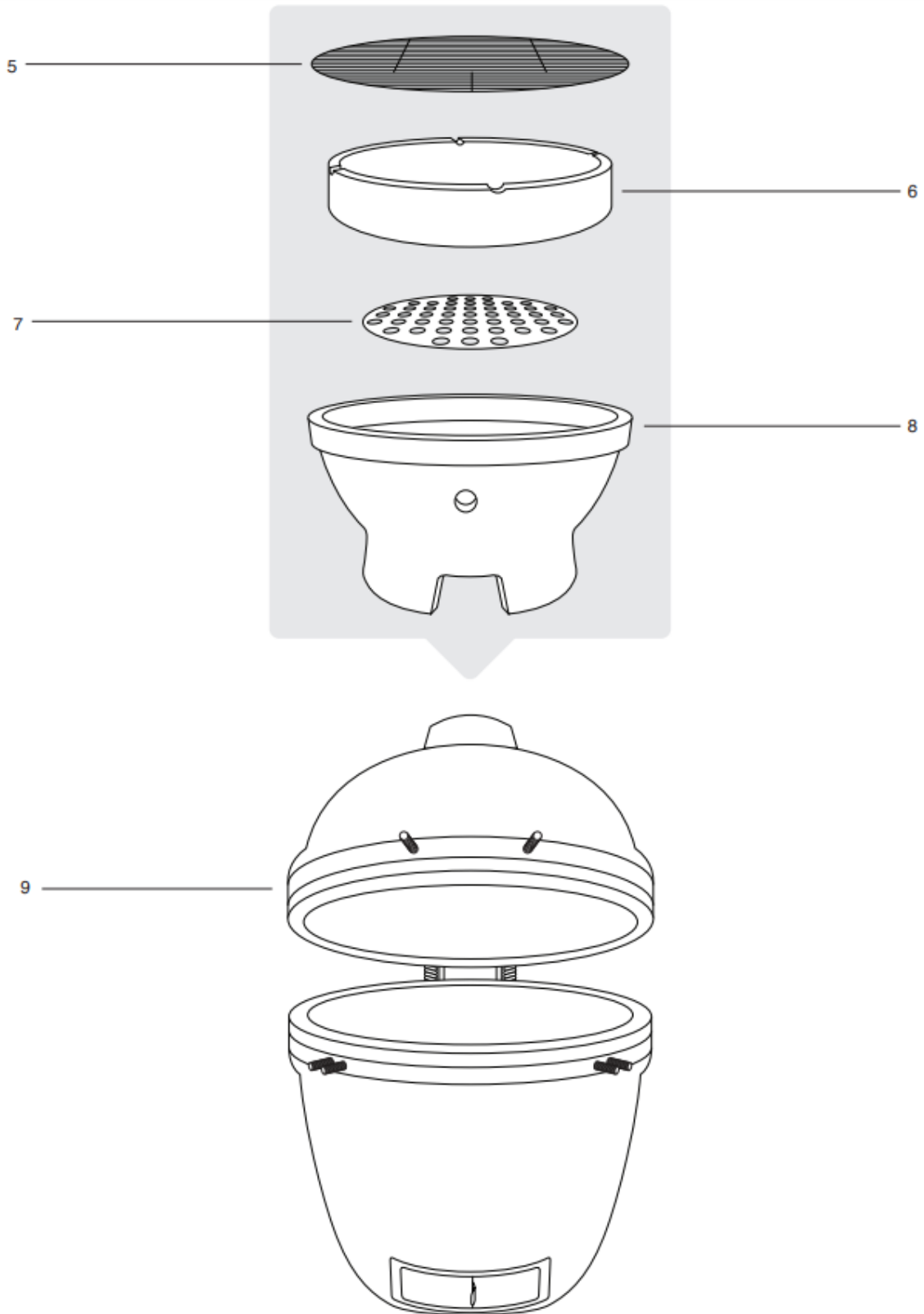
NOTE: Lifting by the hinge or the side tables could result in injury and damage to the product.

STEP 7

Place the Kamado Grill on the cart with the bottom vent facing to the front of the cart allowing the vent to open and close without any interruption.

STEP 8

When the grill is securely placed on the car add the FIREBOX (8), CHARCOAL PLATE (7), UPPER RING (6), and COOKING GRILL (5) inside of the Kamado Grill as displayed in the assembly diagram.

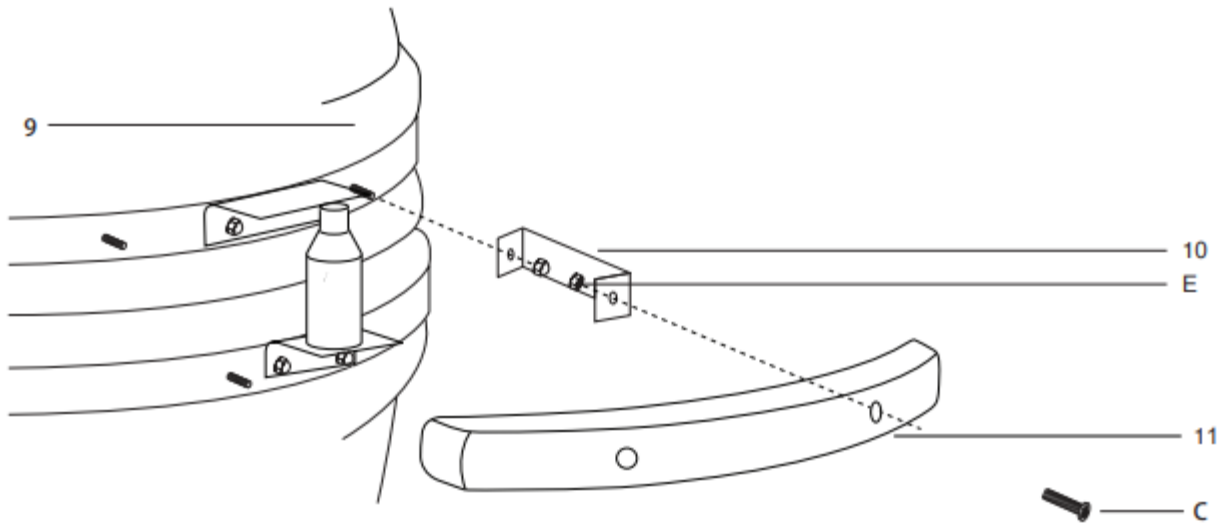


STEP 9

Press down on the castor levers (2) to lock the castor wheels to ensure the Kamado cannot move when in use.

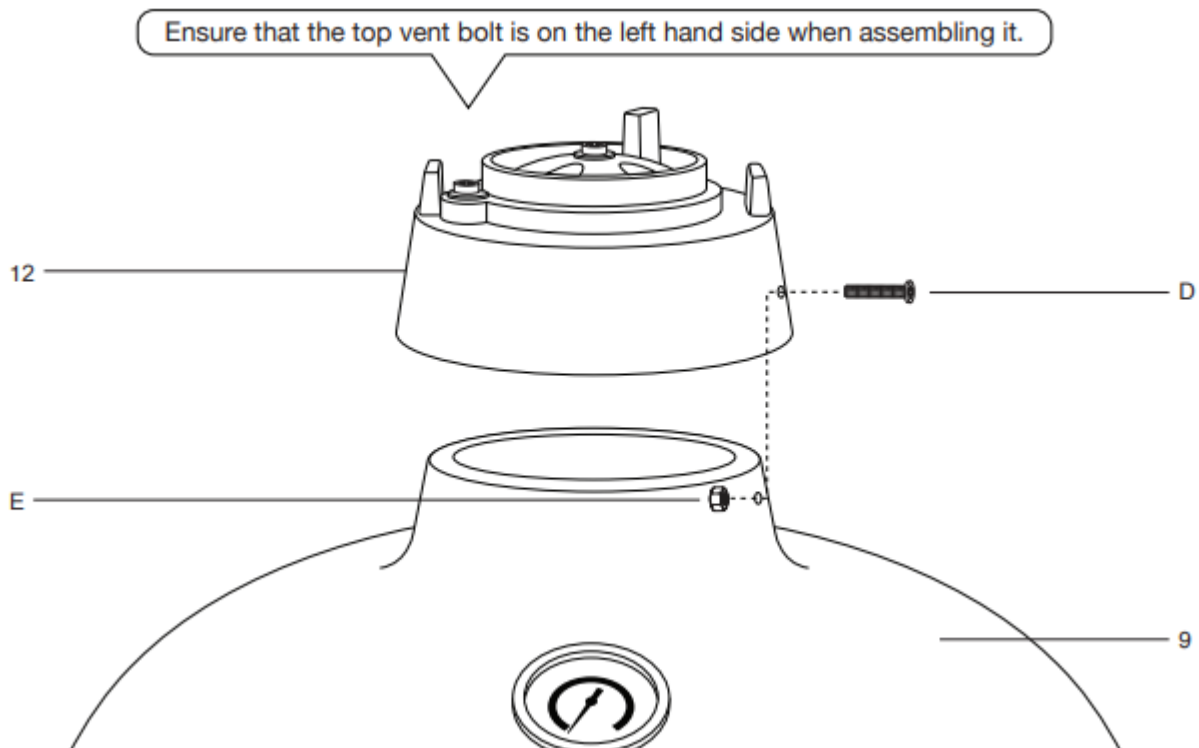
STEP 10

To attach the **HANDLE (10)** to the lid of the **KAMADO GRILL (9)** start by attaching **2x HANDLE BRACKETS (11)** using the 2x pre-attached bolts and dome headed nuts. Attach the **HANDE (11)** to the **BRACKETS (10)** using **2x BOLTS (C)** and **NUTS (E)**



STEP 11

To attach the **TOP VENT (12)** to the **KAMADO GRILL (9)** place it on top and align both bolt holes. Secure using **2x BOLTS (D)** and **NUTS (E)**. Ensure that the top vent bolt is on the left-hand side when assembling it.

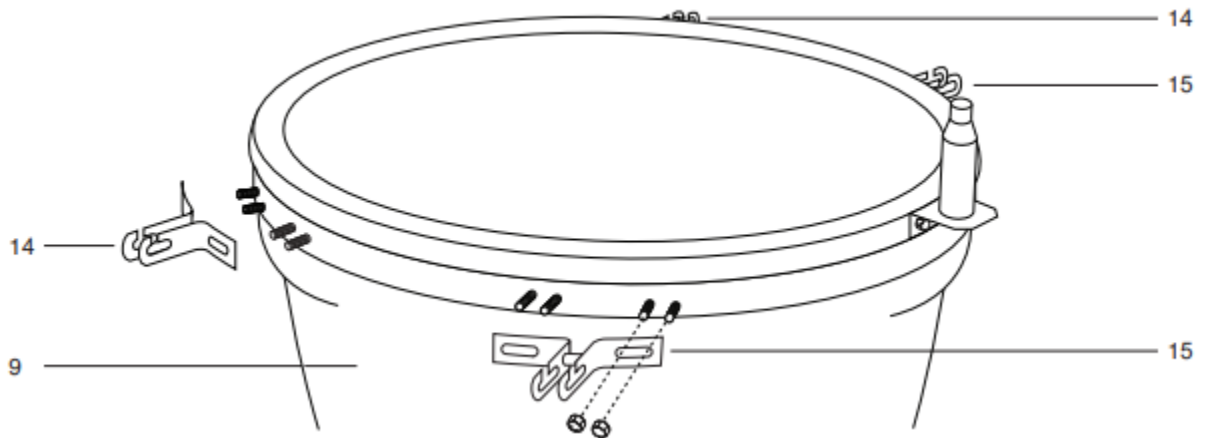


STEP 12

Attach the **2X TABLE BRACKETS R (14)** to the **KAMDO GRILL (9)** using the 4x pre-attached bolts and dome headed nuts per bracket. Please note the position shown in the diagram.

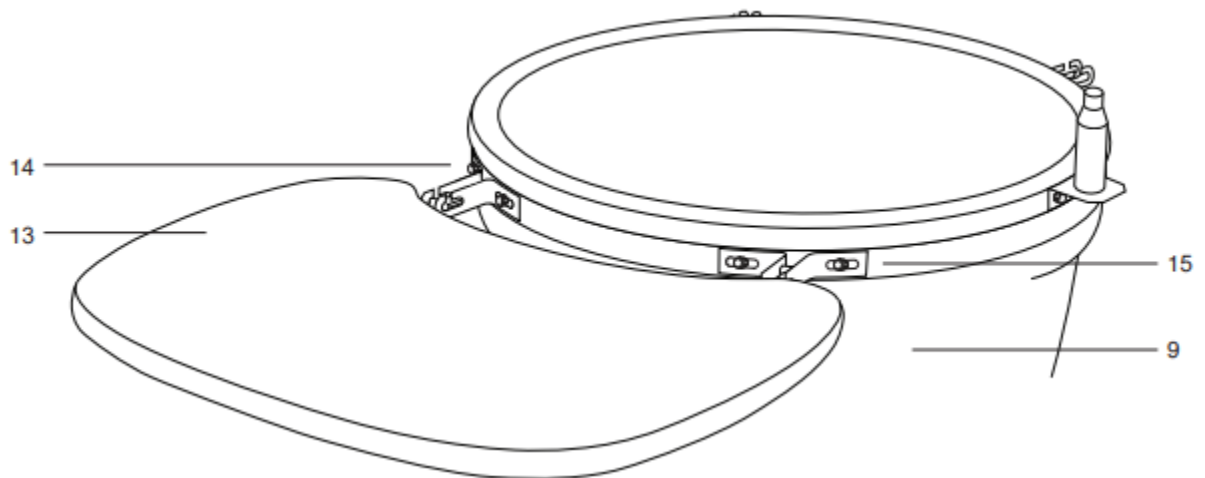
STEP 13

Attach the **2X TABLE BRACKETS L (15)** to the **KAMDO GRILL (9)** using the 4x pre-attached bolts and dome headed nuts per bracket. Please note the position shown in the diagram.



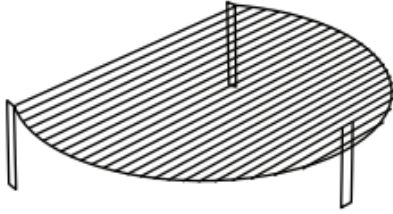
STEP 14

Insert the **2x TABLE HINGE** into each of the **TABLE BRACKETS (14 & 15)**



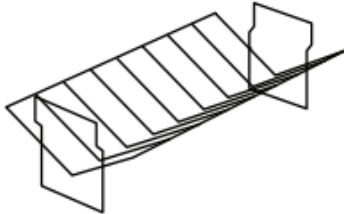
THE KAMADO GRILL IS NOW READY TO BE USED, BUT PLEASE ENSURE THAT YOU HAVE READ THE CURING INSTRUCTIONS THOROUGHLY PRIOR TO USE.

ACCESSORIES (AVAILABLE FOR PURCHASE SEPARATELY)



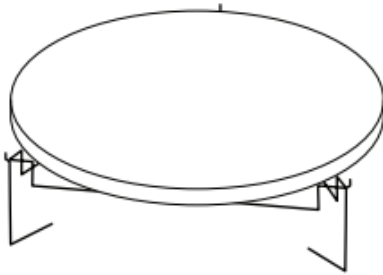
RAISED COOKING GRID

Stainless steel extra grill for additional cooking space.



RIB RACK

This stainless-steel rack is ideal for cooking perfect ribs.



PIZZA STONE WITH SUPPORT FRAME

Essential accessory for evenly cooked, crispy pizzas, flat breads, and other delights.



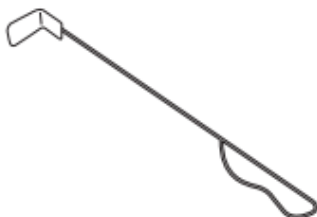
CLIP TOOL

Allows you to lift the Pizza Stone or Cooking Grills when they are too hot to handle.



RAIN COVER

When the Kamado has cooled and is not in use, cover it with the Kamado rain cover for extra protection.



ASH TOOL

Once your Kamado has burnt all its fuel and cooled down, use this tool for removing the ash from the bottom.

ACKNOWLEDGEMENT OF RISK AND RELEASE OF LIABILITY

The use of any equipment, including this one, involves the potential risk of injury. Apart from any warranty claim that might be presented for a claimed defect in material or workmanship of the product, you accept and assume full responsibility for any and all injuries, damages (both economic and non-economic), and losses of any type, which may occur, and you fully and forever release and discharge Titan, its insurers, employees, officers, directors, associates, and agents from any and all claims, demands, damages, rights of action, or causes of action, present or future, whether the same be known or unknown, anticipated, or unanticipated, resulting from or arising out of the use of said equipment.

This equipment must be used with care by capable and competent individuals under supervision, if necessary.

WARNING



Heavy object. Use lifting aids and proper lifting techniques when moving.



Choking hazard. Small parts – Please exercise caution if small children or pets are present.



Sharp objects may be involved. Use precaution and protection.

TITAN LIMITED WARRANTY: TERMS, EXCLUSIONS AND LIMITATIONS OF REMEDIES

This product comes with a one (1) year limited warranty that can be found at www.titangreatoutdoors.com/warranty.html. Please review the same for all details regarding the Titan Limited Warranty.

THE TITAN LIMITED WARRANTY FOUND AT WWW.TITANGREATOUTDOORS.COM/WARRANTY.HTML IS EXCLUSIVE AND IS IN LIEU OF ALL OTHER WARRANTIES, EXPRESS OR IMPLIED, INCLUDING ANY IMPLIED WARRANTY OF MERCHANTABILITY AND/OR FITNESS FOR A PARTICULAR PURPOSE, EACH OF WHICH IS HEREBY DISCLAIMED.



NEED HELP? CONTACT US FIRST.

1-888-794-1455

info@titangreatoutdoors.com

www.titangreatoutdoors.com

© 2021 Titan Brands