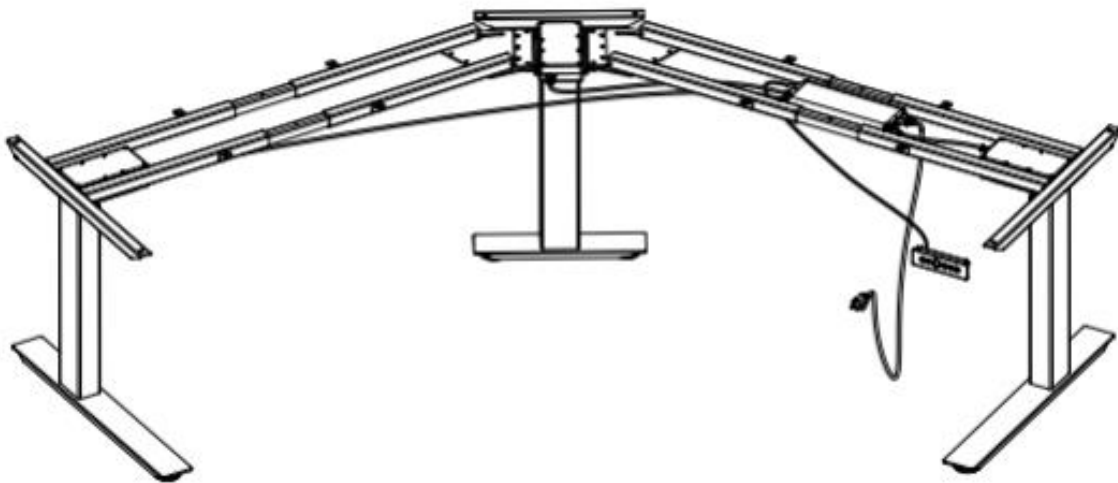




**TITAN**  
*FITNESS*



## OWNER'S MANUAL

---

**MPN(s): A6LSFRAME\_BK1, A6LSFRAME\_BK2**

**SKU(s): 403057, 403058**

**UPC(s): 840009204951, 840009205187**

# A6LS series parameter instruction

Electric Control Part:

Input Voltage:100-240Vac 50/60Hz Input current  $\leq$  3A

Output Voltage:24V DC, Max.6A

Duty cycle:10%MAX 2min on 18min off

Switch power supply,low energy consumption

Manual device can move and long press

Desk frame part:

built-in limit switch

Dynamic load:120KG

The maximum static load:140KG

Load speed:30mm/s

## Safety and warnings

This appliance can be used by children aged from 8 years and above and persons with reduced physical,sensory or mental capabilities or lack of experience and knowledge if they have been given supervision or instruction concerning use of the appliance in a safe way and understand the hazards involved.Children shall not play with the appliance.Cleaning and user maintenance shall not be made by children without supervision.

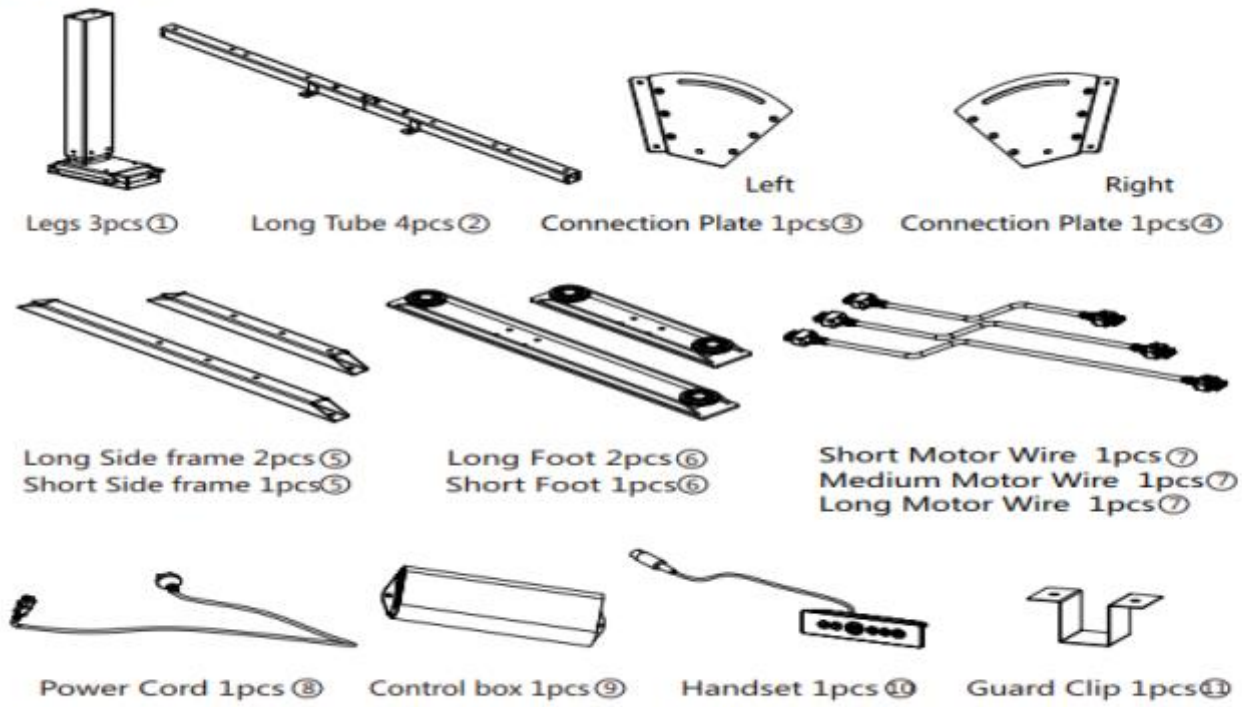
### Correct Disposal of this product



**This marking indicates that this product should not be disposed with other household wastes throughout the EU. To prevent possible harm to the environment or human health from uncontrolled waste disposal ,recycle it responsibly to promote the sustainable reuse of material resources.To return your used device,please use the return and collection systems or contact the retailer where the product was purchased.They can take this product for environmental safe recycling.**

# PARTS DIAGRAM / EXPLODED VIEW

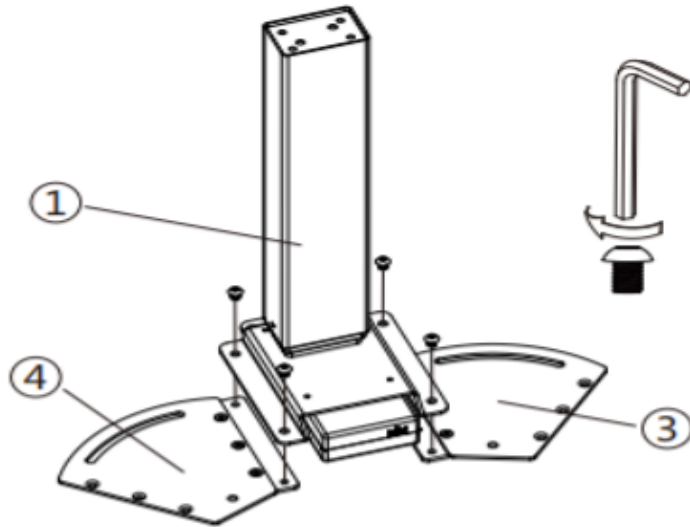
## Parts:



# ASSEMBLY INSTRUCTIONS

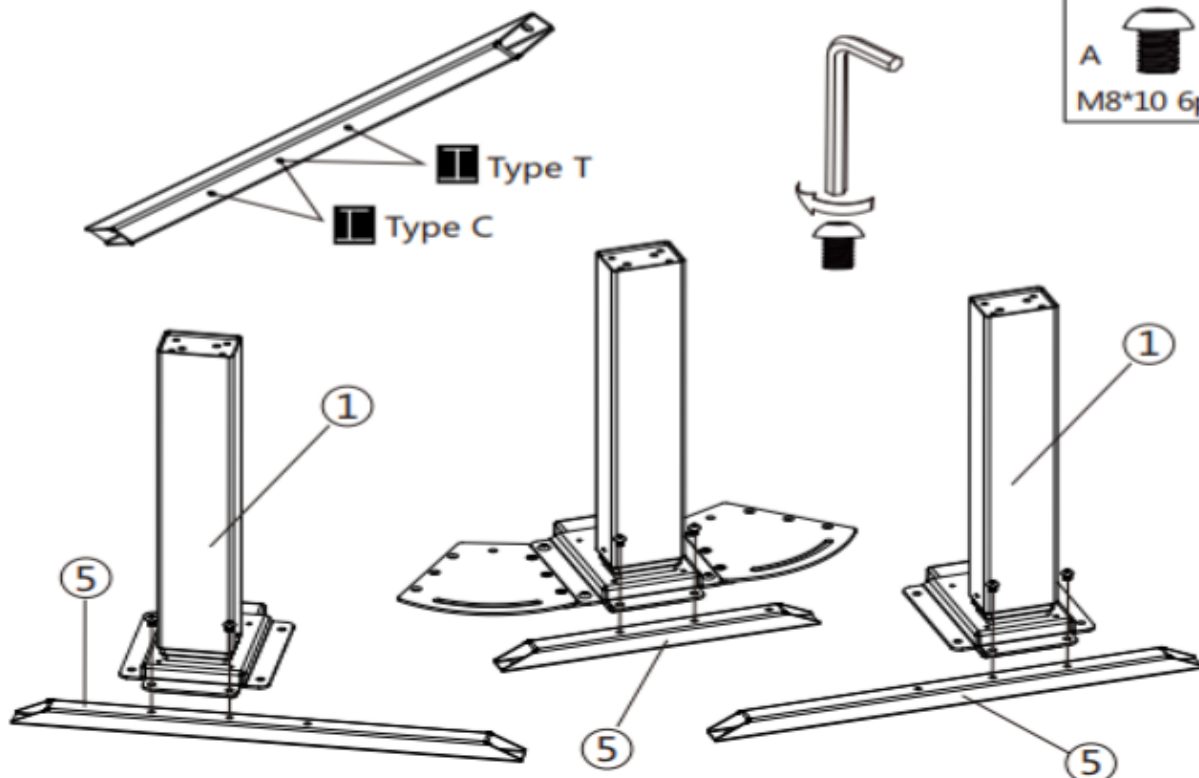
## Installation instruction

1



A   
M8\*10 4pcs

2



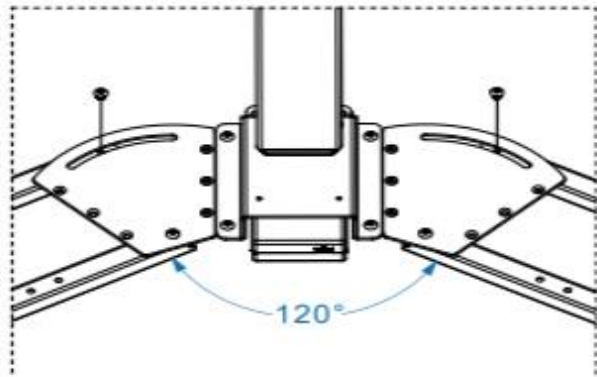
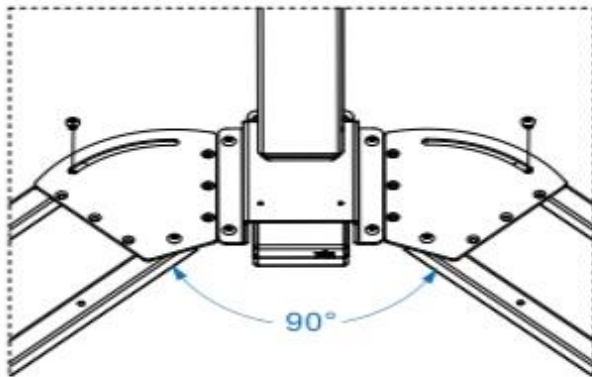
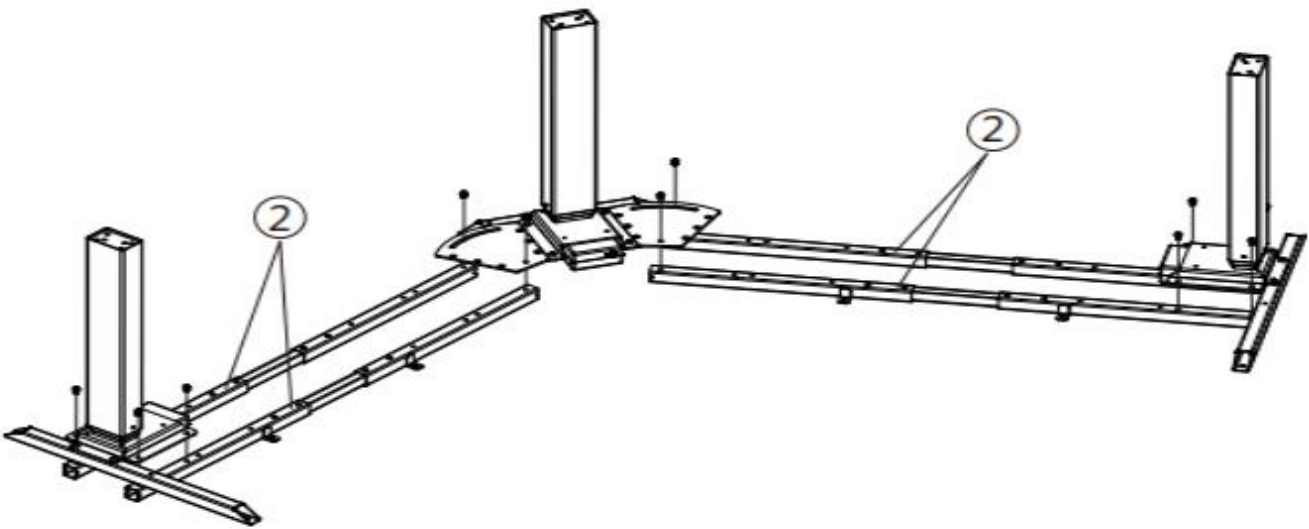
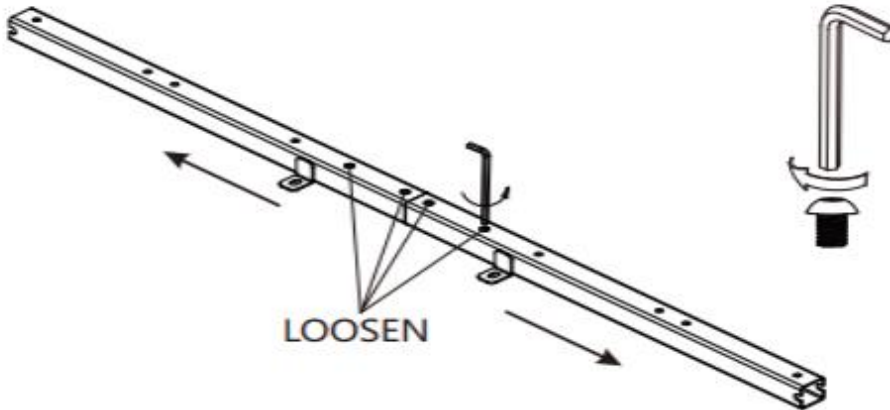
A   
M8\*10 6pcs



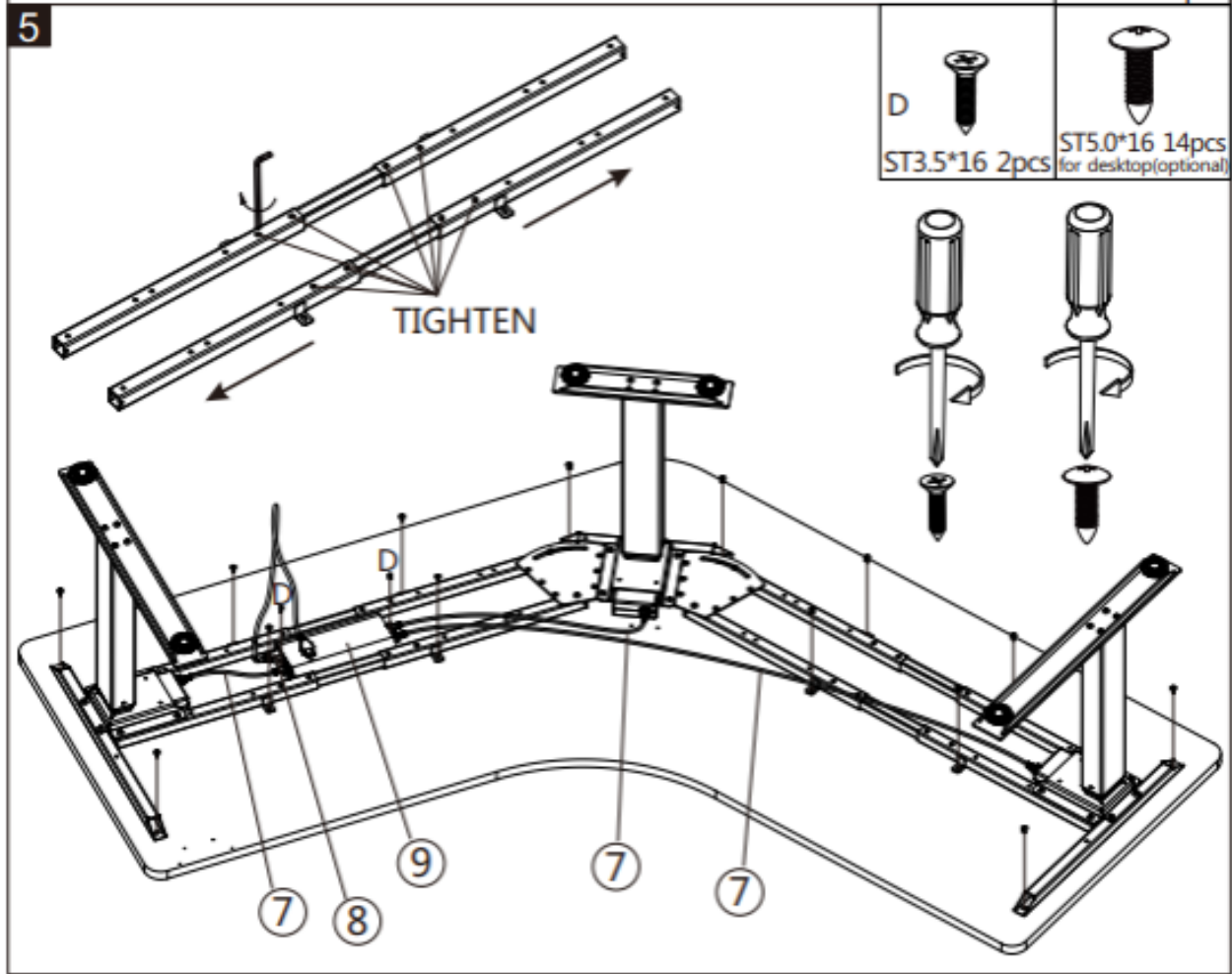
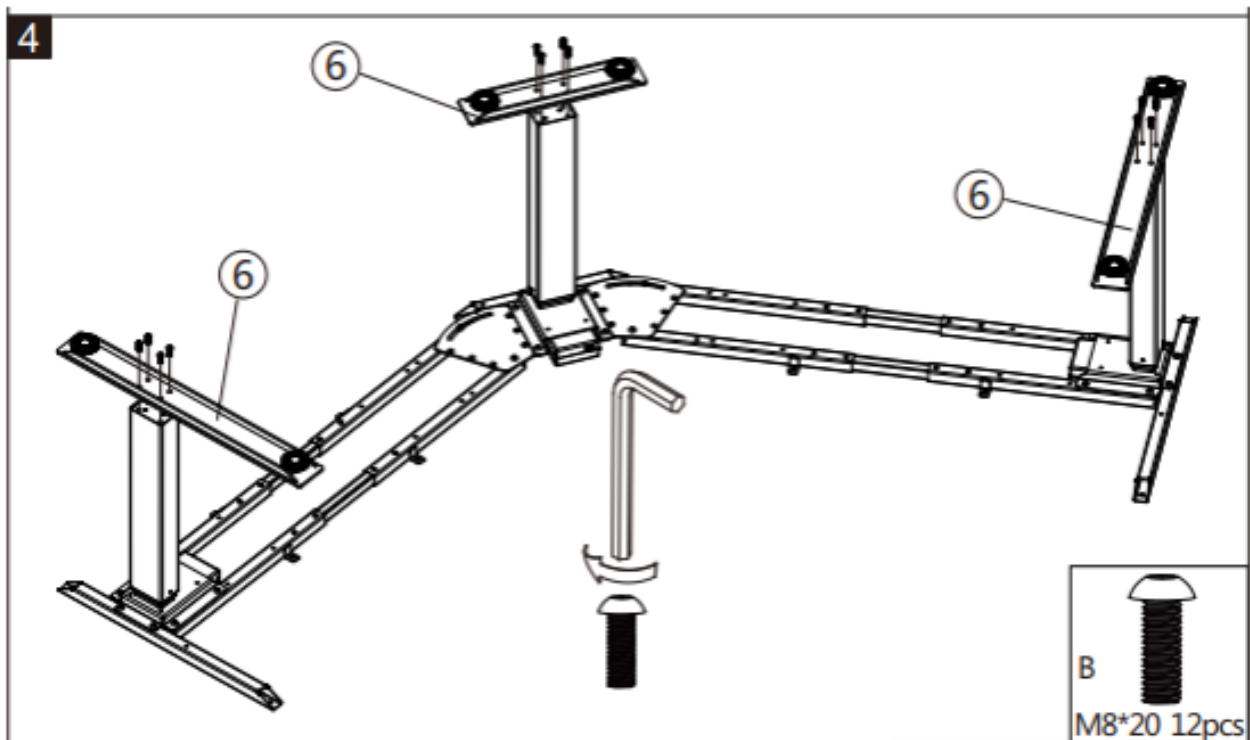
# Installation instruction

3

A  
M8\*10 12pc

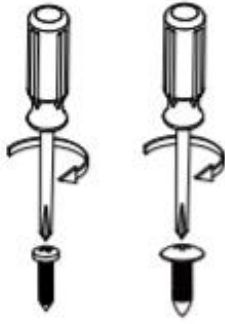






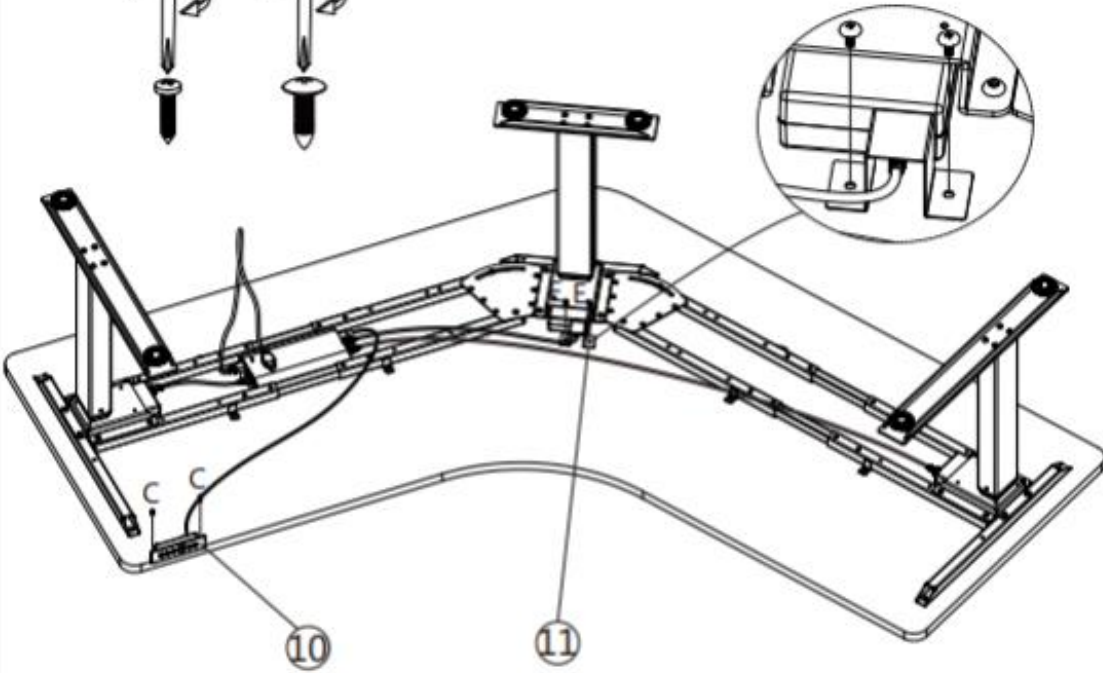
# Installation instruction

6

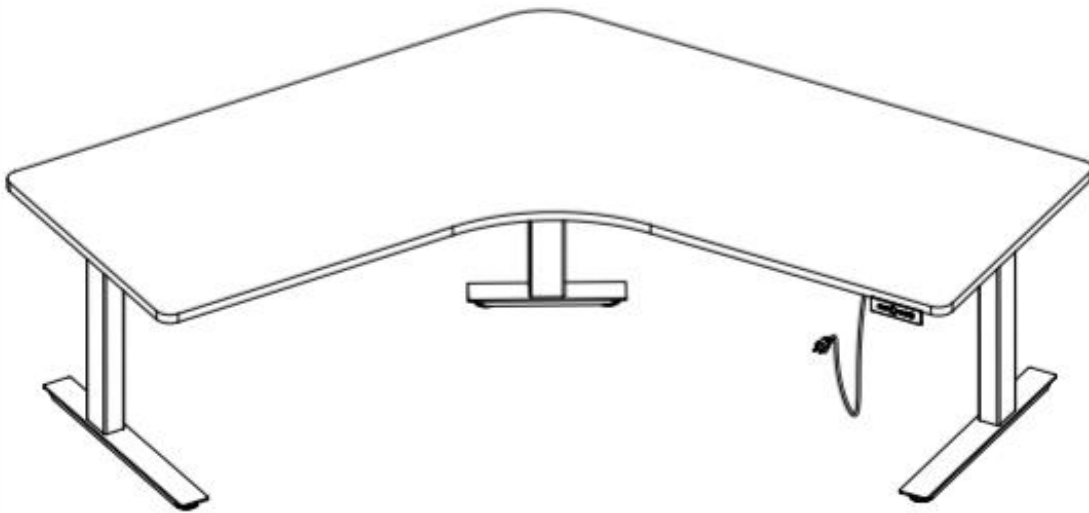


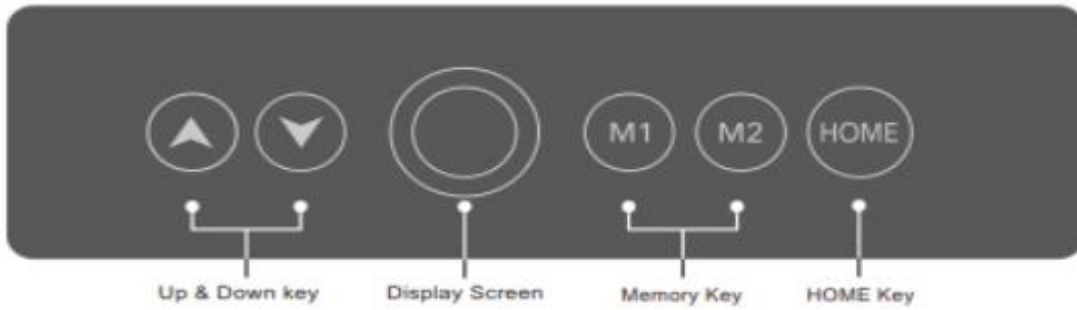
C  
ST3.5\*16 2pcs

E  
ST5.0\*16 2pcs



7





The whole handset surface is a touch panel. If there is no touch within 30 seconds, the screen is locked and M1/M2/HOME keys are locked correspondingly. You can touch Up or Down keys to unlock screen. When screen lightened, all keys unlocked and handset enter operation state.

■ **UP & DOWN Keys**

Please keep touching UP/DOWN key to adjust desk height until you get an optimum height.

■ **Display Screen**

Display the height value of the desk.

■ **Memory Key ( M1/M2 )**

After setting memory keys, the desk can lift automatically to memory height.

● How to set memory mode

Please keep touching M1/M2 key for 5 seconds, until "be" sound, the memory height is successfully saved. Then light touch M1/M2, the desk moves to memory height automatically.

■ **HOME Key**

Light touch HOME key. Desk height moves to 72cm automatically that is the optimum height for human body.

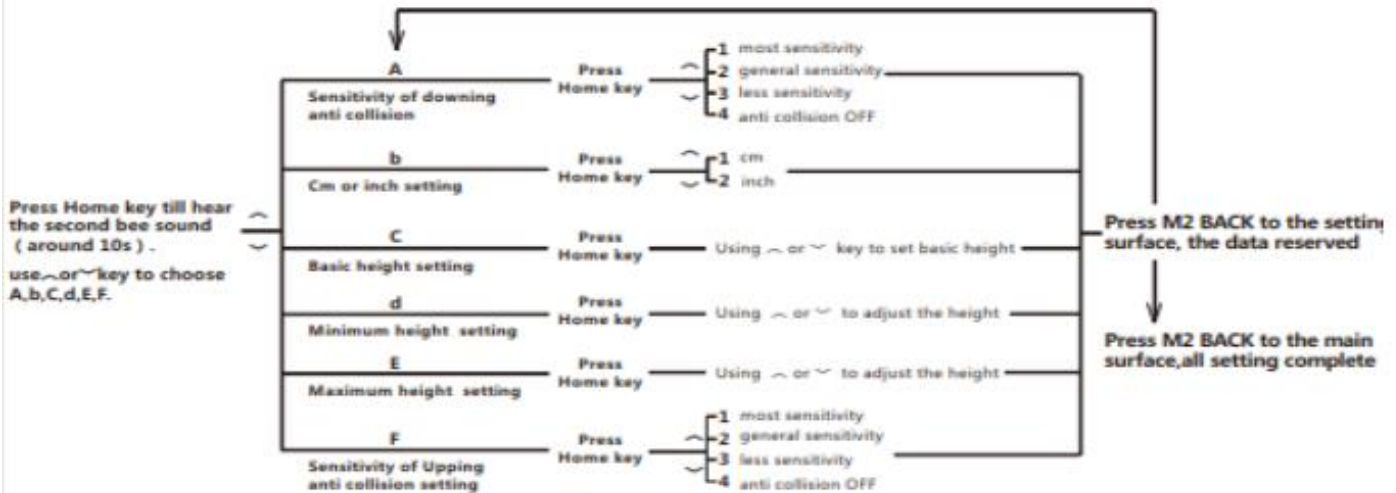
■ **Safety Function**

When the desktop is on the rise or down, encountered reverse resistance, the desk will rebound.

■ **Handset shows error code and solution**

Error code	Fault cause	Solution
ER1	Motor stop	Power off and restart. If fault still exists, it is motor problem.
ER2	Synchro error beyond 15mm	Power off and restart. If handset display RST(DOWN key unlocked), keep touching DOWN key to the lowest normal number.
ER3	Cable fault	Check motor cable off for broken, power off and restart.
ER4	Communication fault	Check cables for handset and controller, power off and restart.
ER5	Overload protection	2 legs load>180kg or 3 legs load>160kg, display ER5. Lighten loads, power off and restart.
Hot	Run continuously for 2.5 to 5 minutes.	Overload, power protection, automatic recovery after five minutes

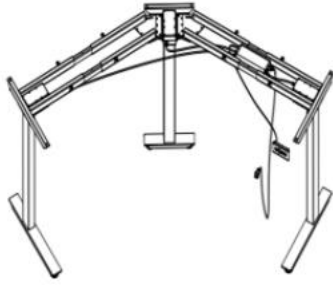
■ **Setting solution for desk function**



r1A0111







*This concludes the A6LSFRAME BK1, A6LSFRAME BK2 Owner's Manual.*

*If applicable to your product, make sure to tighten all nut-and-bolt combinations before use.*

*Enjoy!*

### **DISCLAIMER**

This equipment must be used with care by capable and competent individuals under supervision, if necessary.

The use of any fitness equipment, including this one, involves the potential risk of injury. You accept and assume full responsibility for any and all injuries, damages (both economic and non-economic), and losses of any type, which may occur, and you fully and forever release and discharge Titan, its insurers, employees, officers, directors, associates, and agents from any and all claims, demands, damages, rights of action, or causes of action, present or future, whether the same be known or unknown, anticipated, or unanticipated, resulting from or arising out of the use of said equipment.

TITAN MAKES NO WARRANTY WHATSOEVER WITH RESPECT TO THE EQUIPMENT, INCLUDING ANY WARRANTY OF MERCHANTABILITY OR WARRANTY OF FITNESS FOR A PARTICULAR PURPOSE, WHETHER EXPRESS OR IMPLIED BY LAW, COURSE OF DEALING, COURSE OF PERFORMANCE, USAGE OF TRADE OR OTHERWISE. BUYER ASSUMES ALL LIABILITY IN USE OF THE EQUIPMENT.

**NEED HELP?**

**CONTACT US FIRST.**

**1 (800) 605-8241**

**[info@titandistributorsinc.com](mailto:info@titandistributorsinc.com) / [www.titan.fitness](http://www.titan.fitness)**

**Business Hours: Monday–Friday • 8:00 a.m.–5:00 p.m. (CT)**

