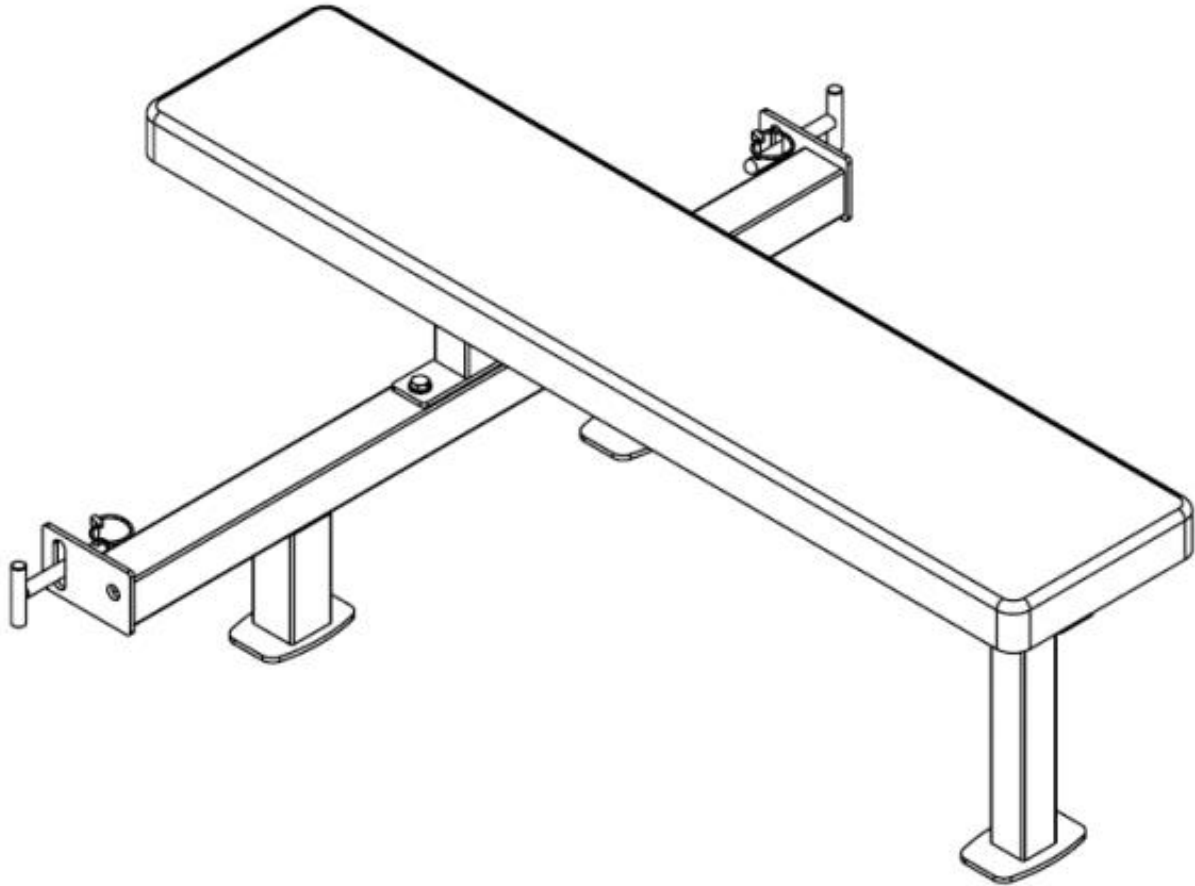




TITAN
FITNESS



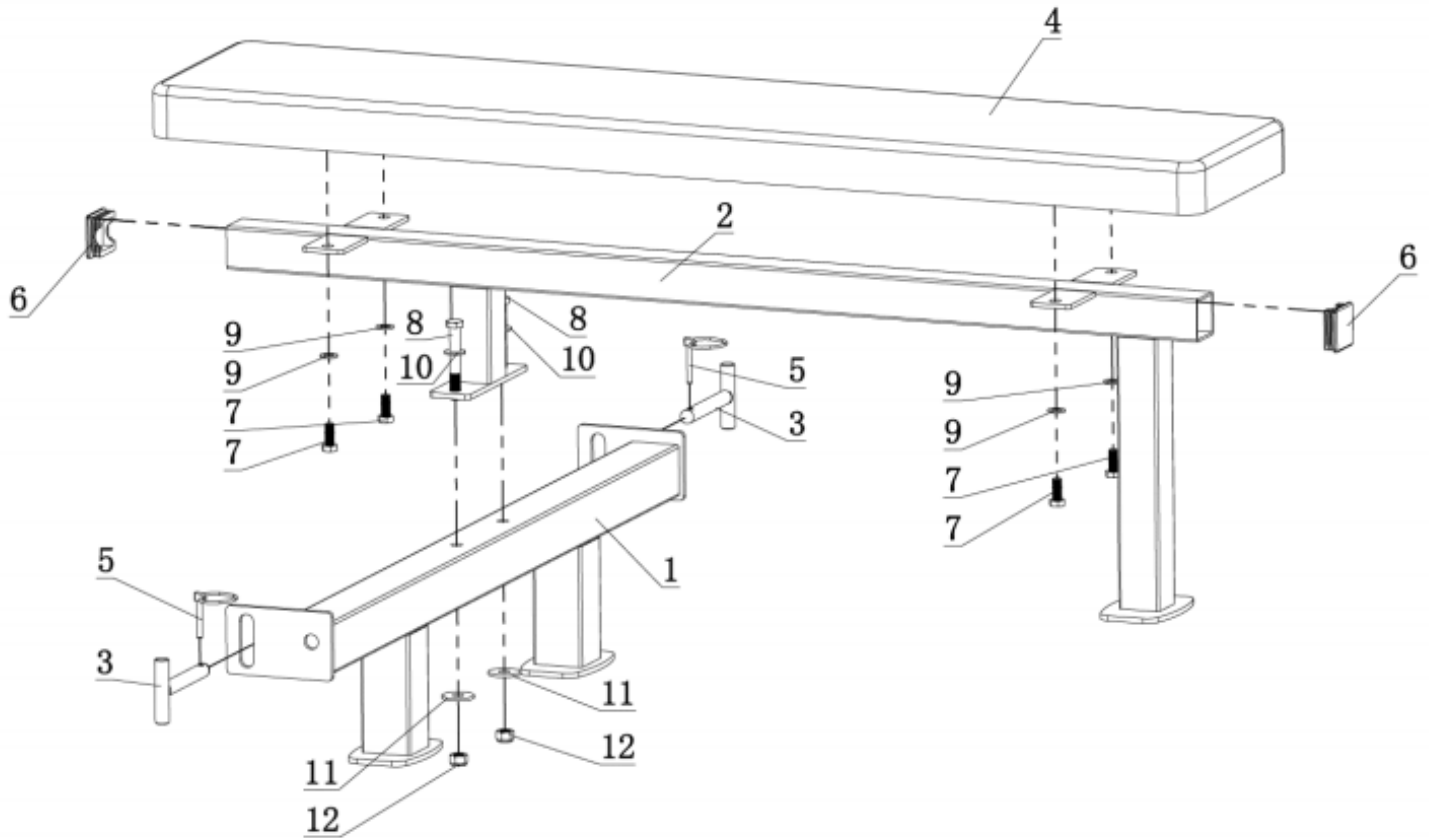
OWNER'S MANUAL

MPN(s): DPCMBH

SKU(s): 400922

UPC(s): 840009207402

PARTS DIAGRAM / EXPLODED VIEW



KEY	BOX	DESCRIPTION	QTY
(1)	1	Connecting Frame	1
(2)	1	Back Cushion Frame	1
(3)	1	Elastic String Frame	2
(4)	1	Back Cushion	1
(5)	1	Pin	2
(6)	1	End Cap □50*3	2
(7)	1	Hex Bolt M10*25	4
(8)	1	Hex Bolt M12*85	2
(9)	1	Flat Washer $\Phi 11 * \Phi 20 * 2$	4
(10)	1	Flat Washer $\Phi 13.5 * \Phi 24 * 2.5$	2
(11)	1	Big Washer $\Phi 13 * \Phi 37 * 3$	2
(12)	1	Nut M12	2

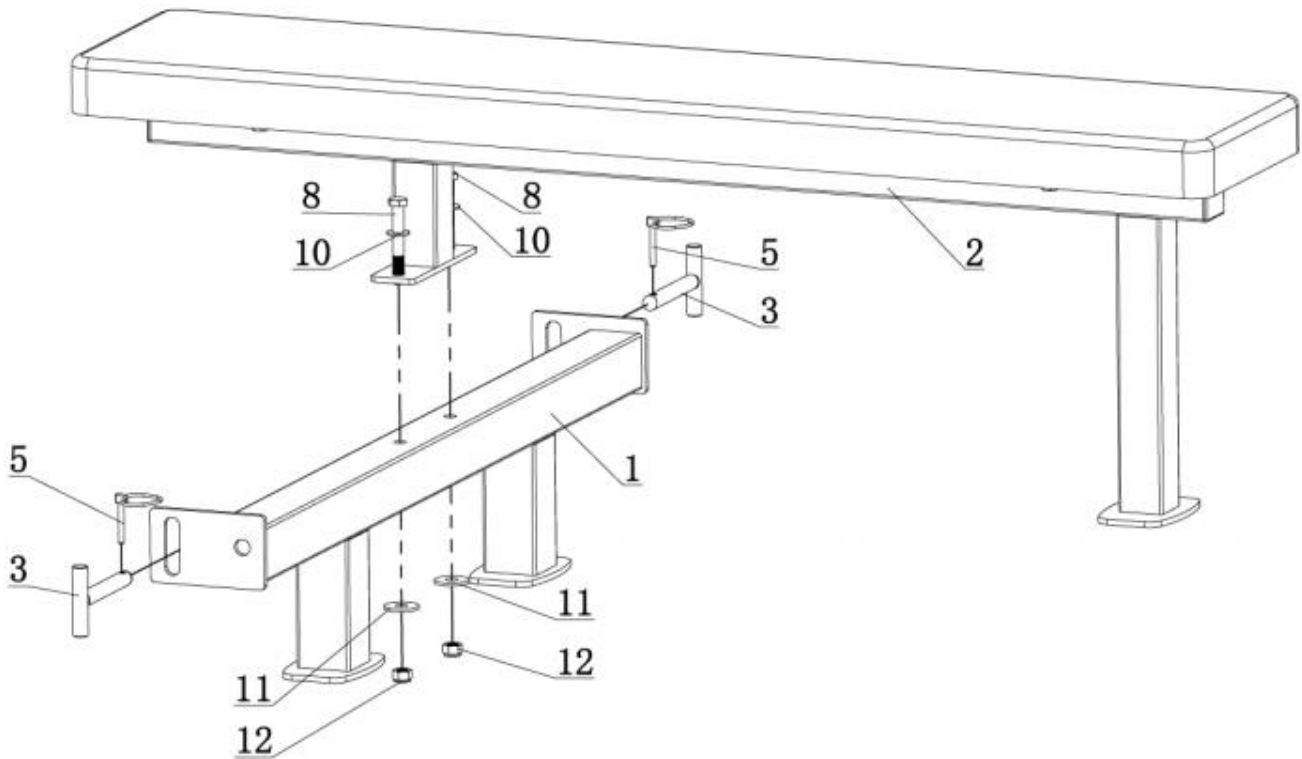


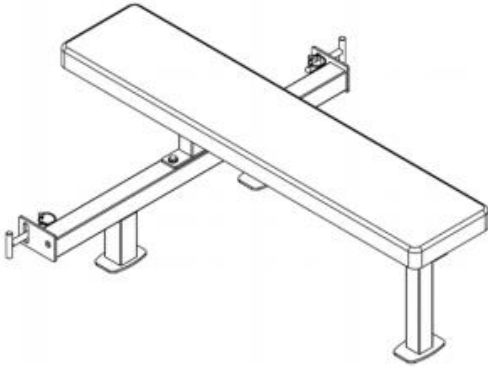
ASSEMBLY INSTRUCTIONS

Step 1

Connect Connecting Frame (1) and Back Cushion Frame (2), using Flat Washer (10), Big Washer (11), Nut M12(12) and Hex Bolt M12*85 (8). Tighten all the Bolts.

Fix the bench on Main Frame, using Elastic String Frame (3) and Pin (5).





This concludes the DPCMBH Owner's Manual.

If applicable to your product, make sure to tighten all nut-and-bolt combinations before use.

Enjoy!

DISCLAIMER

This equipment must be used with care by capable and competent individuals under supervision, if necessary.

The use of any fitness equipment, including this one, involves the potential risk of injury. You accept and assume full responsibility for any and all injuries, damages (both economic and non-economic), and losses of any type, which may occur, and you fully and forever release and discharge Titan, its insurers, employees, officers, directors, associates, and agents from any and all claims, demands, damages, rights of action, or causes of action, present or future, whether the same be known or unknown, anticipated, or unanticipated, resulting from or arising out of the use of said equipment.

TITAN MAKES NO WARRANTY WHATSOEVER WITH RESPECT TO THE EQUIPMENT, INCLUDING ANY WARRANTY OF MERCHANTABILITY OR WARRANTY OF FITNESS FOR A PARTICULAR PURPOSE, WHETHER EXPRESS OR IMPLIED BY LAW, COURSE OF DEALING, COURSE OF PERFORMANCE, USAGE OF TRADE OR OTHERWISE. BUYER ASSUMES ALL LIABILITY IN USE OF THE EQUIPMENT.

NEED HELP?

CONTACT US FIRST.

1 (800) 605-8241

info@titandistributorsinc.com / www.titan.fitness

Business Hours: Monday–Friday • 8:00 a.m.–5:00 p.m. (CT)

