



## OWNER'S MANUAL

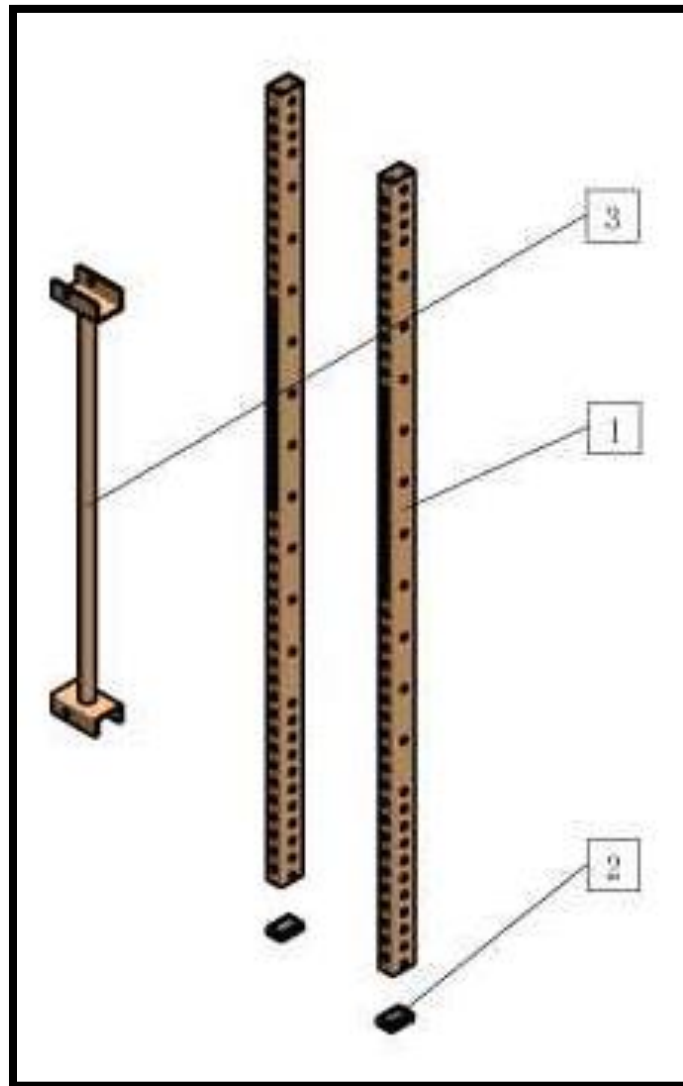
---

**MPN(s):** UPFPWRv2-4FPWR\_S

**SKU(s):** 400992

# PARTS DIAGRAM - UPFPWR v2

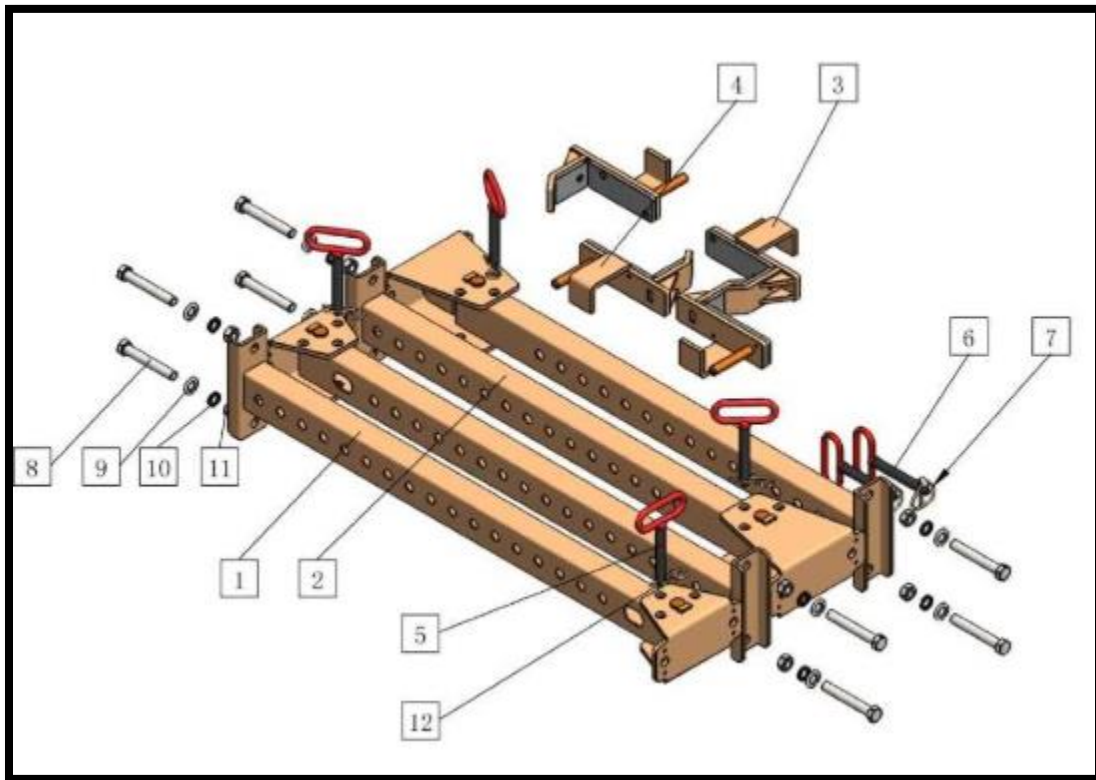
---



KEY	DESCRIPTION	QTY
(1)	UPRIGHT POST	x2
(2)	TUBE END CAP	x2
(3)	PULL-UP BAR	x1



# PARTS DIAGRAM - 4FPWR\_S



KEY	DESCRIPTION	QTY
(1)	SIDE BRACE – 1	x2
(2)	SIDE BRACE – 2	x2
(3)	JHOOK – LEFT	x2
(4)	JHOOK – RIGHT	x2
(5)	HINGE PIN $\Phi 16 \times 100 \times 3.2$	x4
(6)	PULL-UP BAR PIN $\Phi 16 \times 100 \times 6$	x2
(7)	PIN LOCK	x2
(8)	HEX BOLT M16x110	x8
(9)	FLAT WASHER M16	x8
(10)	SPRING WASHER M16	x8
(11)	HEX NUT M16	x8
(12)	COTTER PIN	x4





*This concludes the UFPWRv2-4FPWR\_S Owner's Manual.*

*Make sure to tighten all nut-and-bolt combinations before use.*

*Enjoy!*

### **DISCLAIMER**

This equipment must be used with care by capable and competent individuals under supervision, if necessary.

The use of any fitness equipment, including this one, involves the potential risk of injury. You accept and assume full responsibility for any and all injuries, damages (both economic and non-economic), and losses of any type, which may occur, and you fully and forever release and discharge Titan, its insurers, employees, officers, directors, associates, and agents from any and all claims, demands, damages, rights of action, or causes of action, present or future, whether the same be known or unknown, anticipated, or unanticipated, resulting from or arising out of the use of said equipment.

TITAN MAKES NO WARRANTY WHATSOEVER WITH RESPECT TO THE EQUIPMENT, INCLUDING ANY WARRANTY OF MERCHANTABILITY OR WARRANTY OF FITNESS FOR A PARTICULAR PURPOSE, WHETHER EXPRESS OR IMPLIED BY LAW, COURSE OF DEALING, COURSE OF PERFORMANCE, USAGE OF TRADE OR OTHERWISE. BUYER ASSUMES ALL LIABILITY IN USE OF THE EQUIPMENT.

**NEED HELP?**

**CONTACT US FIRST.**

**1 (800) 605-8241**

[info@titandistributorsinc.com](mailto:info@titandistributorsinc.com) / [www.titan.fitness](http://www.titan.fitness)

**Business Hours: Monday–Friday • 8:00 a.m.–5:00 p.m. (CT)**

