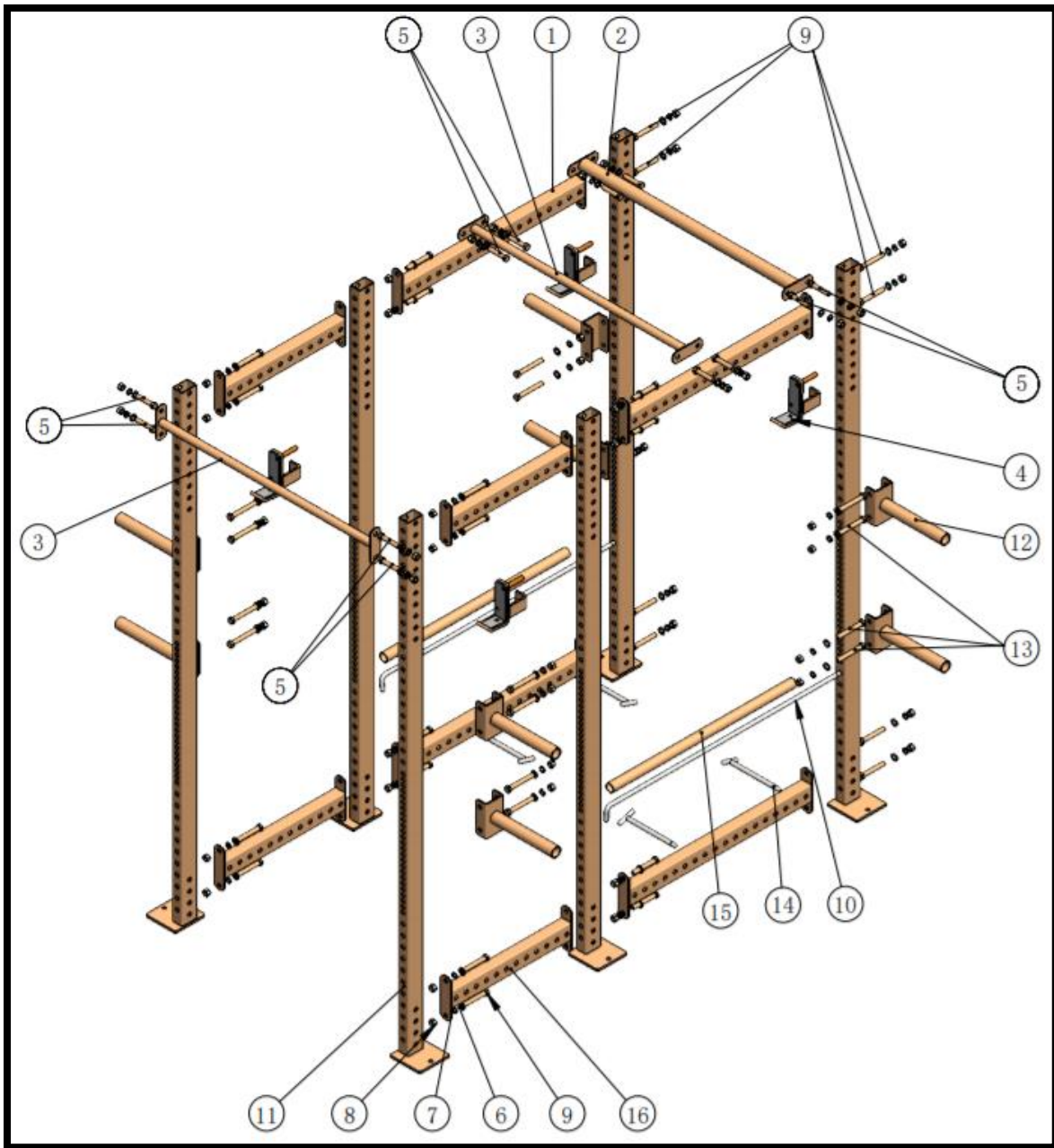




OWNER'S MANUAL

MPN(s): UPT3EXTv2-24T3EXT, UPT3EXTv2-36T3EXT

PARTS DIAGRAM / EXPLODED VIEW

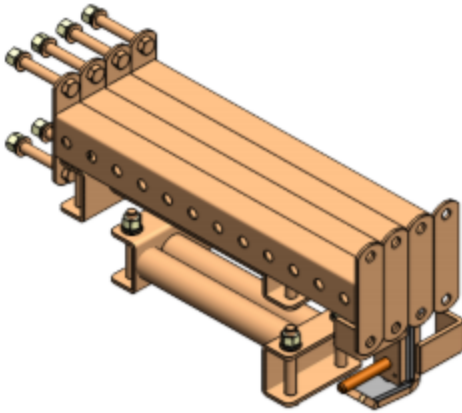


#	Part Description	Qty	#	Part Description	Qty
1	Side Brace (Main)	4	9	Hex Bolt M16x110	24
2	2" Pull Up Bar	1	10	Spotting Bar	2
3	1.25" Pull Up Bar	2	11	Upright Poles	6
4	HD Padded J-Hook	4	12	Weight Holder	8
5	Hex Bolt M16x80	12	13	Hex Bolt M16x120	16
6	Flat Washer 16	52	14	Band Peg	4
7	Spring Washer 16	52	15	Spotting Sleeve	2
8	Hex Nut M16	52	16	Side Brace (Ext)	4



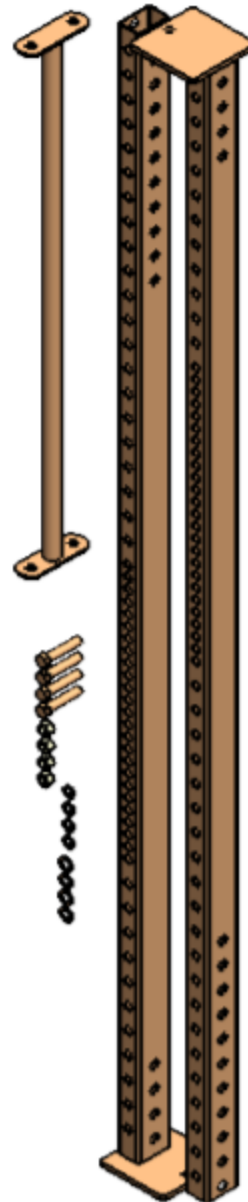
Included in Ext. Kit: 24T3EXT or 36T3EXT

4 Side Bracings (24" or 36" options), 4 Weight Holders, 2 HD Padded J-Hooks, and all hardware necessary to attach to your existing T-3 rack



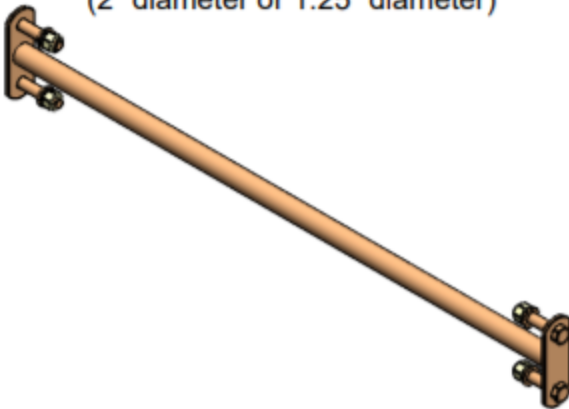
Included in Ext. Kit: UPT3EXT or UPSHT3EXT

2 Uprights (91" or 92" options), 1.25" Pull Up Bar with hardware (2" option sold separately)



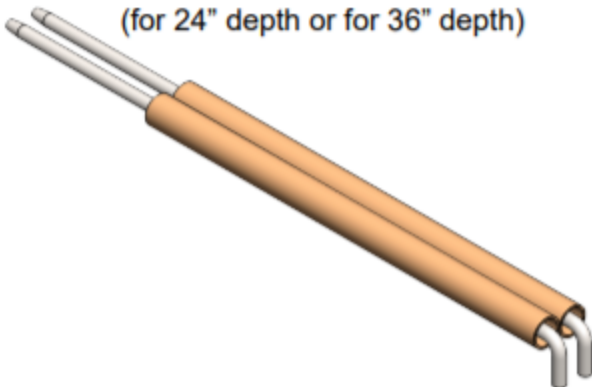
Sold Separately: PUB2HDPWR, PUB114HDPWR

Additional Pull Up Bars with Hardware
(2" diameter or 1.25" diameter)



Sold Separately: 24T3SPOT, 36T3SPOT

Extra Spotter Bars and Sleeves
(for 24" depth or for 36" depth)





This concludes the UPT3EXTv2-T3EXT Owner's Manual.

If applicable to your product, make sure to tighten all nut-and-bolt combinations before use.

Enjoy!

DISCLAIMER

This equipment must be used with care by capable and competent individuals under supervision, if necessary.

The use of any fitness equipment, including this one, involves the potential risk of injury. You accept and assume full responsibility for any and all injuries, damages (both economic and non-economic), and losses of any type, which may occur, and you fully and forever release and discharge Titan, its insurers, employees, officers, directors, associates, and agents from any and all claims, demands, damages, rights of action, or causes of action, present or future, whether the same be known or unknown, anticipated, or unanticipated, resulting from or arising out of the use of said equipment.

TITAN MAKES NO WARRANTY WHATSOEVER WITH RESPECT TO THE EQUIPMENT, INCLUDING ANY WARRANTY OF MERCHANTABILITY OR WARRANTY OF FITNESS FOR A PARTICULAR PURPOSE, WHETHER EXPRESS OR IMPLIED BY LAW, COURSE OF DEALING, COURSE OF PERFORMANCE, USAGE OF TRADE OR OTHERWISE. BUYER ASSUMES ALL LIABILITY IN USE OF THE EQUIPMENT.

NEED HELP?

CONTACT US FIRST.

1 (800) 605-8241

info@titandistributorsinc.com / www.titan.fitness

Business Hours: Monday–Friday • 8:00 a.m.–5:00 p.m. (CT)

