

T2 SERIES POWER RACKS

T2RACK71, T2RACK83

401079, 401080

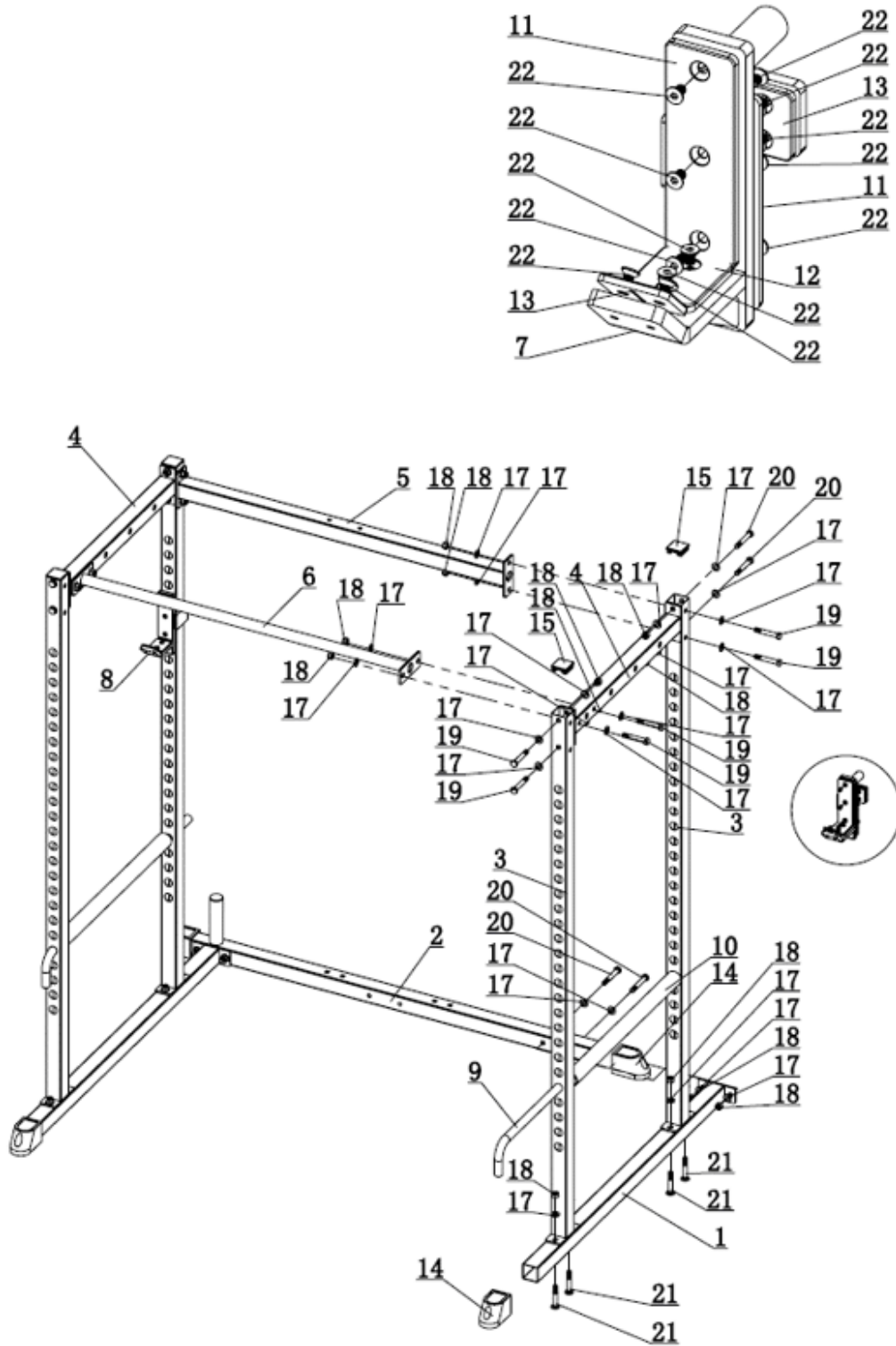


Operator's Manual

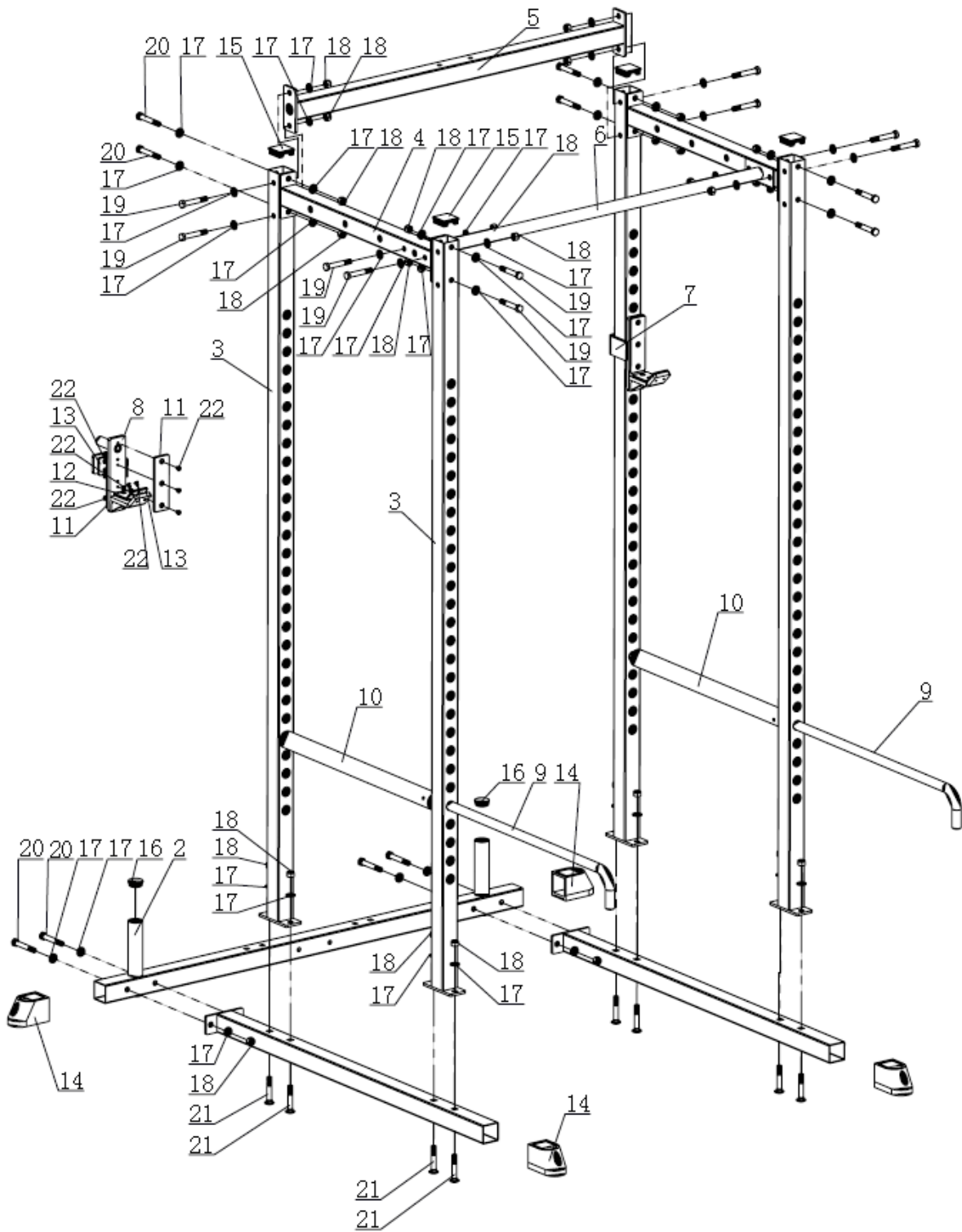


Read the Operator's Manual entirely. When you see this symbol, the subsequent instructions and warnings are serious follow without exception. Your life and the lives of others depend on it!

T2RACK71 PARTS DIAGRAM / EXPLODED VIEW



T2RACK83 PARTS DIAGRAM / EXPLODED VIEW



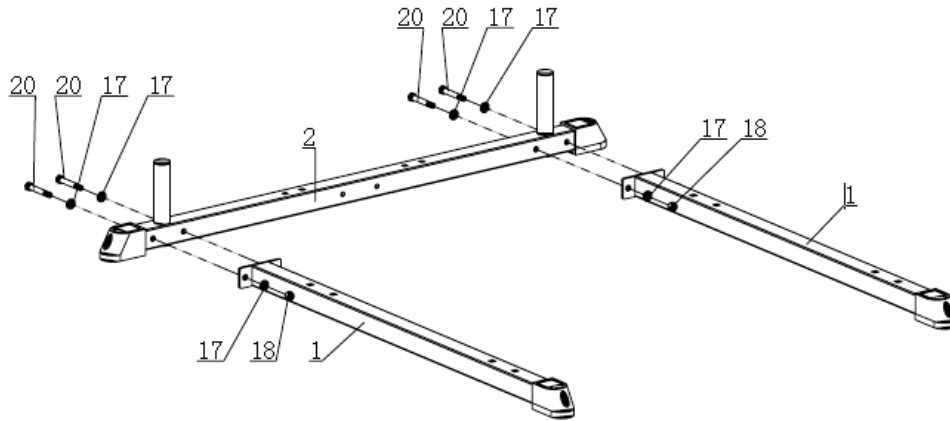
PARTS DIAGRAM / EXPLODED VIEW

KEY	BOX	DESCRIPTION	QTY
(1)	1	BASE FRAME	2
(2)	1	REAR BASE FRAME	1
(3)	1	UPRIGHT FRAME	4
(4)	1	UPPER CONNECTING FRAME	2
(5)	1	CONNECTING FRAME	1
(6)	1	PULL UP BAR	1
(7)	1	J-HOOK (L)	1
(8)	1	J-HOOK (R)	1
(9)	1	SAFETY BAR	2
(10)	1	OUTER PROTECTIVE PIPE	2
(11)	1	LONG PLASTIC PLATE	4
(12)	1	SHORT PLASTIC PLATE 58*48*5	2
(13)	1	FRONT PLASTIC PLATE 48*40*5	4
(14)	1	HORSESHOE SLEEVE Φ 50	4
(15)	1	END CAP Φ 50*2	4
(16)	1	END CAP Φ 38*2	2
(17)	1	FLAT WASHER Φ 13.5* Φ 24*2.5	48
(18)	1	M12 NUT	28
(19)	1	HEX BOLT M12*75	12
(20)	1	HEX BOLT M12*80	8
(21)	1	CARRIAGE BOLT M12*70	8
(22)	1	SCREW M6*10	24

ASSEMBLY INSTRUCTIONS

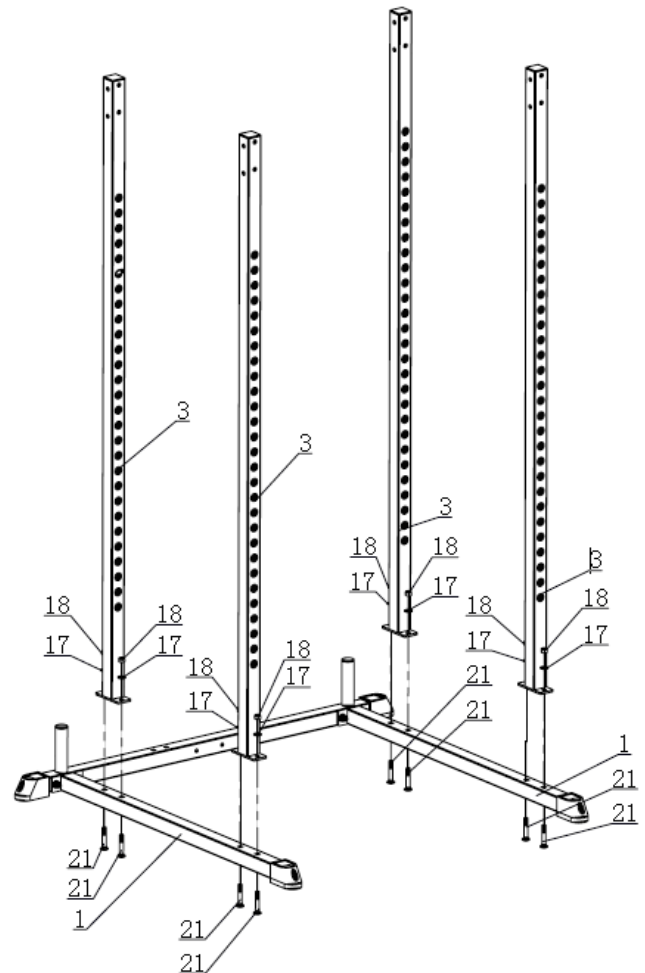
STEP 1

Connect the **BASE FRAME (1)** and **REAR BASE FRAME (2)**, using **FLAT WASHER $\Phi 13.5 \times \Phi 24 \times 2.5$ (17)**, **M12 NUT (18)** and **HEX BOLT M12*80 (20)**.



STEP 2

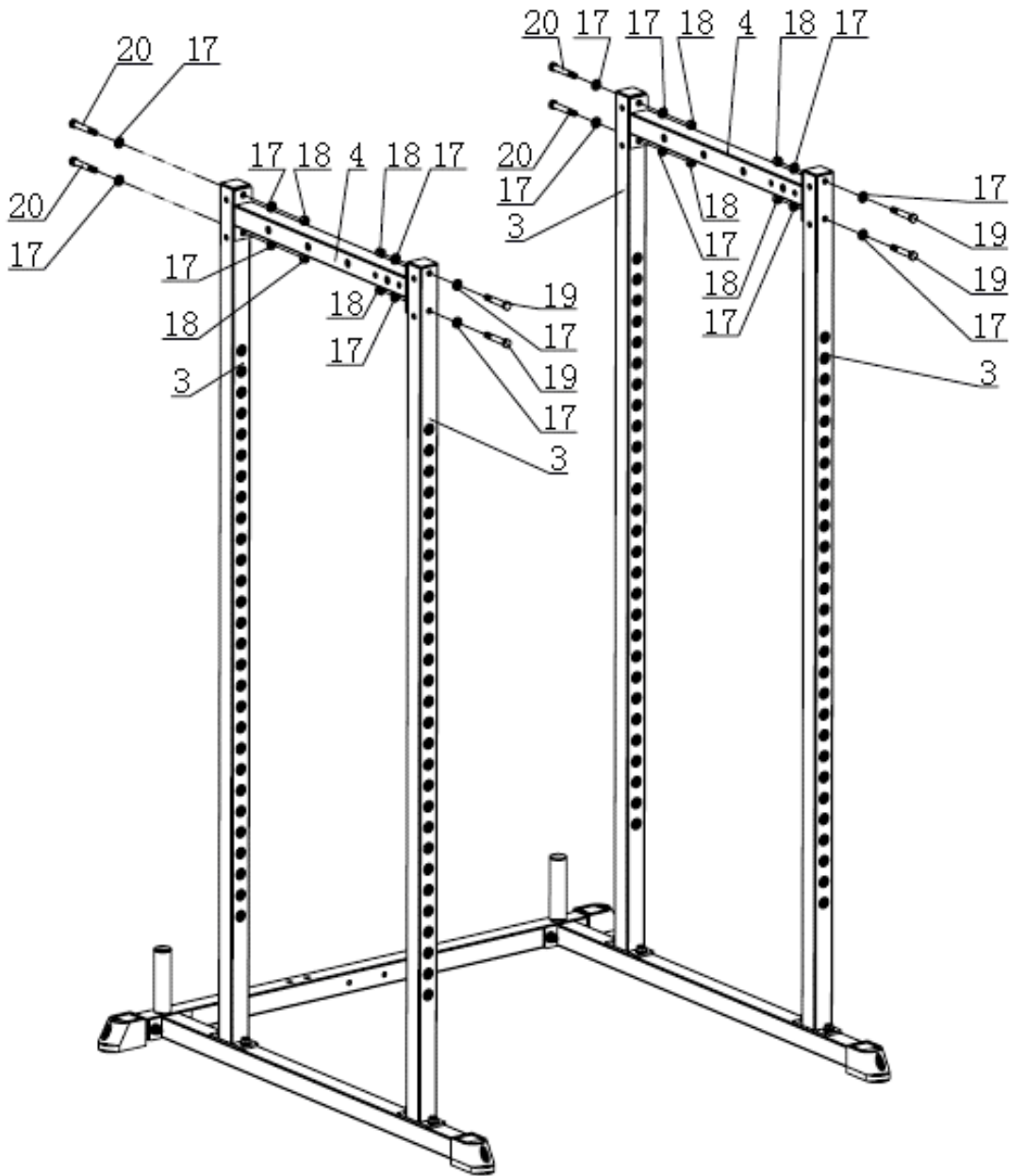
Connect the **BASE FRAME (1)** and **UPRIGHT FRAME (3)**, using **FLAT WASHER $\Phi 13.5 \times \Phi 24 \times 2.5$ (17)**, **M12 NUT (18)** and **CARRIAGE BOLT M12*70 (21)**.



ASSEMBLY INSTRUCTIONS

STEP 3

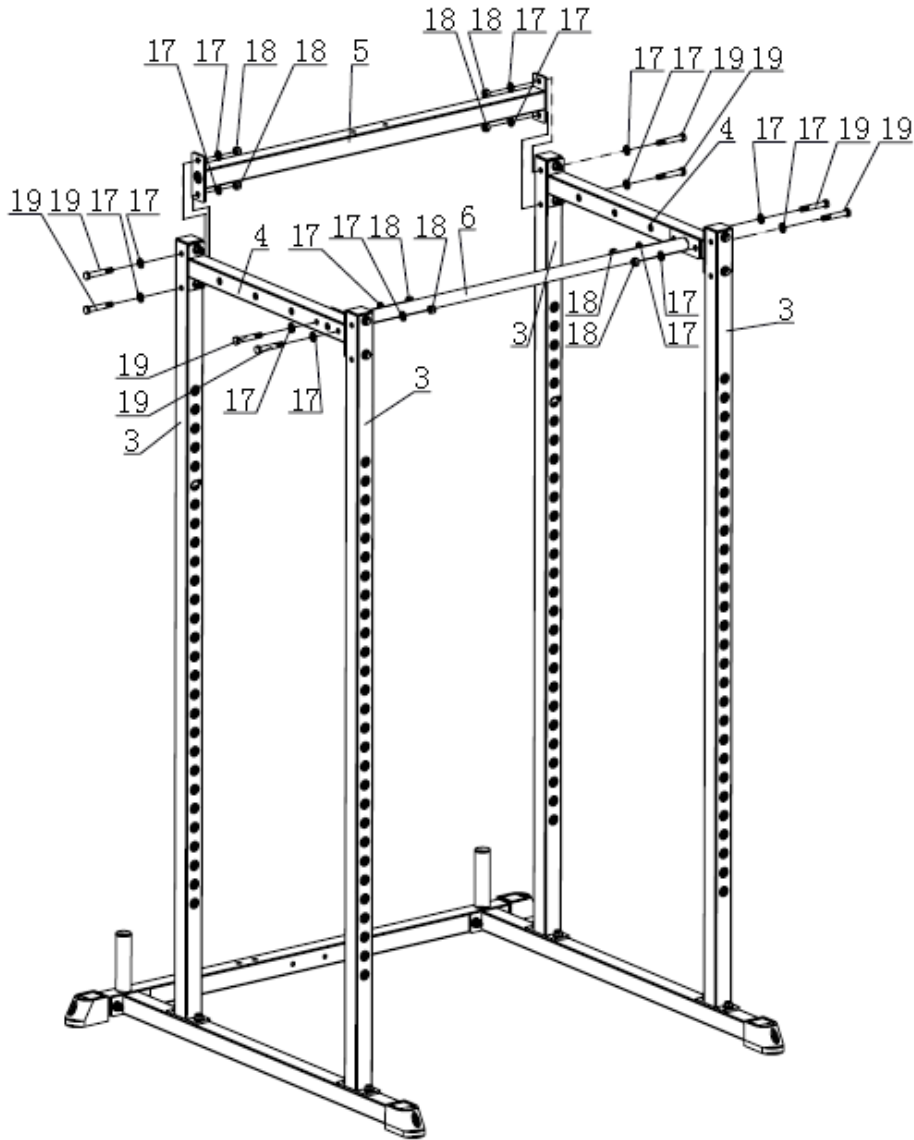
Connect the **UPPER CONNECTING FRAME (4)** and **UPRIGHT FRAME (3)**, using **FLAT WASHER $\Phi 13.5 \times \Phi 24 \times 2.5$ (17)**, **M12 NUT (18)**, **HEX BOLT M12*75 (19)** and **HEX BOLT M12*80 (20)**.



ASSEMBLY INSTRUCTIONS

STEP 4

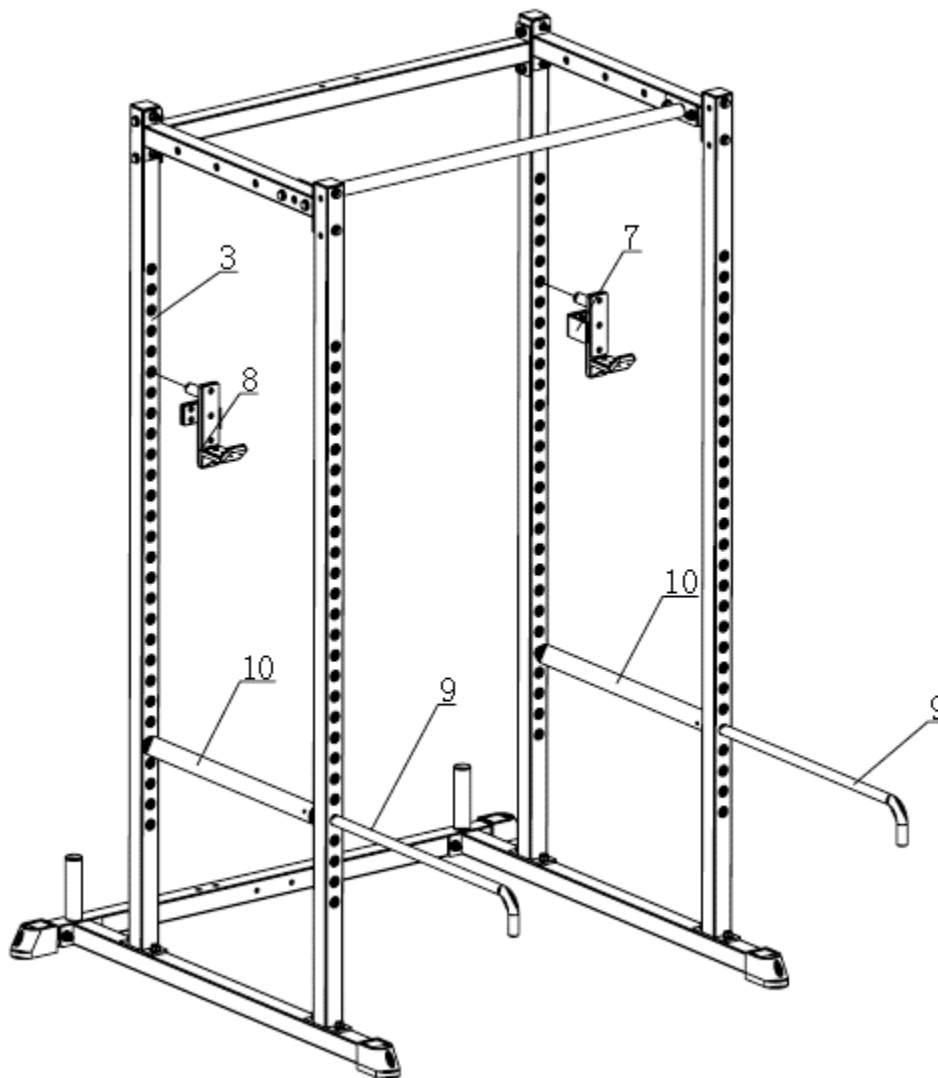
1. Connect the **CONNECTING FRAME (5)** and **UPRIGHT FRAME (3)**, using **FLAT WASHER $\Phi 13.5 \times \Phi 24 \times 2.5$ (17)**, **M12 NUT (18)**, and **HEX BOLT M12*75 (19)**.
2. Install the **PULL UP BAR (6)** on the **UPRIGHT FRAME (3)**, using **FLAT WASHER $\Phi 13.5 \times \Phi 24 \times 2.5$ (17)**, **M12 NUT (18)**, and **HEX BOLT M12*75 (19)**.



ASSEMBLY INSTRUCTIONS

STEP 5

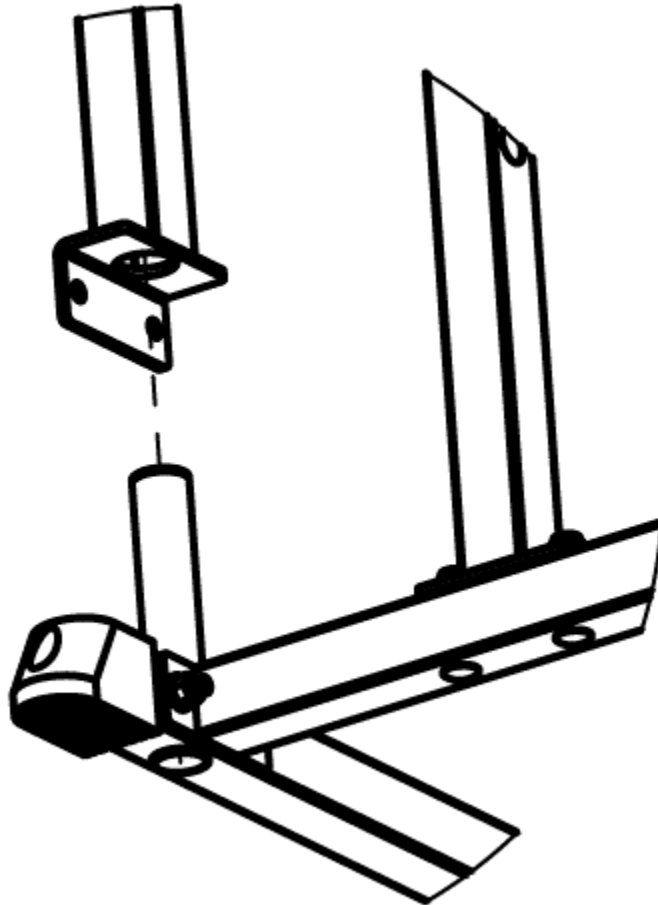
1. Insert the **SAFETY BAR (9)** into the hole on the **UPRIGHT FRAME (3)**.
2. Hang the **J-HOOK L & R (7 & 8)** on the **UPRIGHT FRAME (3)**.



ASSEMBLY INSTRUCTIONS

PAY ATTENTION:

The uprights of the extension uprights have a round opening on the bottom plate to slide the uprights over the weight holders for easy installation and reduce the amount of disassembly need to upgrade to the extension.



ACKNOWLEDGEMENT OF RISK AND RELEASE OF LIABILITY

The use of any equipment, including this one, involves the potential risk of injury. Apart from any warranty claim that might be presented for a claimed defect in material or workmanship of the product, you accept and assume full responsibility for any and all injuries, damages (both economic and non-economic), and losses of any type, which may occur, and you fully and forever release and discharge Titan, its insurers, employees, officers, directors, associates, and agents from any and all claims, demands, damages, rights of action, or causes of action, present or future, whether the same be known or unknown, anticipated, or unanticipated, resulting from or arising out of the use of said equipment.

This equipment must be used with care by capable and competent individuals under supervision,

WARNING



Heavy object. Use lifting aids and proper lifting techniques when moving.



Choking hazard. Small parts – Please exercise caution if small children or pets are present.



Sharp objects may be involved. Use precaution and protection.

TITAN LIMITED WARRANTY: TERMS, EXCLUSIONS AND LIMITATIONS OF REMEDIES

This product comes with a one (1) year limited warranty that can be found at www.titan.fitness/warranty.html Please review the same for all details regarding the Titan Limited Warranty.

THE TITAN LIMITED WARRANTY FOUND AT WWW.TITAN.FITNESS/WARRANTY IS EXCLUSIVE AND IS IN LIEU OF ALL OTHER WARRANTIES, EXPRESS OR IMPLIED, INCLUDING ANY IMPLIED WARRANTY OF MERCHANTABILITY AND/OR FITNESS FOR A PARTICULAR PURPOSE, EACH OF WHICH IS HEREBY DISCLAIMED.



NEED HELP? CONTACT US FIRST.

1-888-410-1503

info@titan.fitness

www.titan.fitness

© 2021 Titan Brands