



TITAN
FITNESS



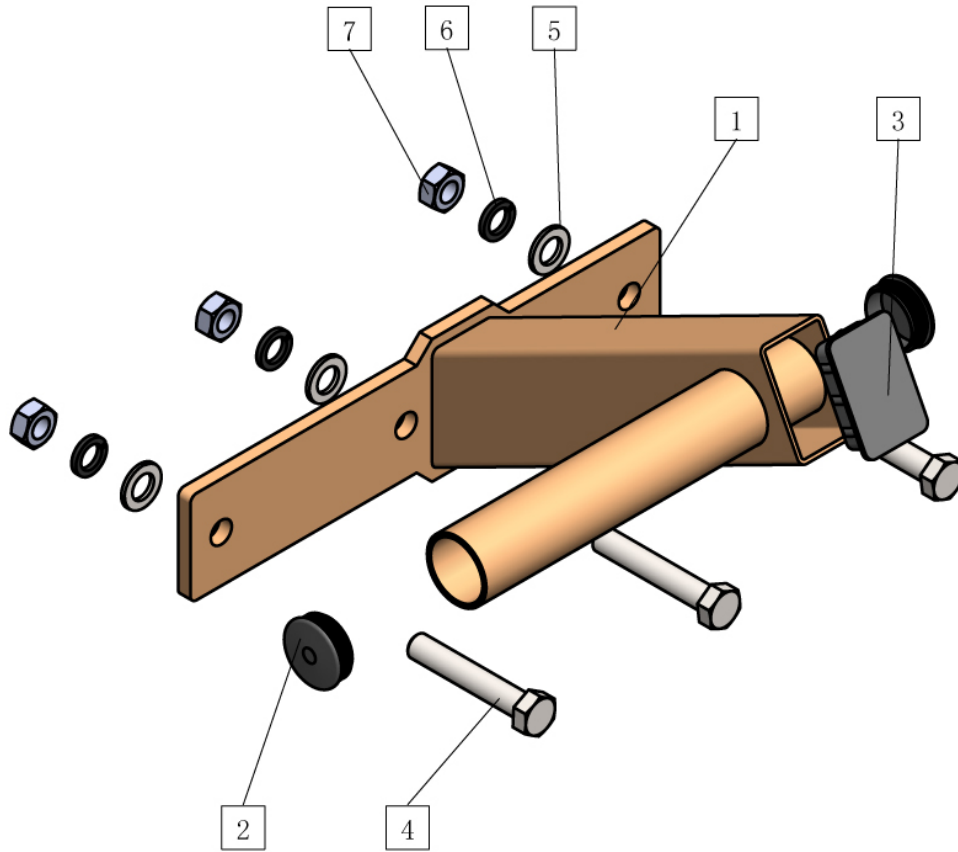
OWNER'S MANUAL

MPN(s): MSLEDWBA

SKU(s): 401131

UPC(s): 049008267329

PARTS DIAGRAM / EXPLODED VIEW



KEY	BOX	DESCRIPTION	QTY	KEY	BOX	DESCRIPTION	QTY
(1)	1	MSLEDWBA	1	(5)	1	FLAT WASHER M16	3
(2)	1	ROUND PLASTIC TUBE CAP	2	(6)	1	SPRING WASHER M16	3
(3)	1	SQUARE PLASTIC TUBE CAP	1	(7)	1	HEXA NUT M16	3
(4)	1	HEXA BOLT M16X90	3				

ASSEMBLY INSTRUCTIONS

- Product sold as full assembly with no installation required by customer.





*This concludes the MSLEDWBA Owner's Manual.
If applicable to your product, make sure to tighten
all nut-and-bolt combinations before use.*

Enjoy!

DISCLAIMER

This equipment must be used with care by capable and competent individuals under supervision, if necessary.

The use of any fitness equipment, including this one, involves the potential risk of injury. You accept and assume full responsibility for any and all injuries, damages (both economic and non-economic), and losses of any type, which may occur, and you fully and forever release and discharge Titan, its insurers, employees, officers, directors, associates, and agents from any and all claims, demands, damages, rights of action, or causes of action, present or future, whether the same be known or unknown, anticipated, or unanticipated, resulting from or arising out of the use of said equipment.

TITAN MAKES NO WARRANTY WHATSOEVER WITH RESPECT TO THE EQUIPMENT, INCLUDING ANY WARRANTY OF MERCHANTABILITY OR WARRANTY OF FITNESS FOR A PARTICULAR PURPOSE, WHETHER EXPRESS OR IMPLIED BY LAW, COURSE OF DEALING, COURSE OF PERFORMANCE, USAGE OF TRADE OR OTHERWISE. BUYER ASSUMES ALL LIABILITY IN USE OF THE EQUIPMENT.

NEED HELP?

CONTACT US FIRST.

1 (800) 605-8241

info@titandistributorsinc.com / www.titan.fitness

Business Hours: Monday–Friday • 8:00 a.m.–5:00 p.m. (CT)

