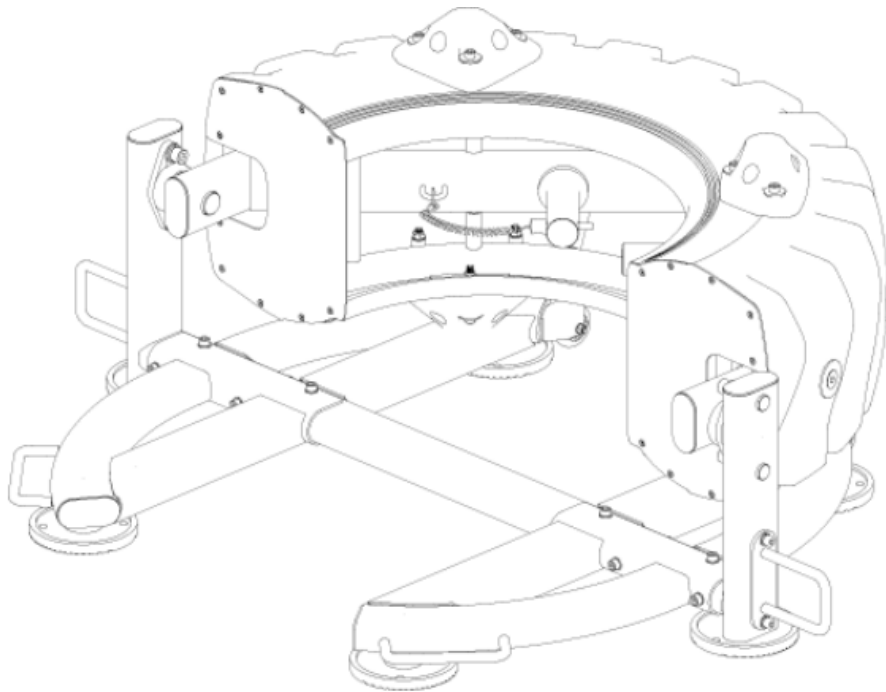




TITAN
FITNESS



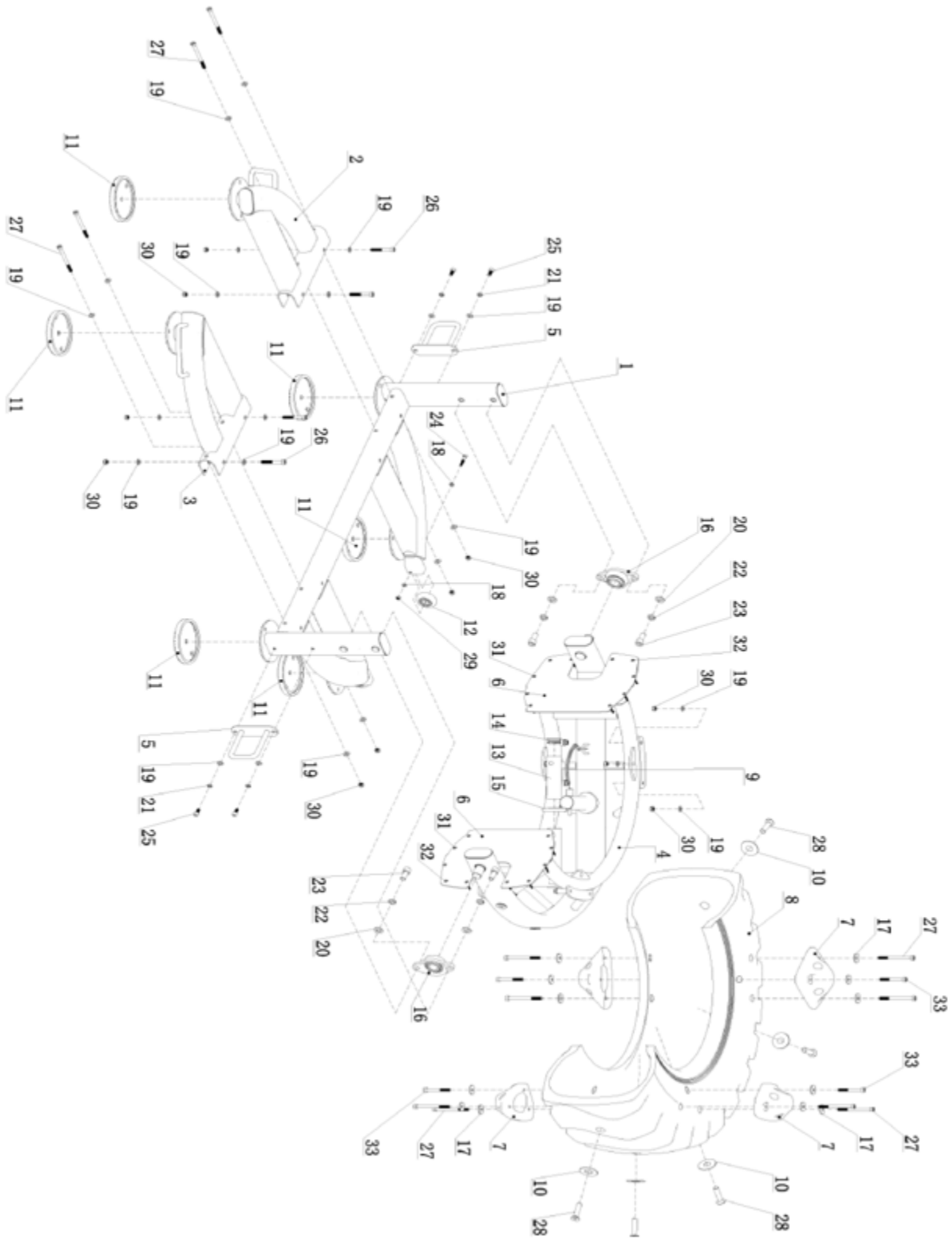
OWNER'S MANUAL

MPN(s): STTRM

SKU(s): 401136

UPC(s): 719318388440

PARTS DIAGRAM / EXPLODED VIEW



KEY	BOX	DESCRIPTION	QTY
(1)	1	Upright Frame	1
(2)	1	Left Base Frame	1
(3)	1	Right Base Frame	1
(4)	1	Turnover Frame	1
(5)	1	Battle Rope Fixing Plate	2
(6)	1	Cover Plate 390*306.7*3	2
(7)	1	Rubber Buffer 230*136*98	4
(8)	1	Tire 15.5-25 E3/I3 A	1
(9)	1	Short Pin Assembly	2
(10)	1	Big Washer $\Phi 60 * \Phi 22 * 3$	5
(11)	1	Foot Pad $\Phi 166 * 17$	6
(12)	1	Wheel $\Phi 70 * 23.4$	2
(13)	1	Sleeve $\Phi 50 * 0.9 * 156$	2
(14)	1	End Cap (2.5) $\Phi 48 * 2.5$	2
(15)	1	Rubber Buffer $\Phi 77 * \Phi 47.5 * 13$	2
(16)	1	Connecting Bearing $\Phi 30 * 117 * 40.2$	2
(17)	1	Big Washer $\Phi 11 * \Phi 34 * 3$	12
(18)	1	Flat Washer $\Phi 9 * \Phi 16 * 1.6$	4
(19)	1	Flat Washer $\Phi 11 * \Phi 20 * 2$	32
(20)	1	Flat Washer $\Phi 17 * \Phi 30 * 3$	4
(21)	1	Spring Washer $\Phi 10$	4
(22)	1	Spring Washer $\Phi 16$	4
(23)	1	Hex Bolt M16*35	4
(24)	1	Hex Bolt M8*45	2
(25)	1	Hex Bolt M10*20	4
(26)	1	Hex Bolt M10*75	4
(27)	1	Hex Bolt M10*120	12
(28)	1	Inner Hexagonal Countersunk Bolt M16*65	5
(29)	1	Nut M8	2



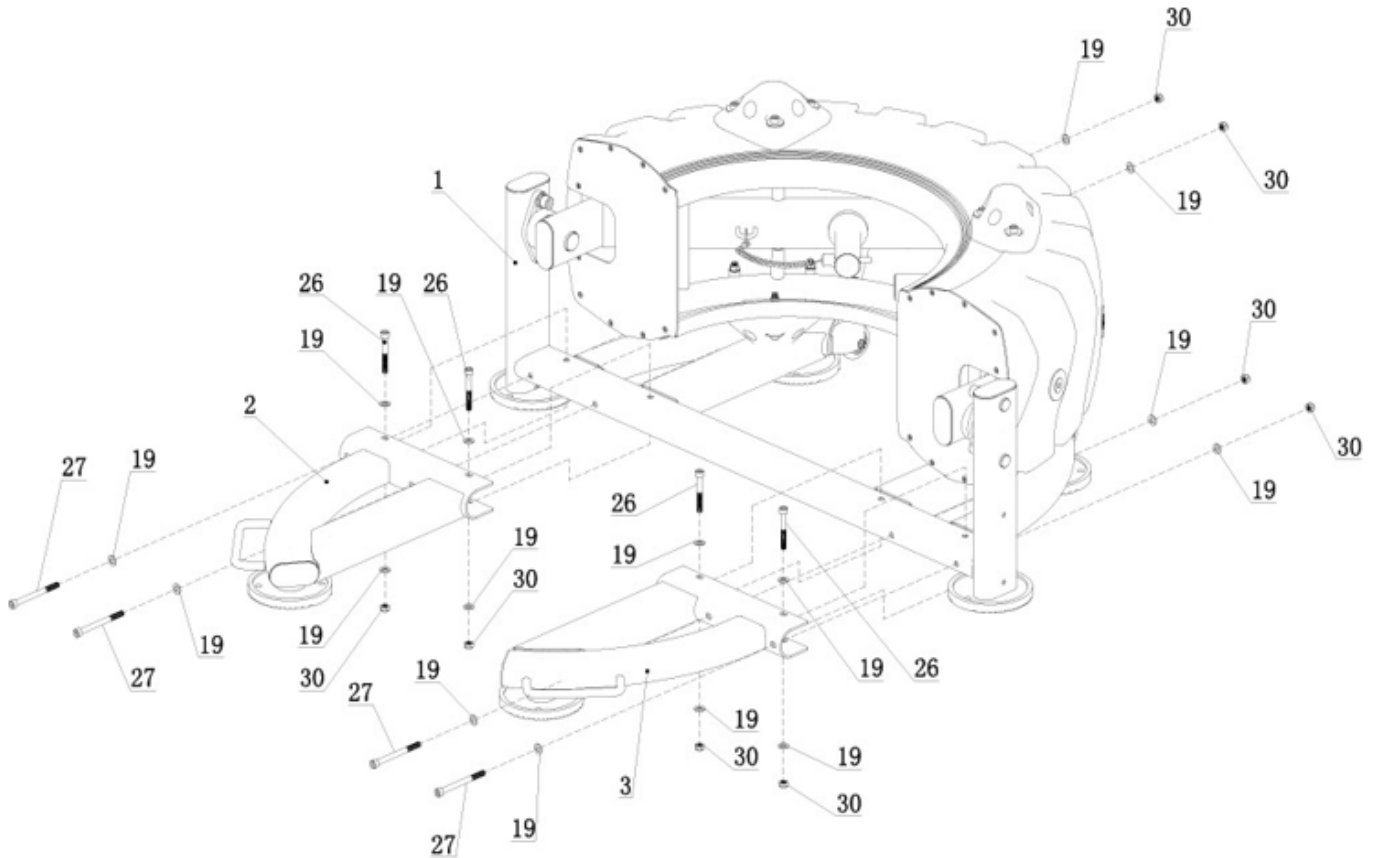
(30)	1	Nut M10	20
(31)	1	Cross Recessed Countersunk Head Tapping Screw ST4.8*40	18
(32)	1	Cross Recessed Countersunk Head Tapping Screw ST4.8*19	2
(33)	1	Hex Bolt M10*85	4



ASSEMBLY INSTRUCTIONS

Step 1

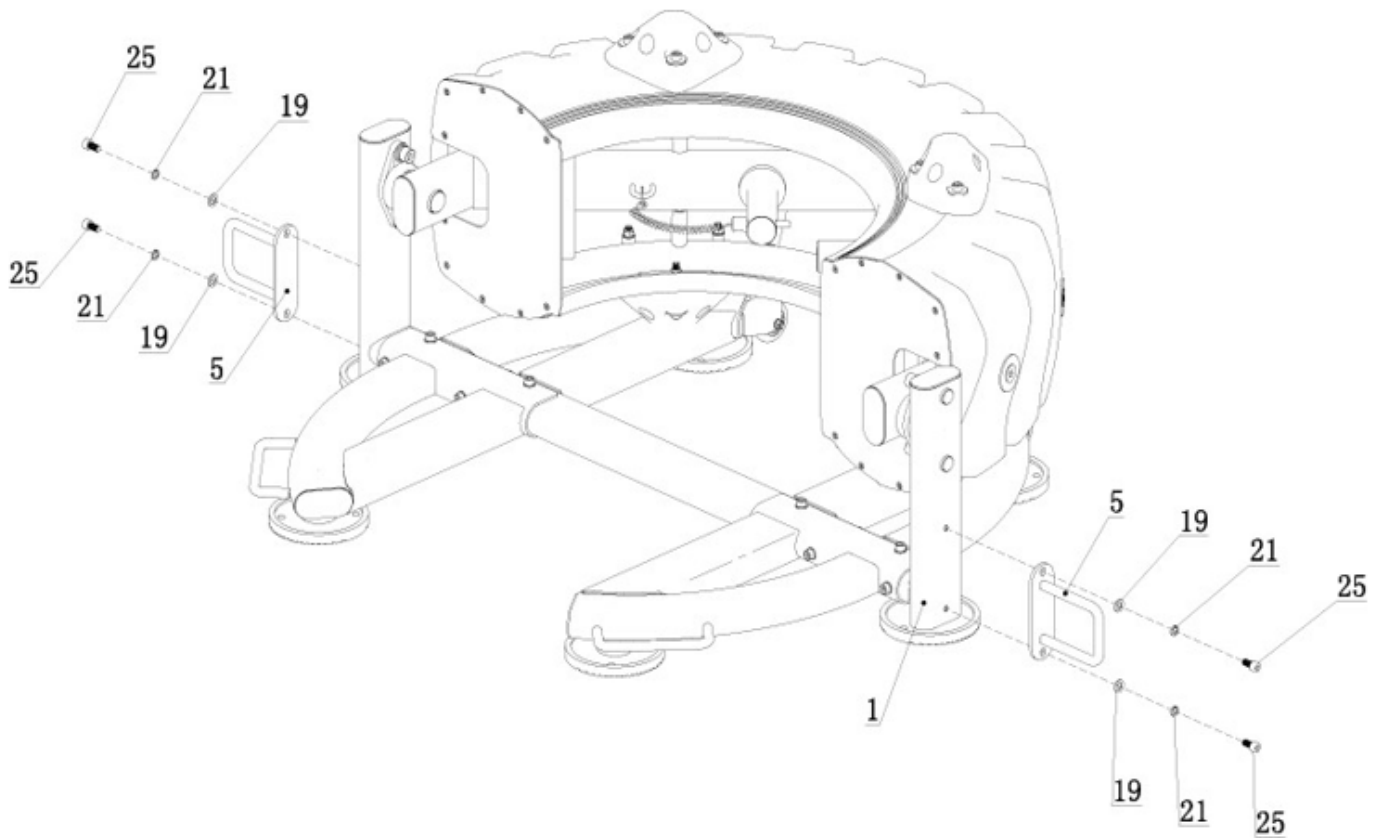
Assemble Upright Frame(1) , Left Base Frame (2) and Right Base Frame (3) using Flat Washer $\Phi 11*\Phi 20*2$ (19), Hex Bolt M10*75 (26), Hex Bolt M10*120 (27) and Nut M10 (30) .

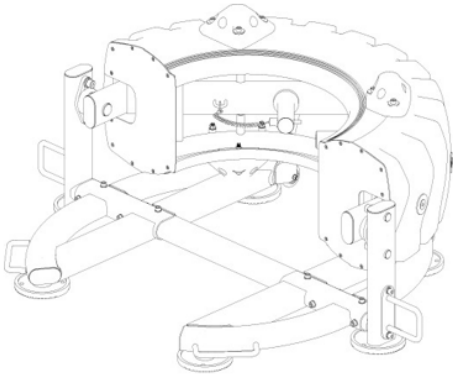


Step 2

Fix Battle Rope Fixing Plate (5) to the Upright Frame (1) using Flat Washer $\Phi 11 * \Phi 20 * 2$ (19), Spring Washer $\Phi 10$ (21) and Hex Bolt M10*20 (25).

Please tighten all the bolts and nuts.





This concludes the STTRM Owner's Manual.

If applicable to your product, make sure to tighten all nut-and-bolt combinations before use.

Enjoy!

DISCLAIMER

This equipment must be used with care by capable and competent individuals under supervision, if necessary.

The use of any fitness equipment, including this one, involves the potential risk of injury. You accept and assume full responsibility for any and all injuries, damages (both economic and non-economic), and losses of any type, which may occur, and you fully and forever release and discharge Titan, its insurers, employees, officers, directors, associates, and agents from any and all claims, demands, damages, rights of action, or causes of action, present or future, whether the same be known or unknown, anticipated, or unanticipated, resulting from or arising out of the use of said equipment.

TITAN MAKES NO WARRANTY WHATSOEVER WITH RESPECT TO THE EQUIPMENT, INCLUDING ANY WARRANTY OF MERCHANTABILITY OR WARRANTY OF FITNESS FOR A PARTICULAR PURPOSE, WHETHER EXPRESS OR IMPLIED BY LAW, COURSE OF DEALING, COURSE OF PERFORMANCE, USAGE OF TRADE OR OTHERWISE. BUYER ASSUMES ALL LIABILITY IN USE OF THE EQUIPMENT.

NEED HELP?

CONTACT US FIRST.

1 (800) 605-8241

info@titandistributorsinc.com / www.titan.fitness

Business Hours: Monday–Friday • 8:00 a.m.–5:00 p.m. (CT)

