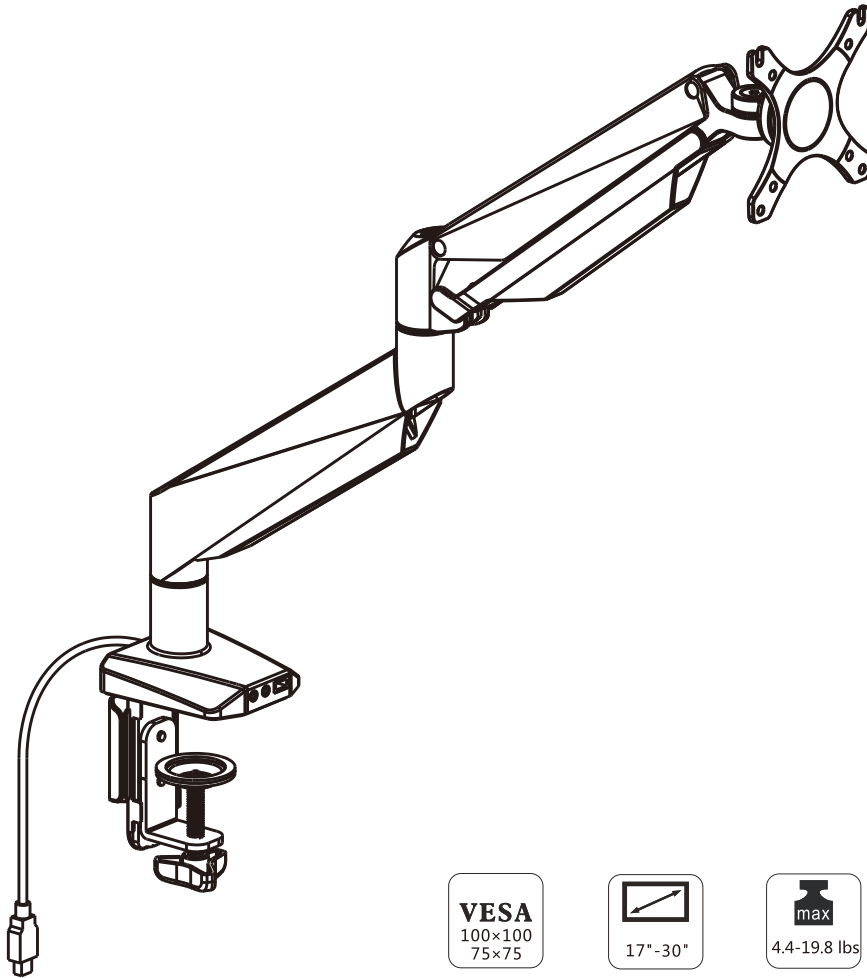




**TITAN**  
*FITNESS*



VESA  
100x100  
75x75

17°-30°

max  
4.4-19.8 lbs

-90°-15°

## OWNER'S MANUAL

---

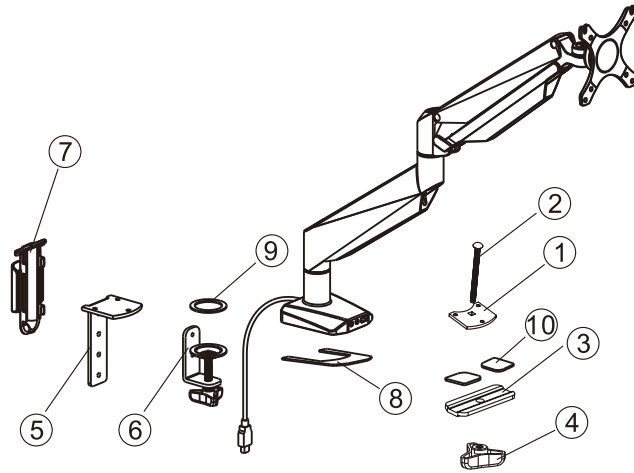
MPN(s): AGSMM

SKU(s): 401146

UPC(s): 840009211706








# PARTS DIAGRAM / EXPLODED VIEW

## (A) Parts Included



①	Bottom Support	1PC	1
②	Screw	1PC	
③	Washer	1PC	
④	Butterfly knob	1PC	2
⑤	Bottom support	1PC	
⑥	Knob	1PC	3
⑦	Cable cover	1PC	
⑧	Anti-slip rubber	1PC	
⑨	Anti-slip rubber	1PC	
⑩	Anti-slip rubber	2PCS	

## (B) Attachment Screw Set

A.	B.	C.	D.	F.	G.	H.
						
M4 x 12mm (4 PCS)	M5 x 12mm (4 PCS)	M6 x 12mm (3 PCS)	M6 x 10mm (2 PCS)	Φ 6.5x Φ 13x1.8 (8 PCS)	4 x 4 Allen key (1 PCS)	5 x 5 Allen key (1 PCS)

## (C) Tools Needed for Assembly



# ASSEMBLY INSTRUCTIONS

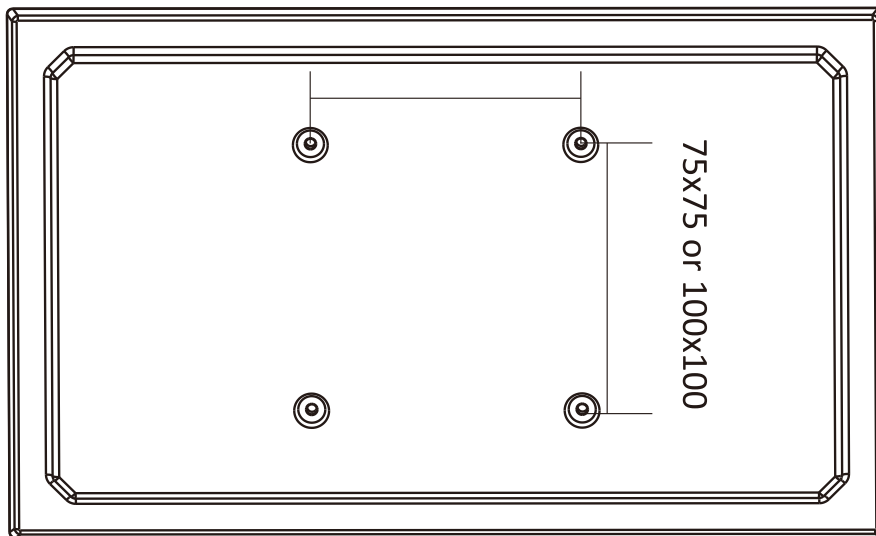
---

## STEP 1

### Preparations before installing monitor

1. Make sure there are VESA holes 100x100mm or 75x75mm in the monitor. If not, the mount couldn't be installed.
2. Remove the original fixed base of monitor. Be careful not to scratch the screen.

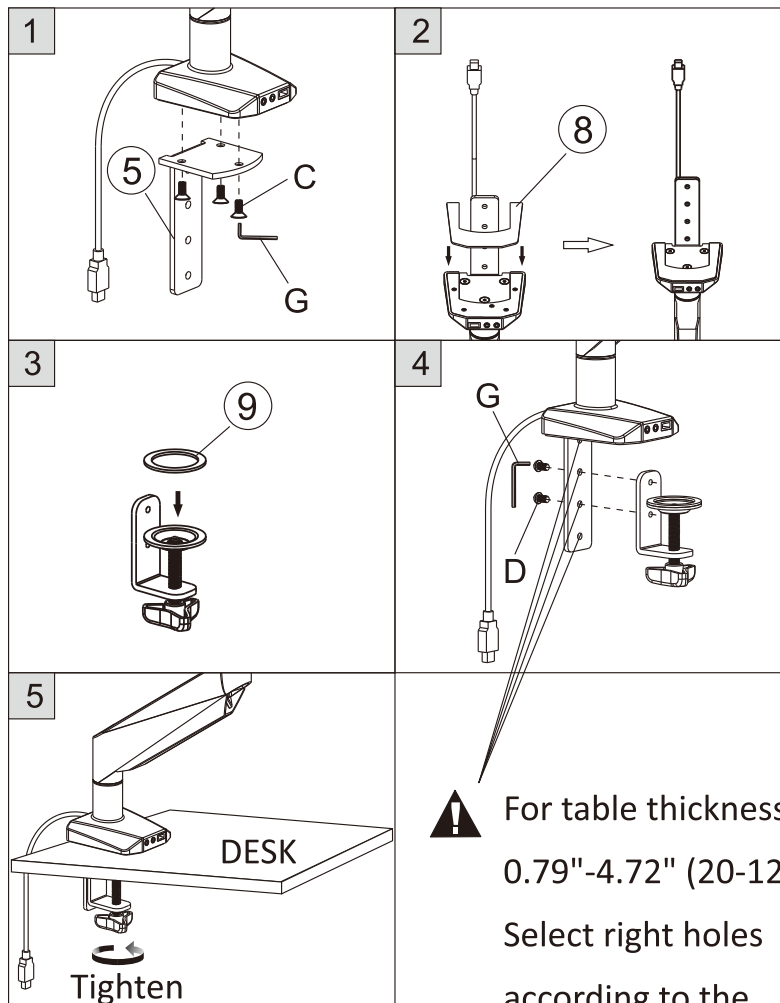
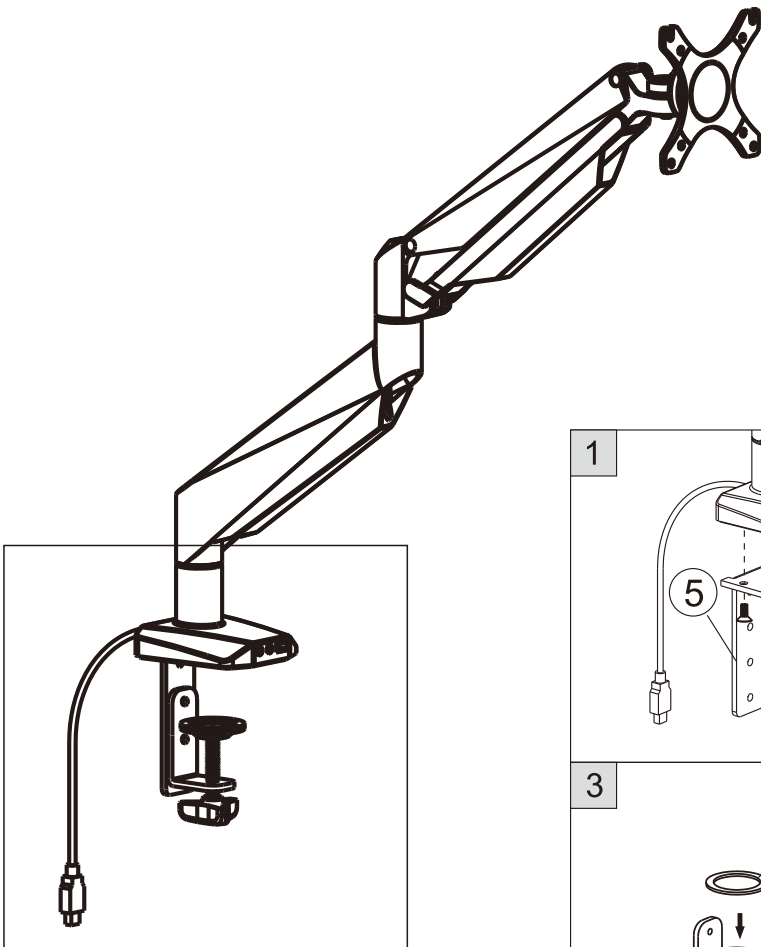
75x75 or 100x100



# ASSEMBLY INSTRUCTIONS

## STEP 2-A

Option 1: Install the bracket to the desk



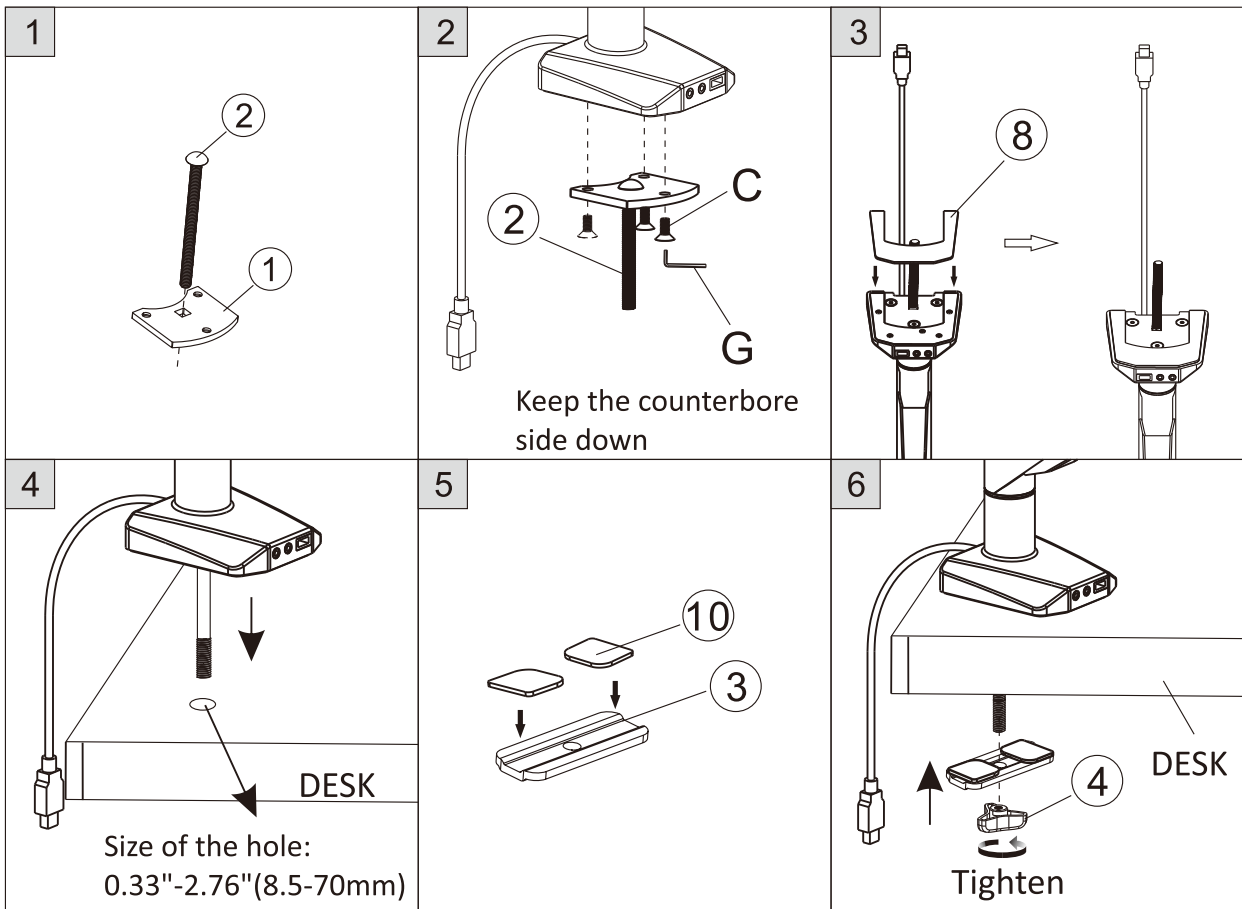
**!** For table thickness:  
0.79"-4.72" (20-120mm)  
Select right holes  
according to the  
thickness of desk.



# ASSEMBLY INSTRUCTIONS

## STEP 2-B

Option 2: install the bracket to the desk



**!** For table thickness: 0.98"-3.94"(25-100mm)



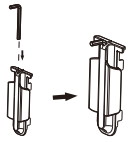
# ASSEMBLY INSTRUCTIONS

## STEP 3

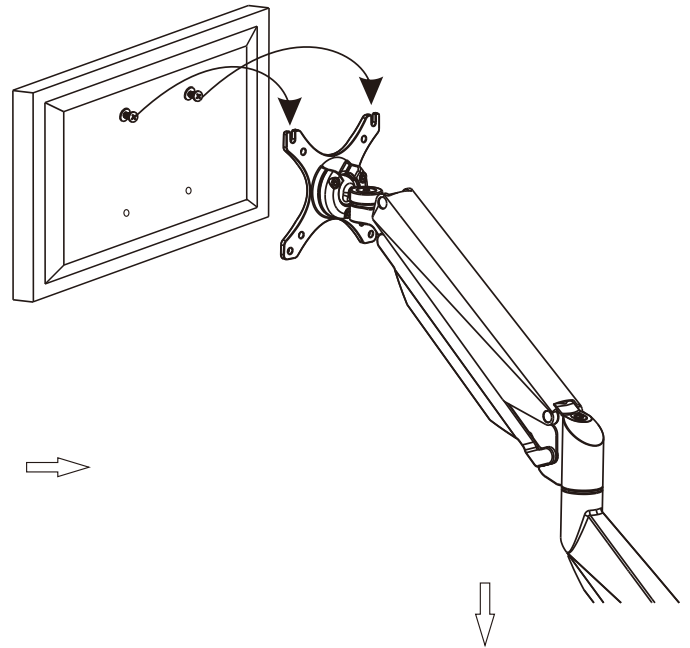
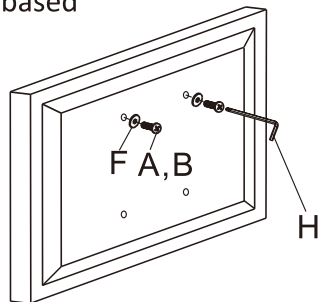
### Attaching the monitor to the plate

#### ! Attention

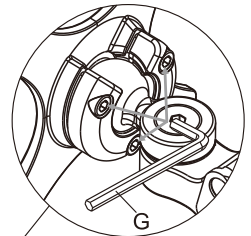
Please put the 5\*5 wrench into the cable cover after installation for future usage!



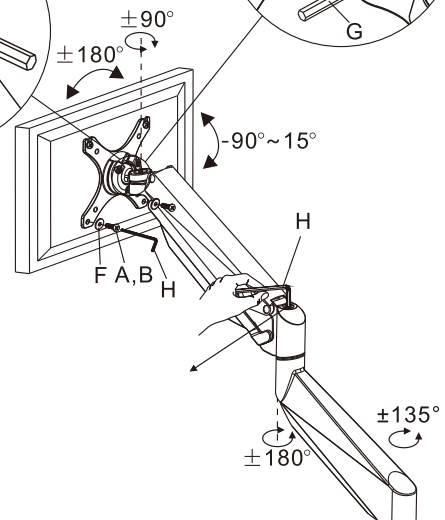
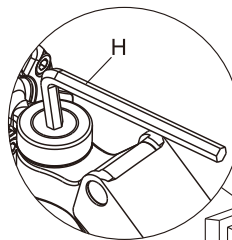
Increase washer (F) based on actual situation



To adjust the monitor with the supplied 4x4 allen key (G)



To adjust the monitor with the supplied 5x5 allen key (H)



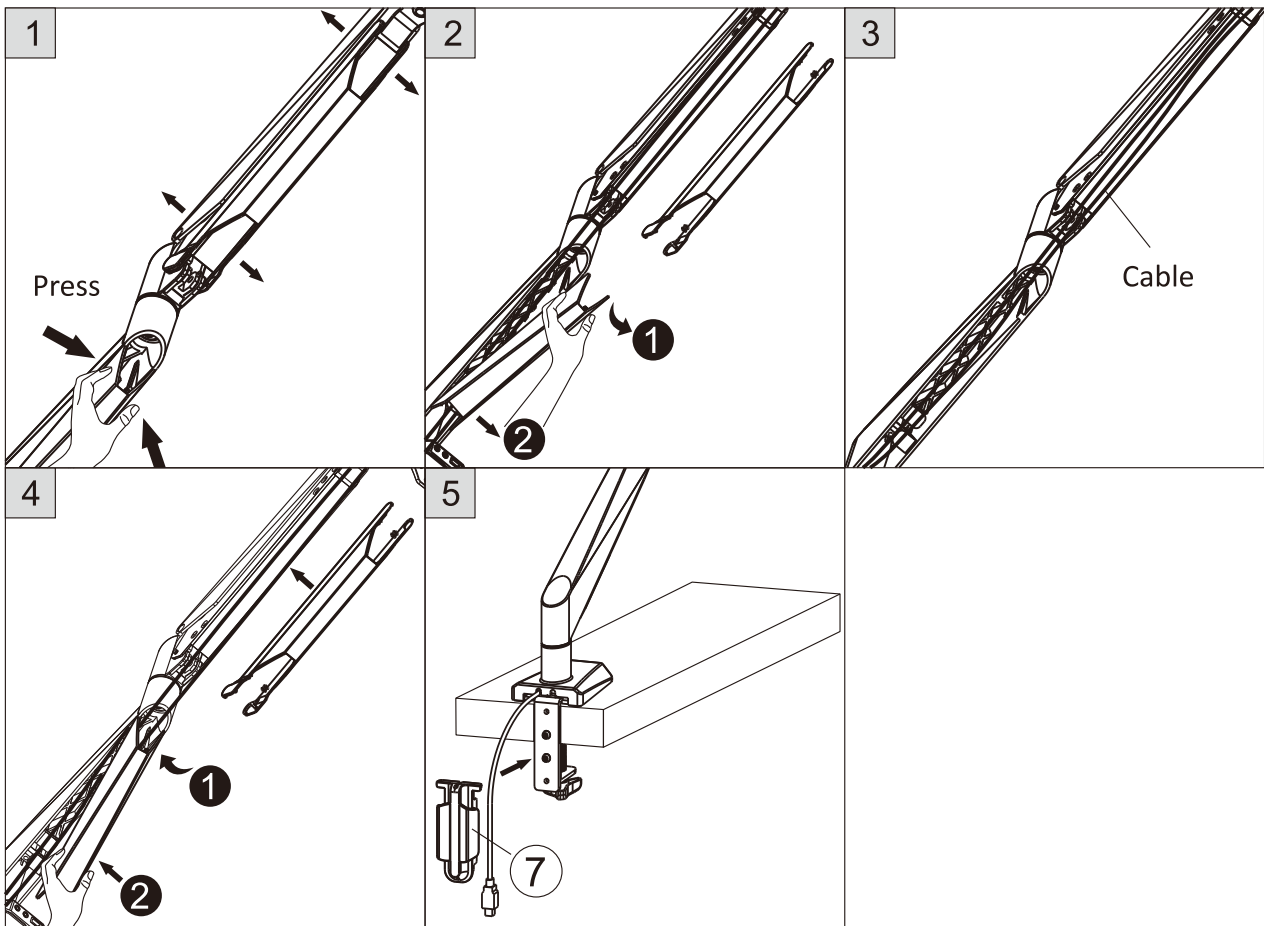
Adjust the monitor's height after installing. If the monitor cannot stop at any height, pls use the supplied 5x5 allen key to adjust the screw on the arm. To make the mount and monitor's weight equal and it can stop at any height, pls adjust the screw in "-" direction when the monitor up and "+" direction when it down.

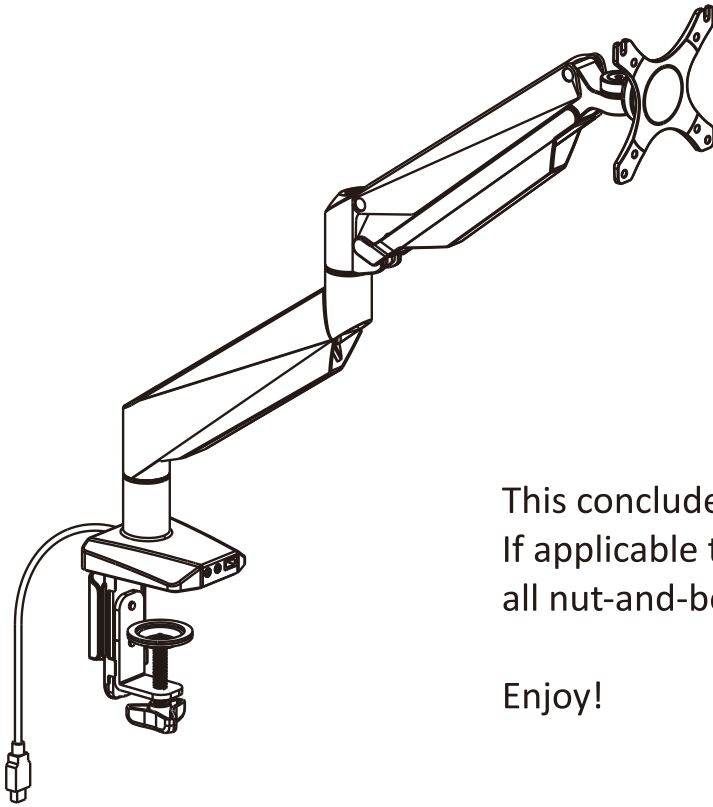


# ASSEMBLY INSTRUCTIONS

## STEP 4

Using cord management





This concludes the \_AGSMM\_ Owner's Manual.  
If applicable to your product, make sure to tighten  
all nut-and-bolt combinations before use.

Enjoy!



#### DISCLAIMER

This equipment must be used with care by capable and competent individuals under supervision, if necessary.

The use of any fitness equipment, including this one, involves the potential risk of injury. You accept and assume full responsibility for any and all injuries, damages (both economic and non-economic), and losses of any type, which may occur, and you fully and forever release and discharge Titan, its insurers, employees, officers, directors, associates, and agents from any and all claims, demands, damages, rights of action, or causes of action, present or future, whether the same be known or unknown, anticipated, or unanticipated, resulting from or arising out of the use of said equipment.

TITAN MAKES NO WARRANTY WHATSOEVER WITH RESPECT TO THE EQUIPMENT, INCLUDING ANY WARRANTY OF MERCHANTABILITY OR WARRANTY OF FITNESS FOR A PARTICULAR PURPOSE, WHETHER EXPRESS OR IMPLIED BY LAW, COURSE OF DEALING, COURSE OF PERFORMANCE, USAGE OF TRADE OR OTHERWISE. BUYER ASSUMES ALL LIABILITY IN USE OF THE EQUIPMENT.

NEED HELP?  
CONTACT US FIRST.

**1 (800) 605-8241**

[info@titandistributorsinc.com](mailto:info@titandistributorsinc.com) / [www.titan.fitness](http://www.titan.fitness)



**Business Hours: Monday–Friday • 8:00 a.m.–5:00 p.m. (CT)**