



TITAN
FITNESS



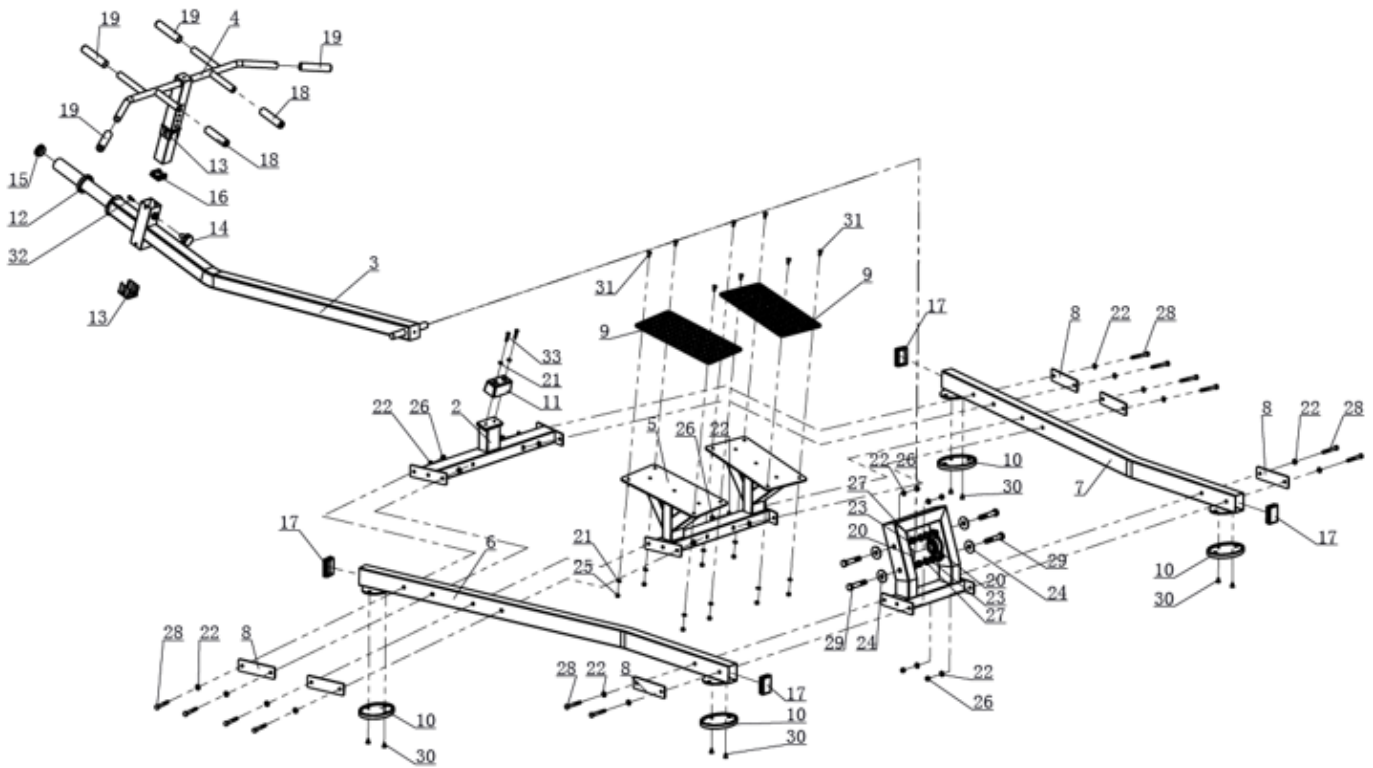
OWNER'S MANUAL

MPN(s): TRWM

SKU(s): 401152

UPC(s): 840009209062

PARTS DIAGRAM / EXPLODED VIEW



KEY	BOX	DESCRIPTION	QTY	KEY	BOX	DESCRIPTION	QTY
(1)	1	Rear Connect Frame	1	(18)	1	Handlebar Grip $\Phi 29.5 * \Phi 24.5 * 115$	2
(2)	1	Support Frame	1	(19)	1	Handlebar Grip $\Phi 29.5 * 130$	4
(3)	1	Movable Frame	1	(20)	1	Bearing UCFLU205	2
(4)	1	Handle Bar	1	(21)	1	Flat Washer $\Phi 9 * \Phi 16 * 1.6$	10
(5)	1	Pedal Connect Bracket	1	(22)	1	Flat Washer $\Phi 11 * \Phi 20 * 2$	24
(6)	1	Left Frame	1	(23)	1	Flat Washer $\Phi 17 * \Phi 30 * 3$	4
(7)	1	Right Frame	1	(24)	1	Big Washer $\Phi 17 * \Phi 50 * 3$	4
(8)	1	Fixing Plate	6	(25)	1	Nut M8	8
(9)	1	Pedal	2	(26)	1	Nut M10	12
(10)	1	PVC Foot	4	(27)	1	Nut M16	4
(11)	1	Stopper Rubber Cover	1	(28)	1	Hex Bolt M10*75	12
(12)	1	Rubber Baffle	1	(29)	1	Hex Bolt M16*85	4
(13)	1	Hollow Sleeve	2	(30)	1	Countersunk Head Screw M8*15	8
(14)	1	Knob	1	(31)	1	Countersunk Head Screw M8*20	8
(15)	1	End Cap $\Phi 48 * 2$	1	(32)	1	Pan Head, Hex Bolt M8*25	1
(16)	1	End Cap $\square 50 * 2.5$	1	(33)	1	Pan Head, Hex Bolt M8*35	2
(17)	1	End Cap $50 * 75 * 2$	4				

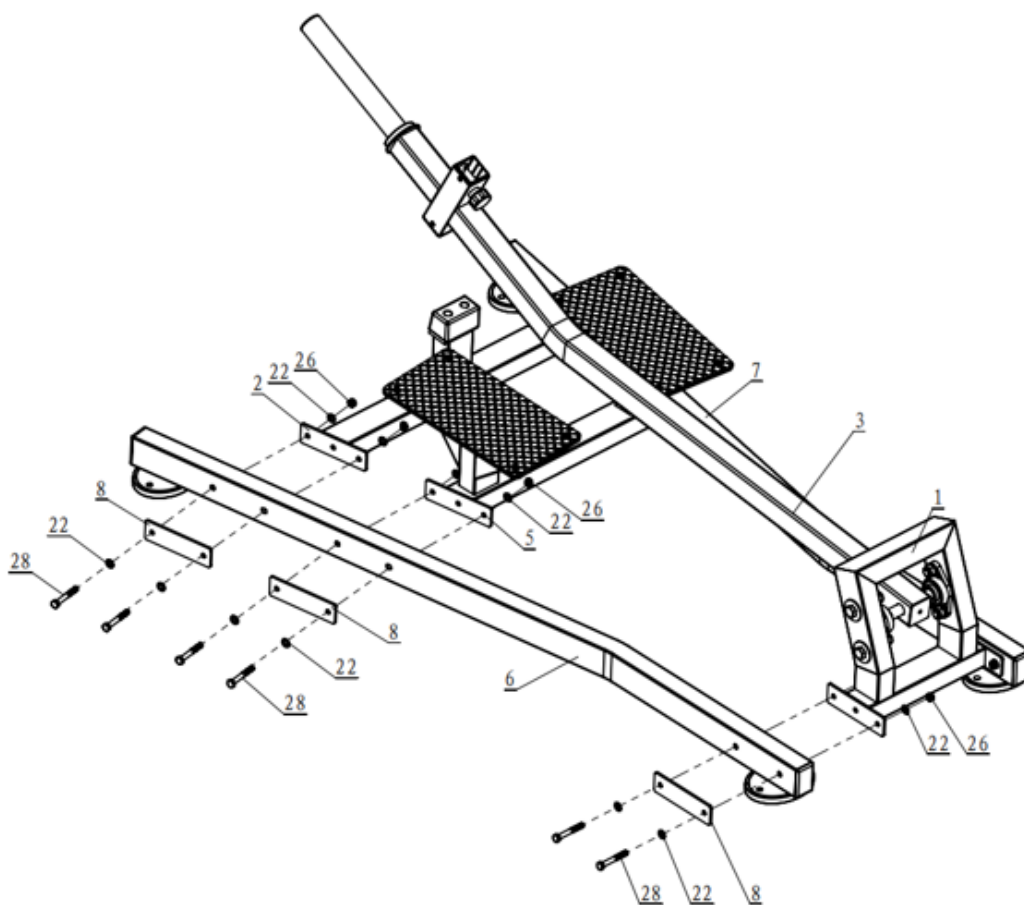


ASSEMBLY INSTRUCTIONS

Step 1

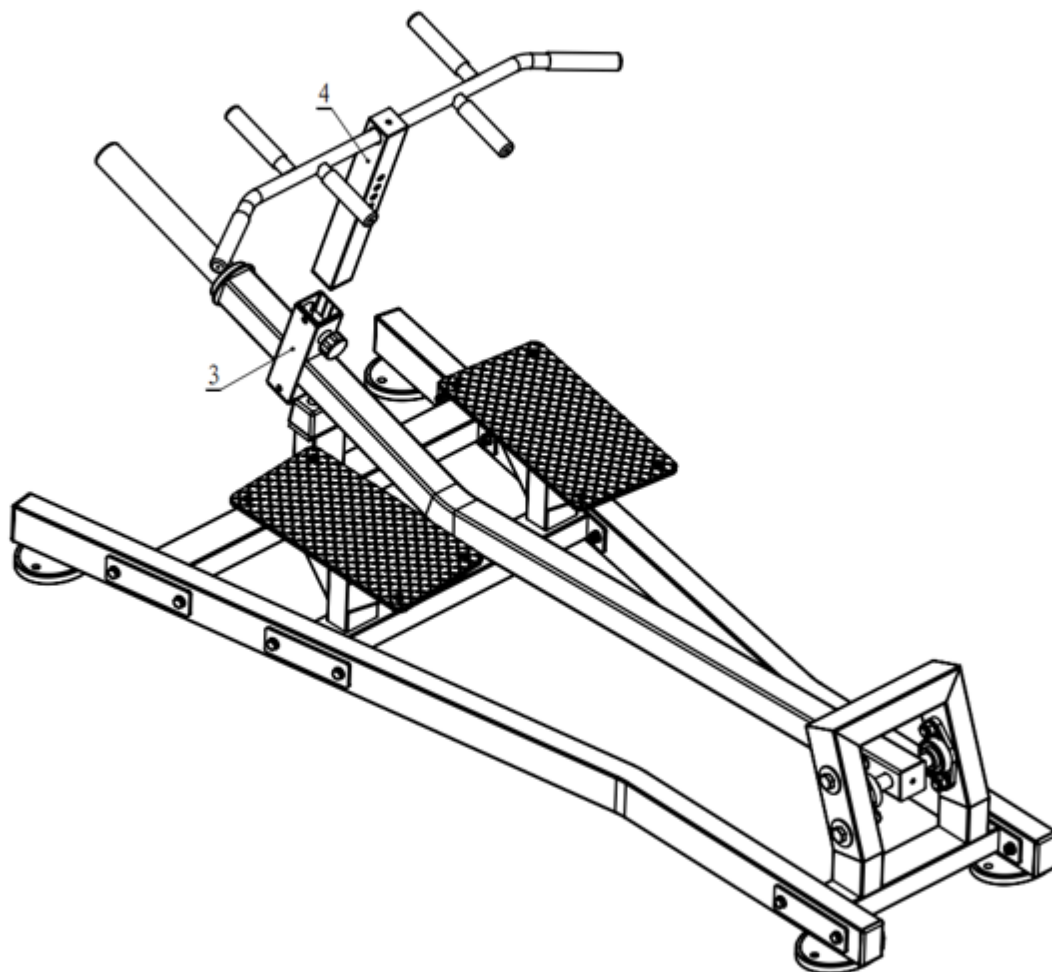
Fix Pedal connect bracket (5), Support Frame (2), Left frame (6), Right frame (7) and Movable frame (3) together, using Fixing plate (8), M10 Washer (22) and M10 Nut (26), M10x75 Hex bolt (28).

Tighten all bolts and nuts.



Step 2

Fix Handle Bar (4) on Movable frame (3).





*This concludes the TRWM Owner's Manual.
If applicable to your product, make sure to tighten all
nut-and-bolt combinations before use.*

Enjoy!

DISCLAIMER

This equipment must be used with care by capable and competent individuals under supervision, if necessary.

The use of any fitness equipment, including this one, involves the potential risk of injury. You accept and assume full responsibility for any and all injuries, damages (both economic and non-economic), and losses of any type, which may occur, and you fully and forever release and discharge Titan, its insurers, employees, officers, directors, associates, and agents from any and all claims, demands, damages, rights of action, or causes of action, present or future, whether the same be known or unknown, anticipated, or unanticipated, resulting from or arising out of the use of said equipment.

TITAN MAKES NO WARRANTY WHATSOEVER WITH RESPECT TO THE EQUIPMENT, INCLUDING ANY WARRANTY OF MERCHANTABILITY OR WARRANTY OF FITNESS FOR A PARTICULAR PURPOSE, WHETHER EXPRESS OR IMPLIED BY LAW, COURSE OF DEALING, COURSE OF PERFORMANCE, USAGE OF TRADE OR OTHERWISE. BUYER ASSUMES ALL LIABILITY IN USE OF THE EQUIPMENT.

NEED HELP?

CONTACT US FIRST.

1 (800) 605-8241

info@titandistributorsinc.com / www.titan.fitness

Business Hours: Monday–Friday • 8:00 a.m.–5:00 p.m. (CT)

