



TITAN
FITNESS



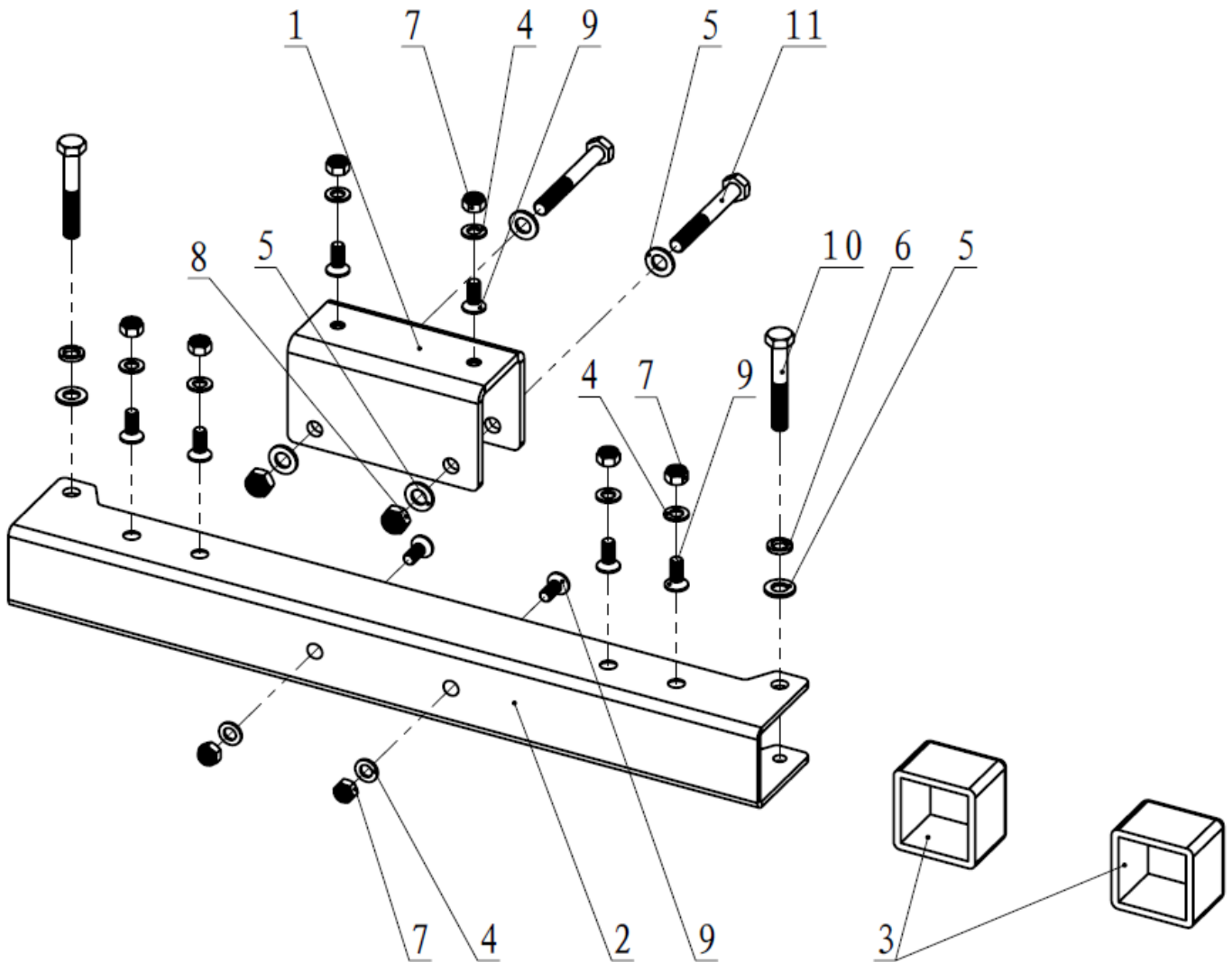
OWNER'S MANUAL

MPN(s): T2LATTWR_RETRO

SKU(s): 401208

UPC(s): 840009213076

PARTS DIAGRAM / EXPLODED VIEW



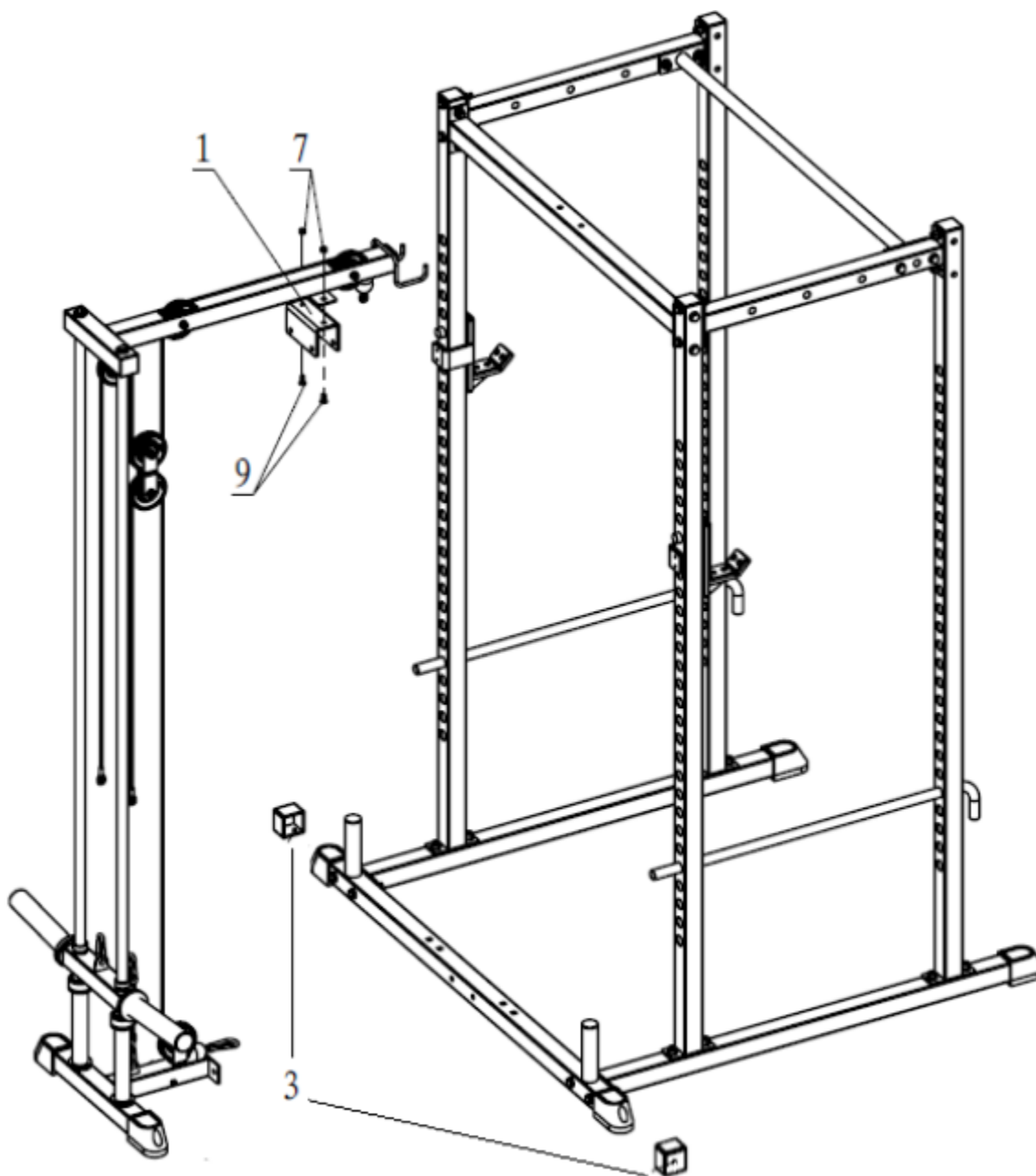
KEY	BOX	DESCRIPTION	QTY	KEY	BOX	DESCRIPTION	QTY
(1)	1	SMALL U-SHAPE BRACKET	1	(7)	1	NUT M8	8
(2)	1	LARGE U-SHAPE-BRACKET	1	(8)	1	NUT M10	2
(3)	1	END CAP FEET 50*2	2	(9)	1	COUNTERSUNK HEAD SCREW M8*20	8
(4)	1	FLAT WASHER $\Phi 9*\Phi 16*1.6$	8	(10)	1	HEX BOLT M10*65	2
(5)	1	FLAT WASHER $\Phi 11*\Phi 20*2$	6	(11)	1	HEX BOLT M10*80	2
(6)	2	SPRING WASHER $\Phi 10$	2				



ASSEMBLY INSTRUCTIONS

STEP 1

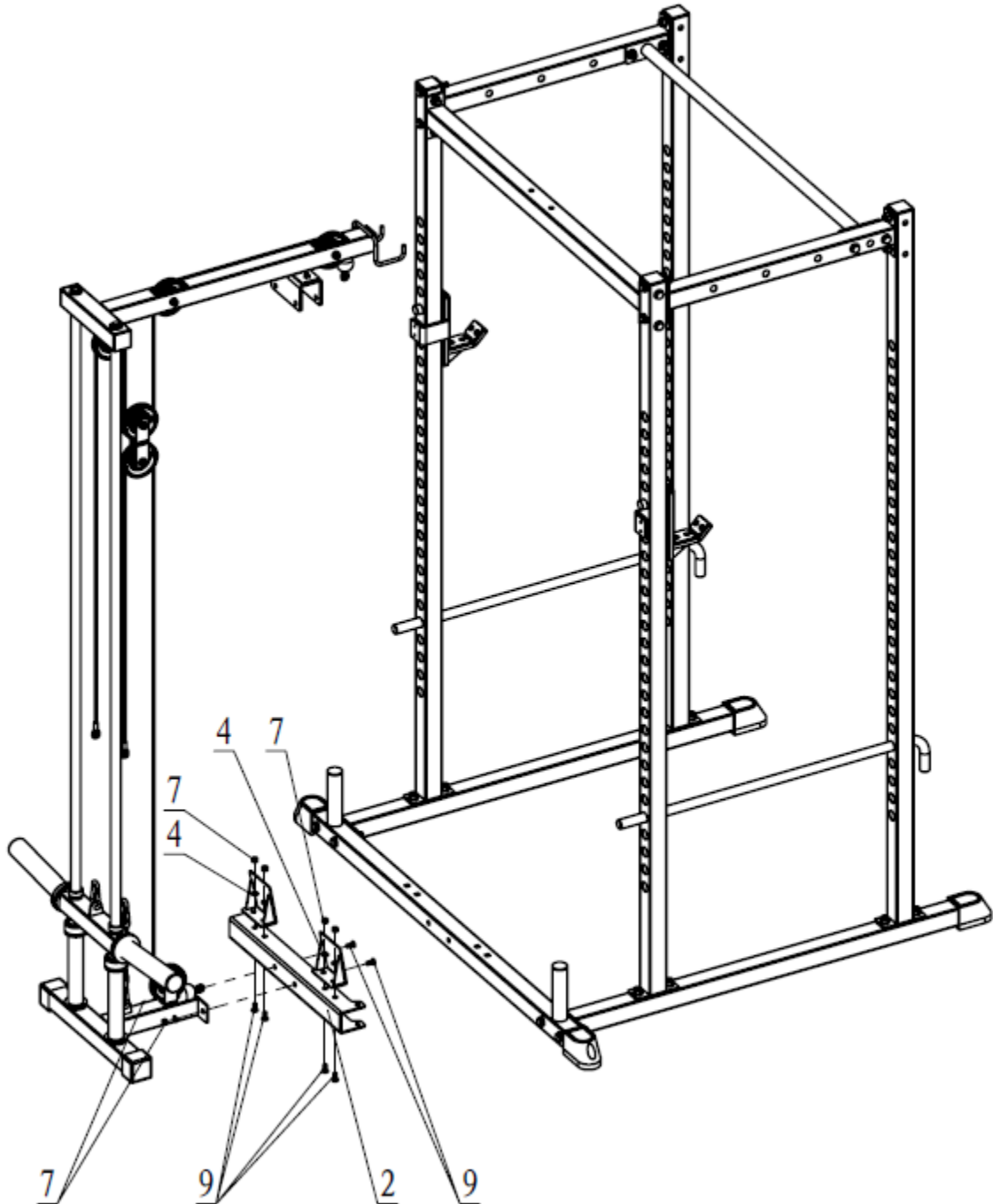
Install the Small U-Shape-Bracket (1) on top of Lat Tower frame, using M8 Nut (7) and Countersunk Head Screw M8*20(9). Remove back feet of T2 Power Rack and replace with End Cap Feet (3).



ASSEMBLY INSTRUCTIONS

STEP 2

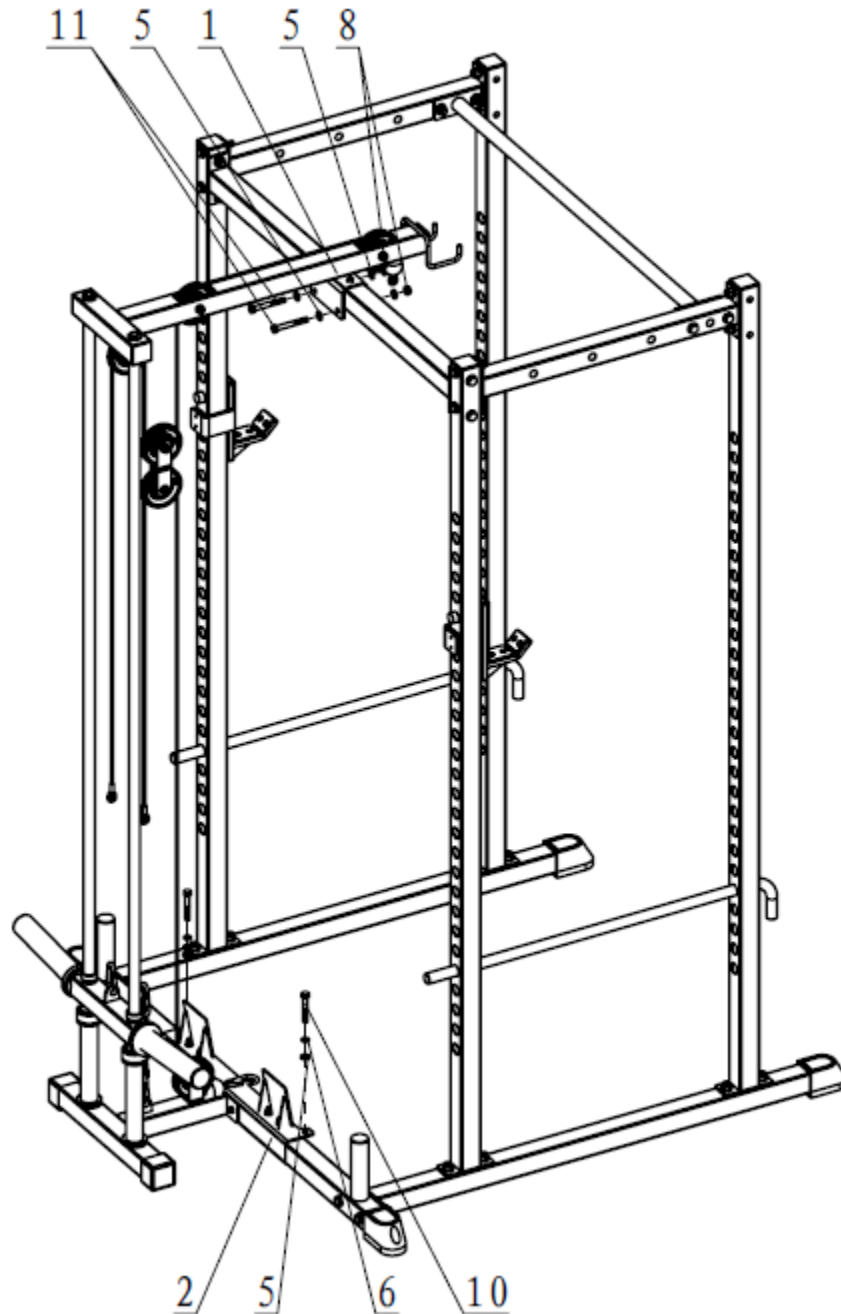
1. Install the Pedal Frame on the Large U-Shape Bracket (2), using Flat Washer $\Phi 9 * \Phi 16 * 1.6$ (4), M8 Nut (7) and Countersunk Head Screw M8*20(9).
2. Connect the Lower Fixing Frame and Large U-Shape Bracket (2), using M8 Nut (7) and Countersunk Head Screw M8*20(9).



ASSEMBLY INSTRUCTIONS

STEP 3

1. Fixing the Small U-Shape Bracket (1) on the Power Rack, using Flat Washer $\Phi 11*\Phi 20*2$ (5), M10 Nut (8) and Hex Bolt M10*80(11).
2. Fixing the Large U-Shape-Bracket (2) on the Power Rack, using Flat Washer $\Phi 11*\Phi 20*2$ (5), Spring Washer $\Phi 10$ (6) and Hex Bolt M10*65(10).



This concludes the T2LATTWR RETRO

Owner's Manual.

*If applicable to your product, make sure to tighten
all nut-and-bolt combinations before use.*

Enjoy!



DISCLAIMER

This equipment must be used with care by capable and competent individuals under supervision, if necessary.

The use of any fitness equipment, including this one, involves the potential risk of injury. You accept and assume full responsibility for any and all injuries, damages (both economic and non-economic), and losses of any type, which may occur, and you fully and forever release and discharge Titan, its insurers, employees, officers, directors, associates, and agents from any and all claims, demands, damages, rights of action, or causes of action, present or future, whether the same be known or unknown, anticipated, or unanticipated, resulting from or arising out of the use of said equipment.

TITAN MAKES NO WARRANTY WHATSOEVER WITH RESPECT TO THE EQUIPMENT, INCLUDING ANY WARRANTY OF MERCHANTABILITY OR WARRANTY OF FITNESS FOR A PARTICULAR PURPOSE, WHETHER EXPRESS OR IMPLIED BY LAW, COURSE OF DEALING, COURSE OF PERFORMANCE, USAGE OF TRADE OR OTHERWISE. BUYER ASSUMES ALL LIABILITY IN USE OF THE EQUIPMENT.

NEED HELP?

CONTACT US FIRST.

1 (800) 605-8241

info@titandistributorsinc.com / www.titan.fitness

Business Hours: Monday–Friday • 8:00 a.m.–5:00 p.m. (CT)

