



TITAN
FITNESS



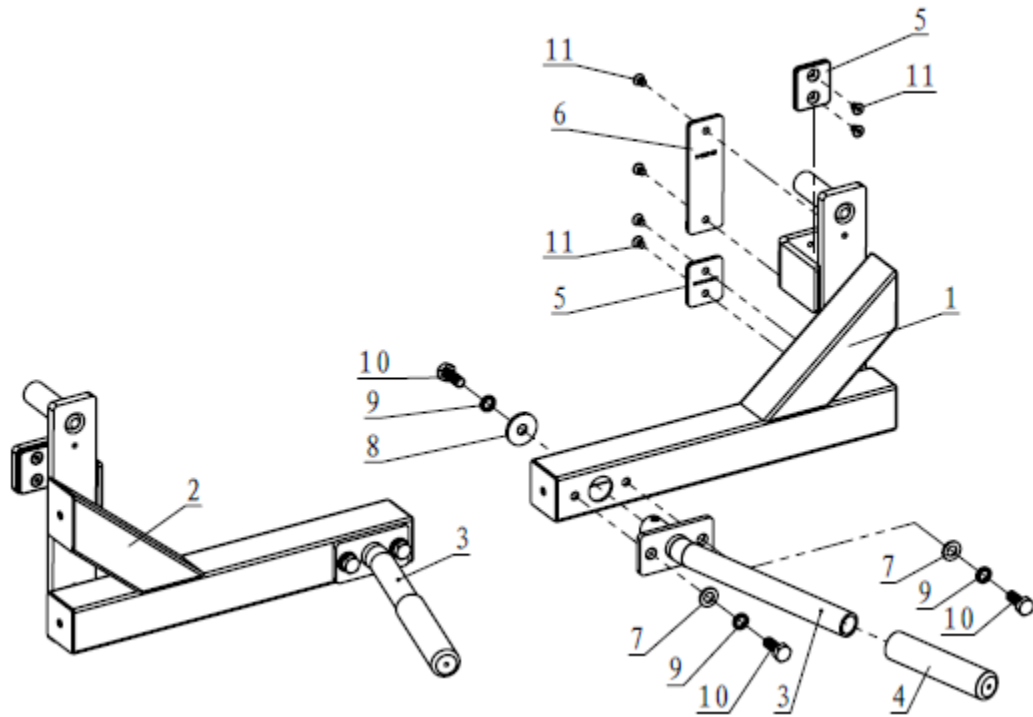
OWNER'S MANUAL

MPN(s): JHOOKDIP_T2

SKU(s): 401258

UPC(s): 840009215025

PARTS DIAGRAM / EXPLODED VIEW



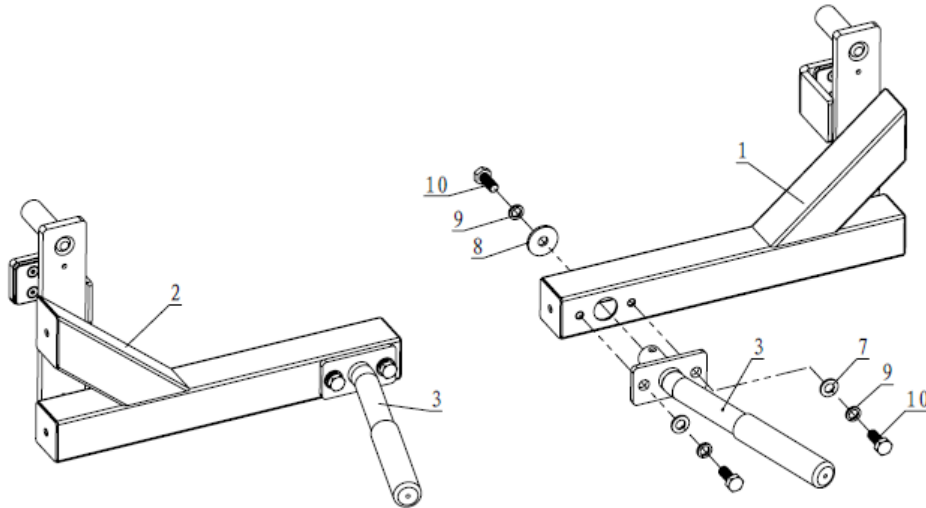
KEY	BOX	DESCRIPTION	QTY	KEY	BOX	DESCRIPTION	QTY
(1)	1	LEFT DIP BAR	1	(7)	1	FLAT WASHER $\Phi 11 * \Phi 20 * 2$	4
(2)	1	RIGHT DIP BAR	1	(8)	1	FLAT WASHER $\Phi 11 * \Phi 34 * 3$	2
(3)	1	HANDLEBAR	2	(9)	1	SPRING WASHER $\Phi 10$	6
(4)	1	HANDLEBAR GRIP	2	(10)	1	HEX BOLT M10*25	6
(5)	1	FRONT PLASTIC PLATE 48*40*5	4	(11)	1	COUNTERSUNK HEAD SCREW M6*10	12
(6)	1	BIG PLASTIC PLATE 125*40*5	2				



ASSEMBLY INSTRUCTIONS

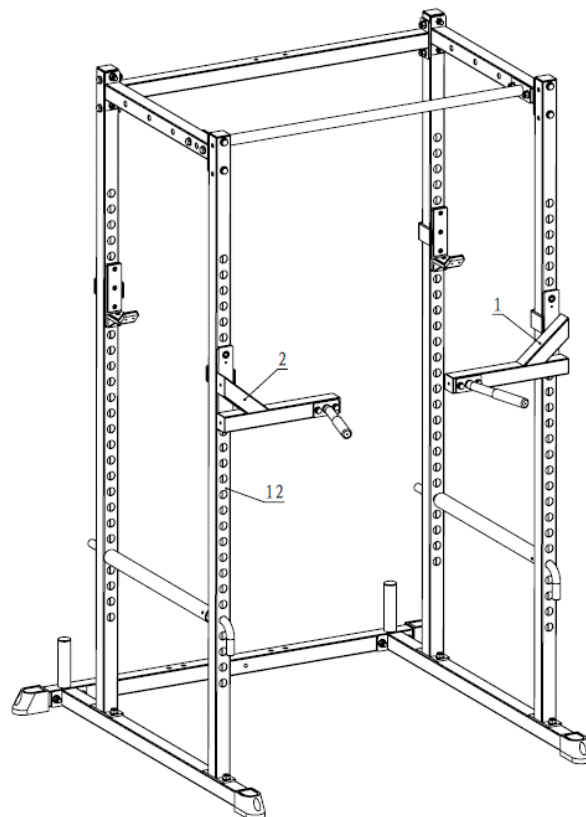
STEP 1

Connect the Left Dip Bar (1) and Handle bar (3), using Flat Washer $\Phi 11*\Phi 20*2$ (7), Flat Washer $\Phi 11*\Phi 34*3$ (8), Spring Washer $\Phi 10$ (9) and Hex Bolt M10*25 (10).



STEP 2

Install the Left and Right Dip Bar (1 & 2) on the Upright Frame (12).





*This concludes the JHOOKDIP T2 Owner's Manual.
If applicable to your product, make sure to tighten
all nut-and-bolt combinations before use.*

Enjoy!

DISCLAIMER

This equipment must be used with care by capable and competent individuals under supervision, if necessary.

The use of any fitness equipment, including this one, involves the potential risk of injury. You accept and assume full responsibility for any and all injuries, damages (both economic and non-economic), and losses of any type, which may occur, and you fully and forever release and discharge Titan, its insurers, employees, officers, directors, associates, and agents from any and all claims, demands, damages, rights of action, or causes of action, present or future, whether the same be known or unknown, anticipated, or unanticipated, resulting from or arising out of the use of said equipment.

TITAN MAKES NO WARRANTY WHATSOEVER WITH RESPECT TO THE EQUIPMENT, INCLUDING ANY WARRANTY OF MERCHANTABILITY OR WARRANTY OF FITNESS FOR A PARTICULAR PURPOSE, WHETHER EXPRESS OR IMPLIED BY LAW, COURSE OF DEALING, COURSE OF PERFORMANCE, USAGE OF TRADE OR OTHERWISE. BUYER ASSUMES ALL LIABILITY IN USE OF THE EQUIPMENT.

NEED HELP?

CONTACT US FIRST.

1 (800) 605-8241

info@titandistributorsinc.com / www.titan.fitness

Business Hours: Monday–Friday • 8:00 a.m.–5:00 p.m. (CT)

