

# TITAN SERIES POWER RACK

---

90TITAN, 100TITAN, TITAN36, TITAN42, PUB114TITAN, PUB2TITAN, TITANFDWN36, TITANFDWN42, TRLJHOOKS, TITANSNDJHOOK, TITANLOGOSTB, TITANSTRAP36, TITANSTRAP42



## Operator's Manual

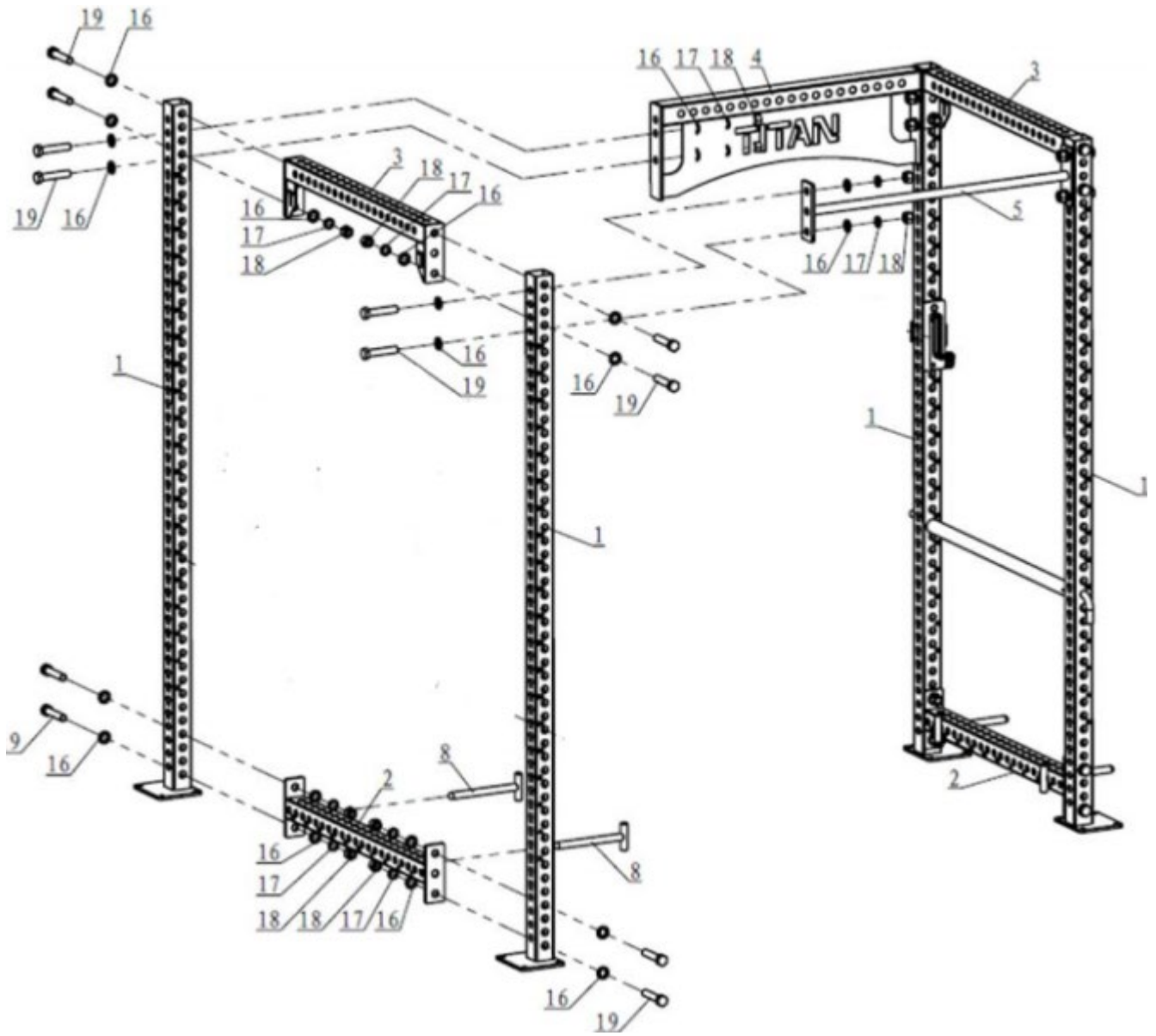


Read the Operator's Manual entirely. When you see this symbol, the subsequent instructions and warnings are serious follow without exception. Your life and the lives of others depend on it!

## **WHEN ASSEMBLING YOUR TITAN SERIES, WE HIGHLY RECOMMEND THAT YOU...**

- ENLIST THE HELP OF A FRIEND
- WATCH EACH OTHER AND BE MINDFUL OF YOUR SURROUNDINGS AS YOU PERFORM EACH ASSEMBLY STEP
- EXERCISE EXTREME CAUTION, ESPECIALLY WHEN STANDING UP THE UPRIGHTS AND LIFTING PARTS OVERHEAD
- DO NOT OVEREXERT YOURSELF; TAKE BREAKS

PARTS DIAGRAM / EXPLODED VIEW



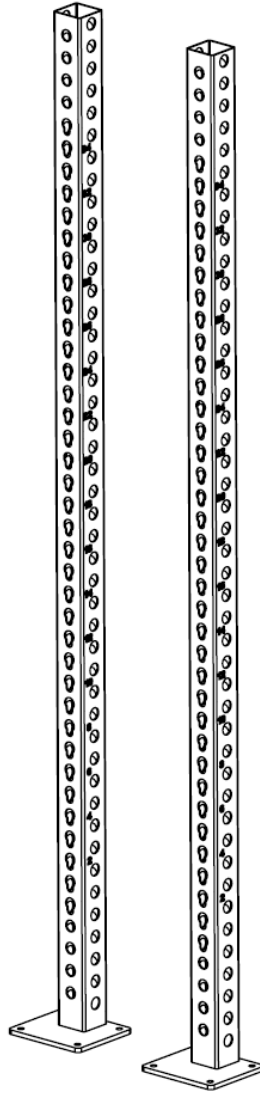
**PARTS DIAGRAM / EXPLODED VIEW**

---

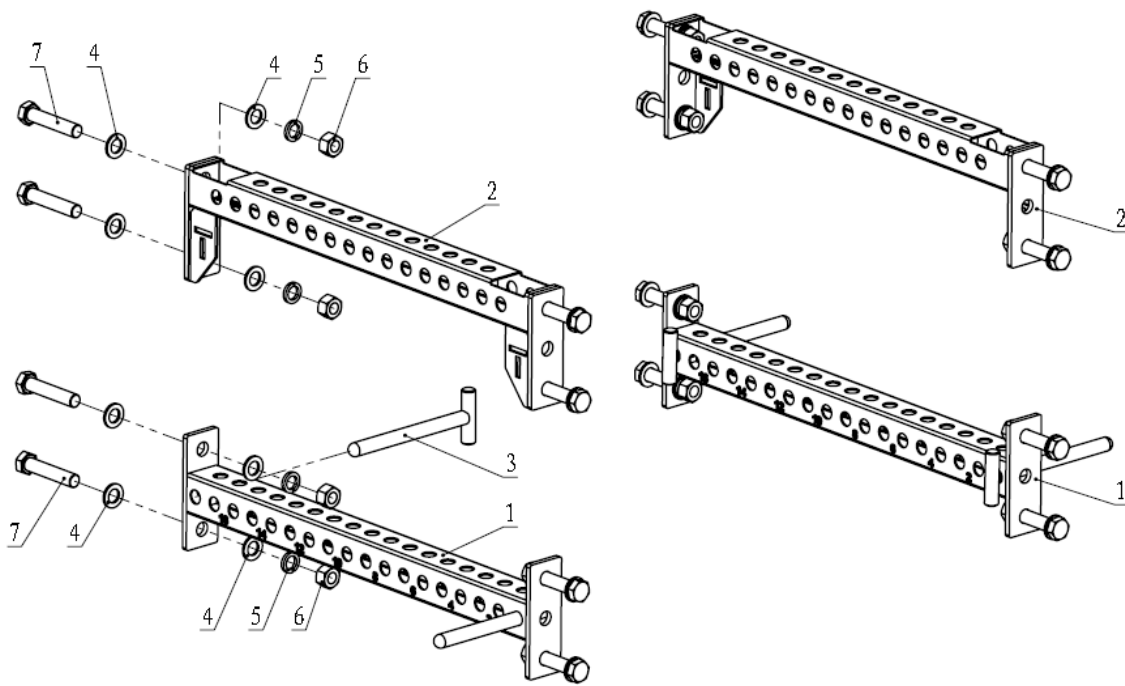
<b>KEY</b>	<b>(BOX 1 = TITAN1) (BOX 2 = TITAN2)</b>	<b>DESCRIPTION</b>	<b>QTY</b>
(1)	1	UPRIGHT	x4
(2)	2	BASE FRAME	x2
(3)	2	UPPER FRAME	x2
(4)	2	LOGO PLATE	x1
(5)	2	1.25 OR 2" PULL-UP BAR	x1
(8)	2	BAND PEG	x4
(16)	2	FLAT WASHER $\Phi 26 * \Phi 44 * 4$	x44
(17)	2	SPRING WASHER $\Phi 24$	x20
(18)	2	NUT M24	x20
(19)	2	BOLT M24*120	x24

**90TITAN OR 100TITAN UPRIGHTS**

---



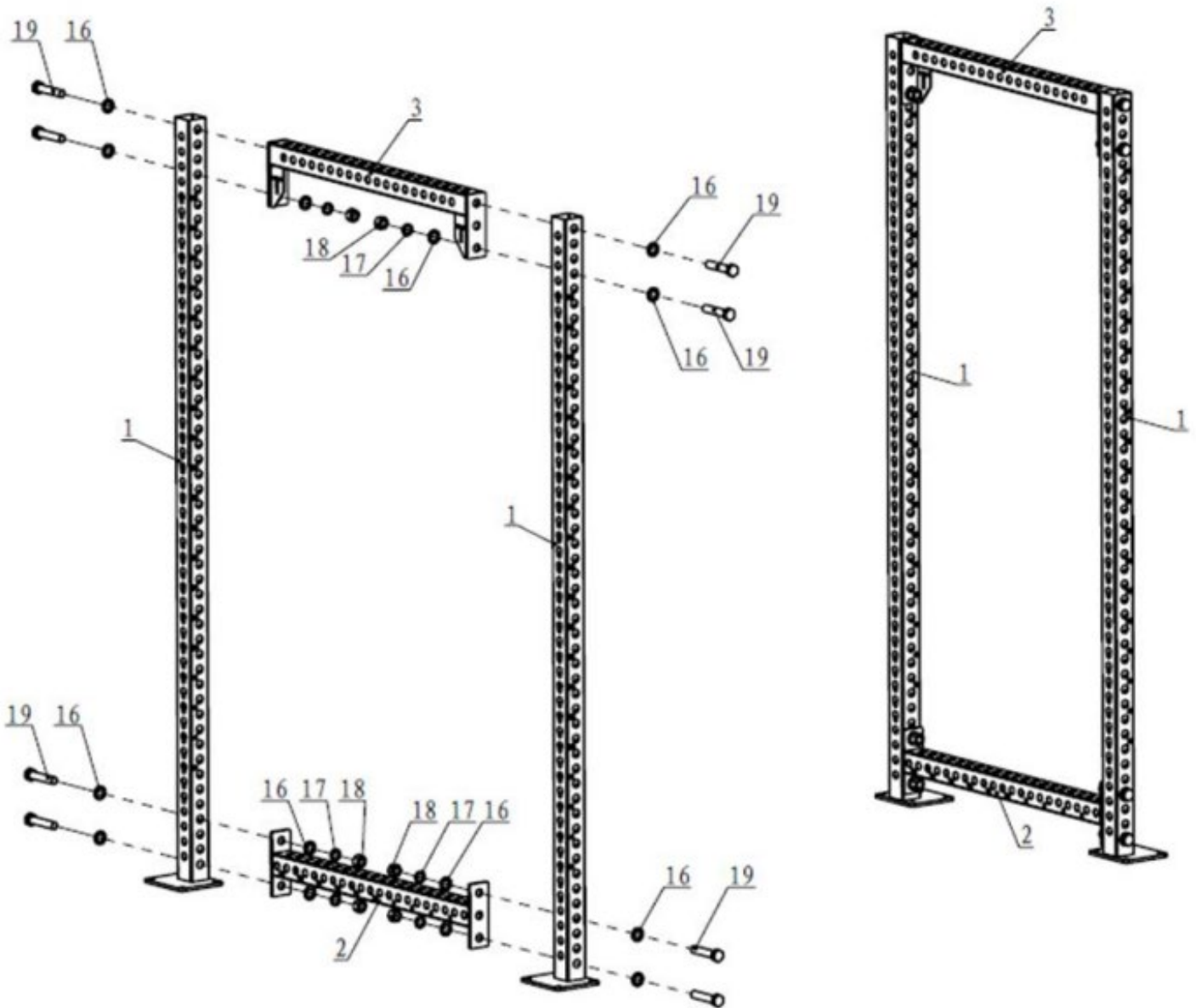
<b>KEY</b>	<b>BOX</b>	<b>DESCRIPTION</b>	<b>QTY</b>
(1)	1 (X2)	(2) 90" TITAN UPRIGHTS	4
(2)	1 (X2)	(2) 100" TITAN UPRIGHTS	4



KEY	BOX	DESCRIPTION	QTY
(1)	1	LOWER SIDE BRACING	2
(2)	1	UPPER SIDE BRACING	2
(3)	1	BAND PEGS	4
(4)	1	FLAT WASHER $\Phi 26 * \Phi 44 * 4$	32
(5)	1	SPRING WASHER $\Phi 24$	16
(6)	1	NUT M24	16
(7)	1	HEX BOLT M24*120	16

## ASSEMBLY INSTRUCTION – TITAN SERIES POWER RACK

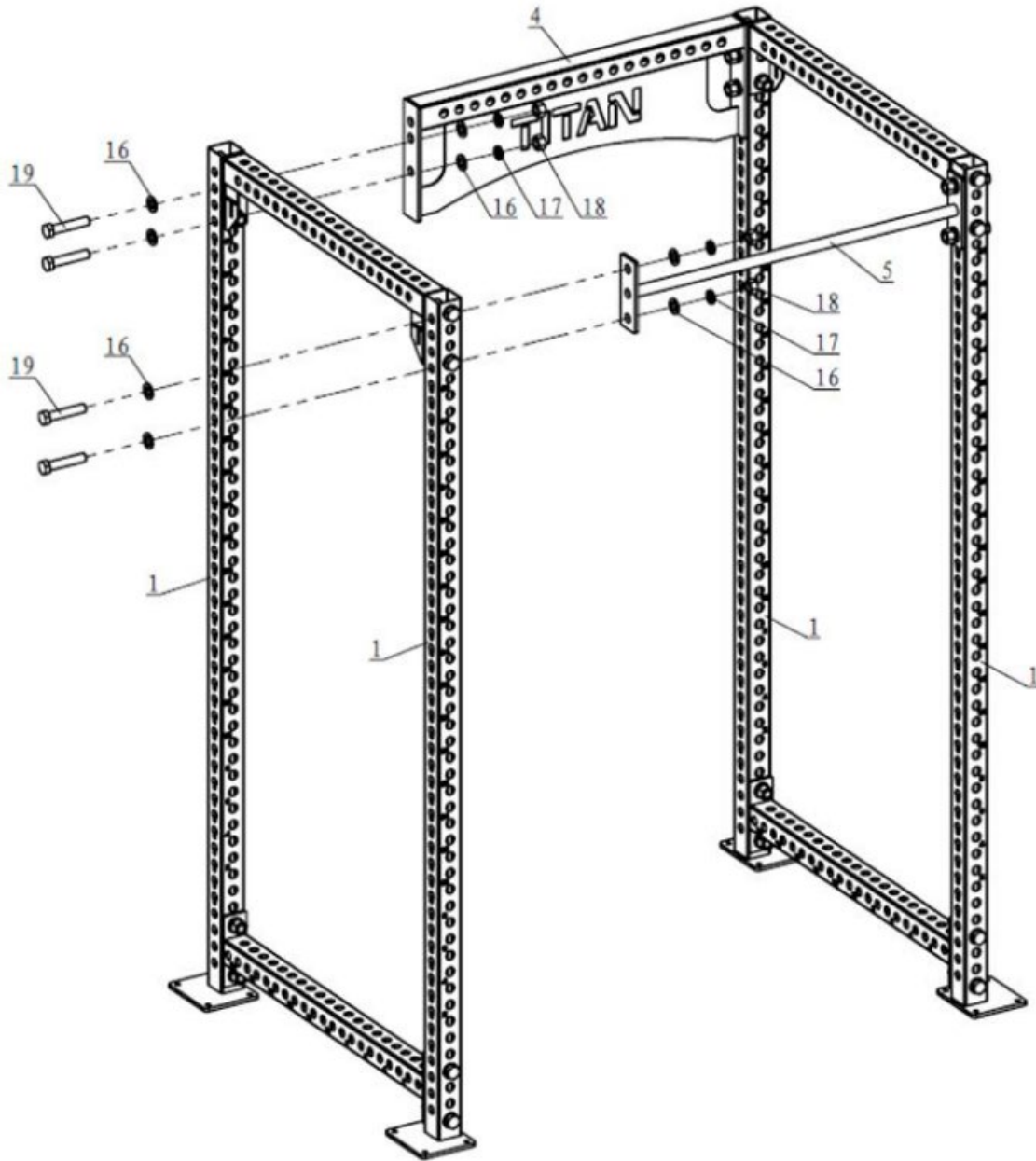
1. Secure each **UPPER FRAME (3)** and **BASE FRAME (2)** between two **UPRIGHTS (1)** using **FLAT WASHERS  $\Phi 26 \times \Phi 44 \times 4$  (16)**, **SPRING WASHERS  $\Phi 24$  (17)**, **NUTS M24 (18)**, and **BOLTS M24\*120 (19)** as shown in the image below.



## ASSEMBLY INSTRUCTION – TITAN SERIES POWER RACK

---

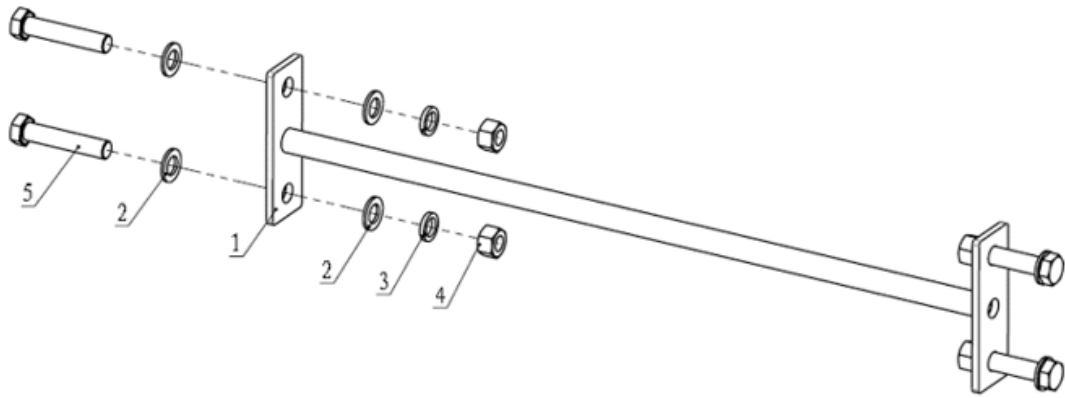
2. Install the **LOGO PLATE (4)** and **PULL-UP BAR (5)** between the **UPRIGHTS (1)** using **FLAT WASHERS  $\Phi 26*\Phi 44*4$  (16)**, **SPRING WASHERS  $\Phi 24$  (17)**, **NUTS M24 (18)**, and **BOLTS M24\*120 (19)** as seen in the figure below.



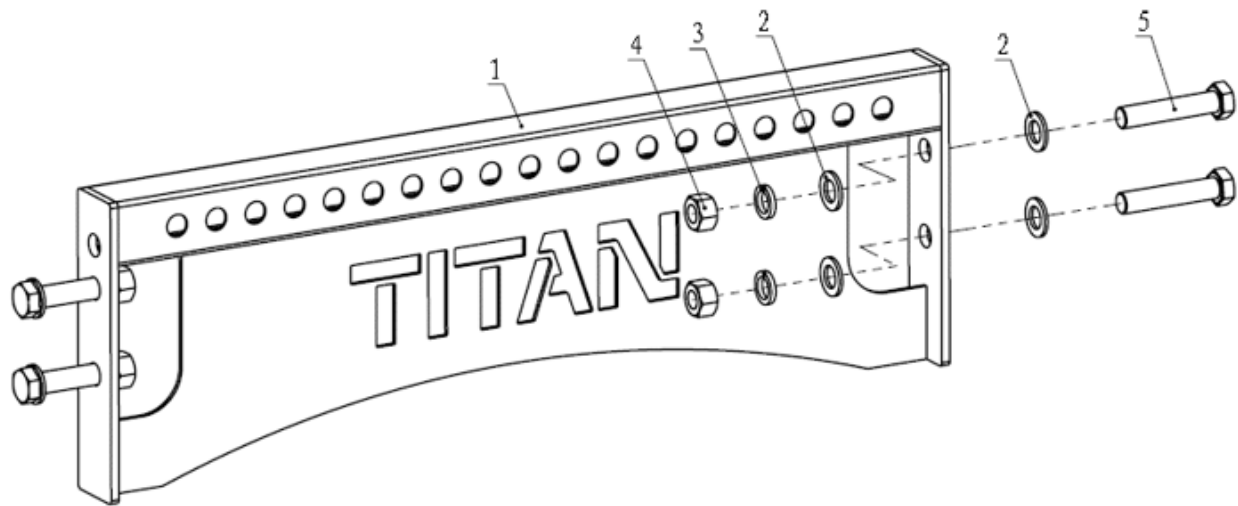


**PUB114TITAN OR PUB2TITAN**

---

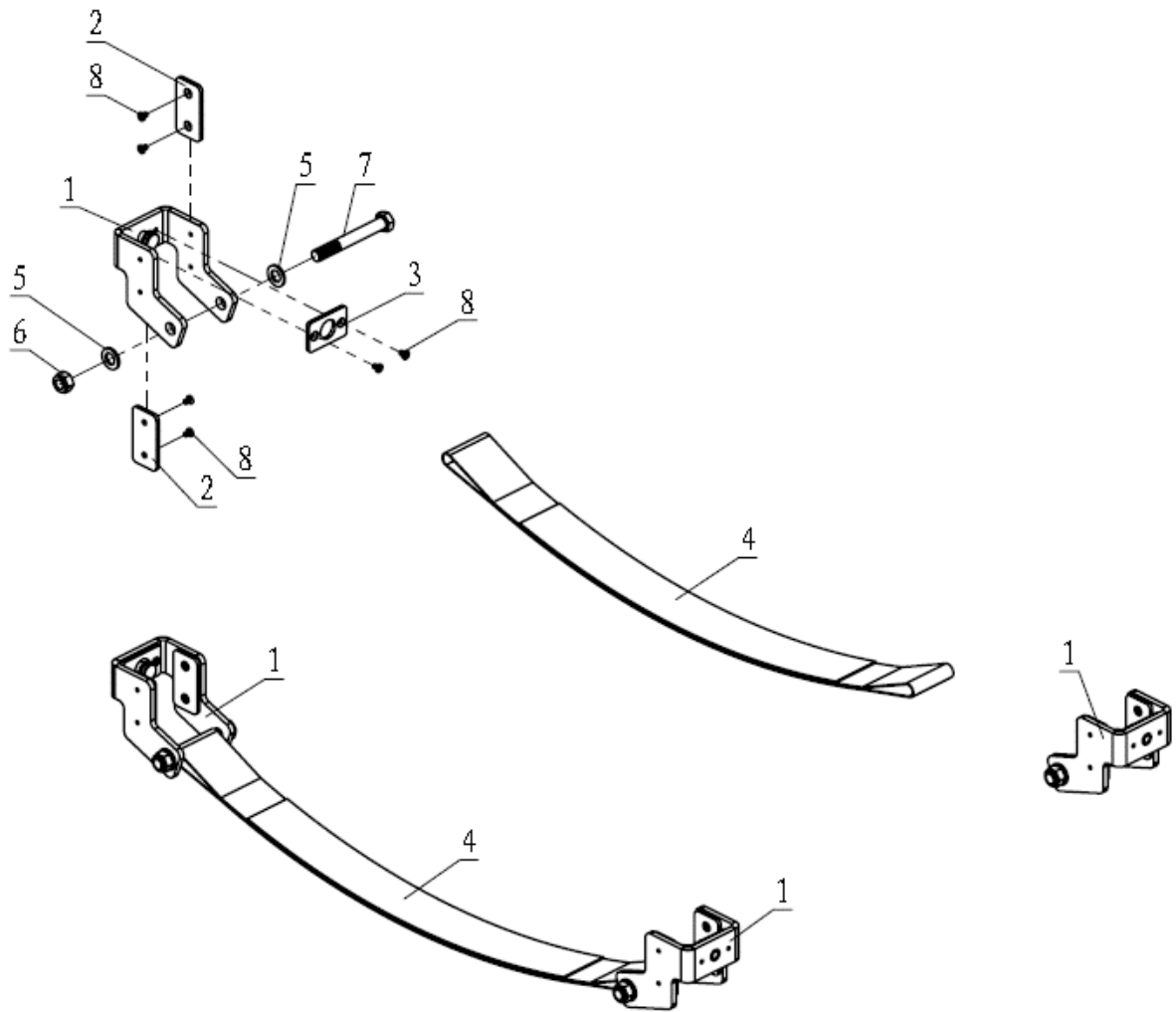


KEY	BOX	DESCRIPTION	QTY
(1)	1	1.25" OR 2" PULL UP BAR	1
(2)	1	FLAT WASHER 26*44*4	8
(3)	1	SPRING WASHER 24	4
(4)	1	NUT M24	4
(5)	1	HEX BOLT M24*120	4

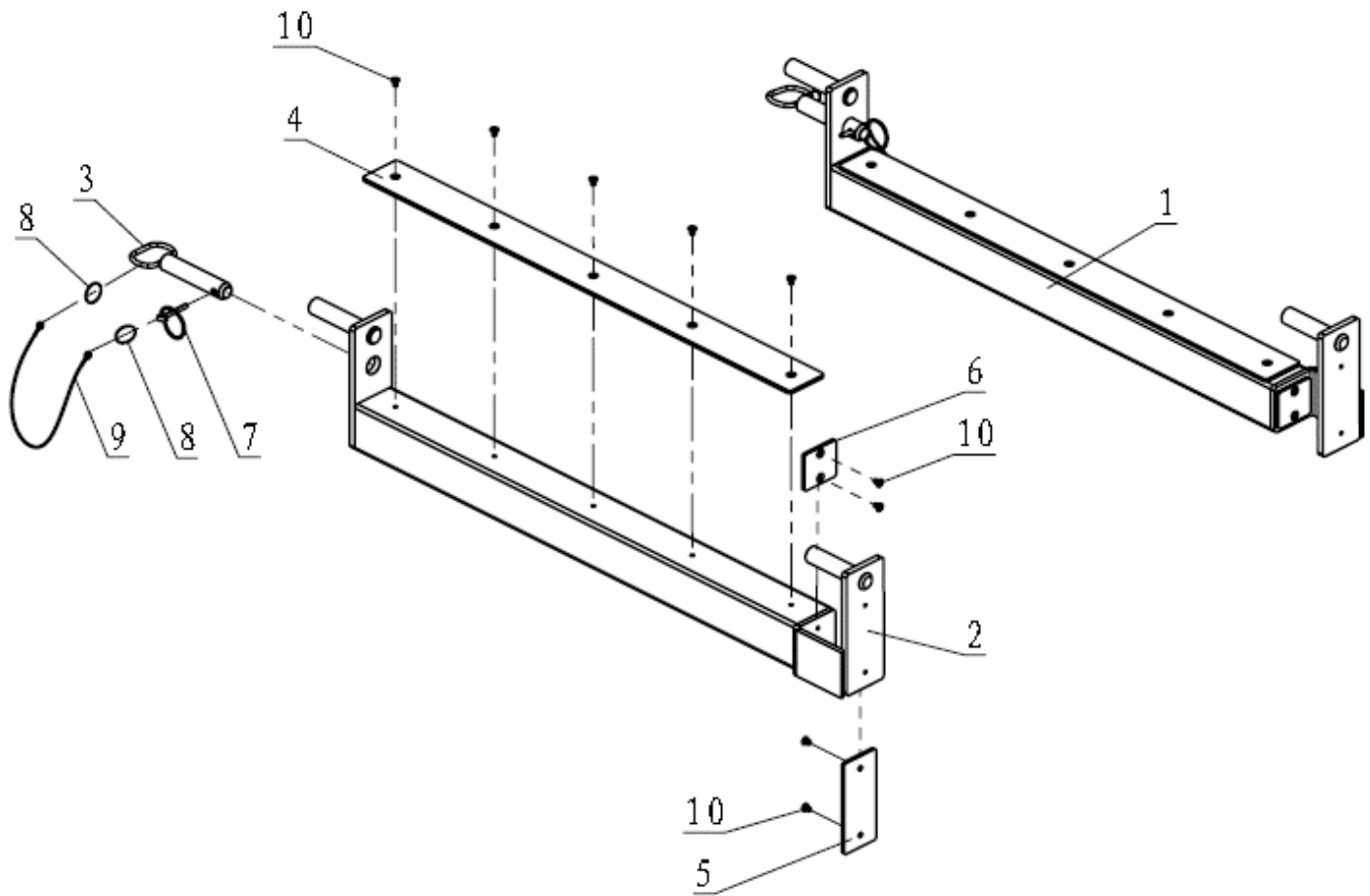


KEY	BOX	DESCRIPTION	QTY
(1)	1	LOGO FRAME	1
(2)	1	FLAT WASHER 26*44*4	8
(3)	1	SPRING WASHER 24	4
(4)	1	NUT M24	4
(5)	1	HEX BOLT M24*120	4

TITANSTRAP36 OR TITANSTRAP42

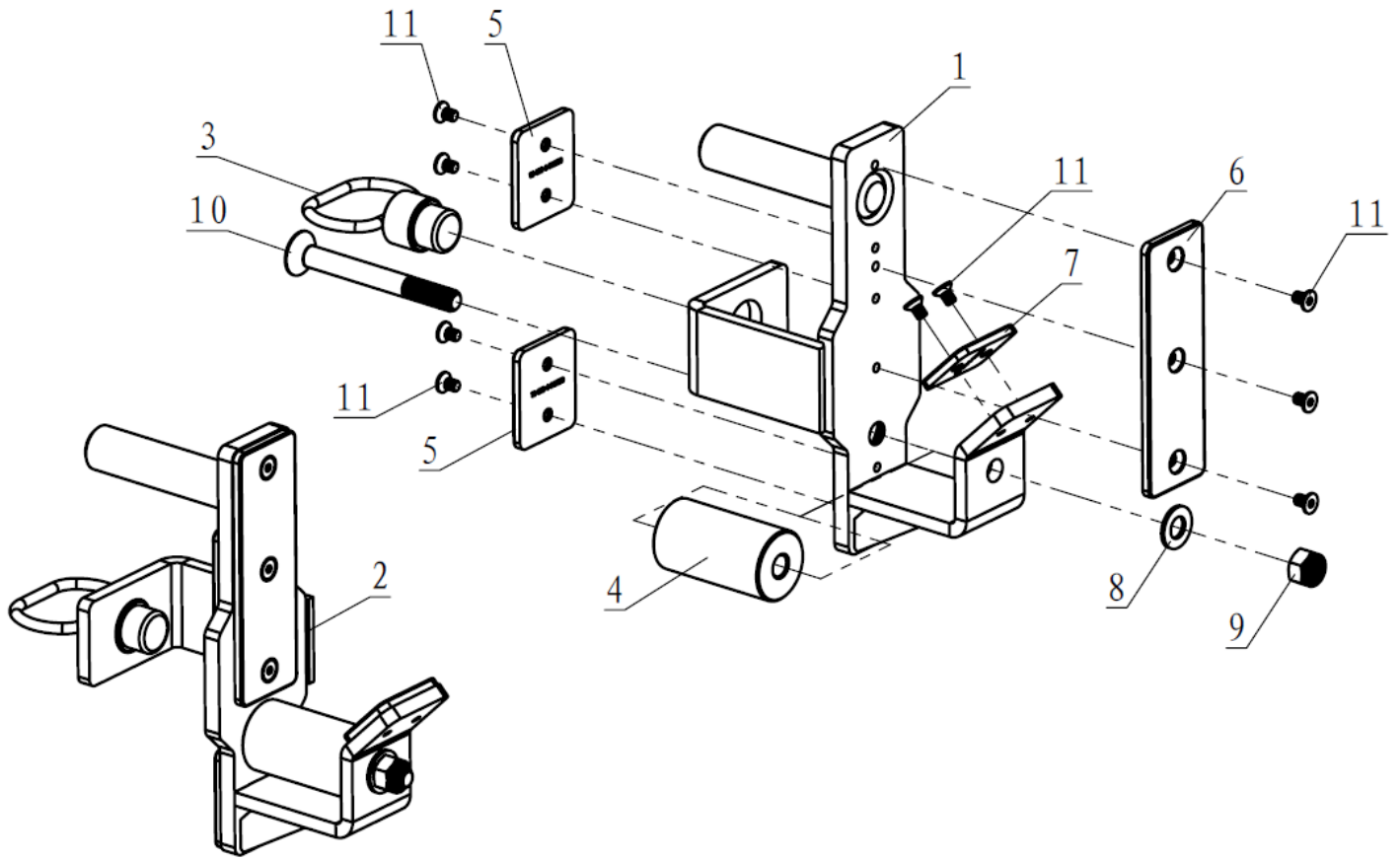


KEY	BOX	DESCRIPTION	QTY	KEY	BOX	DESCRIPTION	QTY
(1)	1	BRACKET SAFETY STRAP	4	(6)	1	FLAT WASHER 17*30*3	8
(2)	1	REINFORCED SIDE PLATE	8	(7)	1	NUT M16	4
(3)	1	REINFORCED REAR PLATE	4	(8)	1	SCREW M16*125	4
(4)	1	SAFETY STRAP	2	(9)	1	SCREW M6*10	24

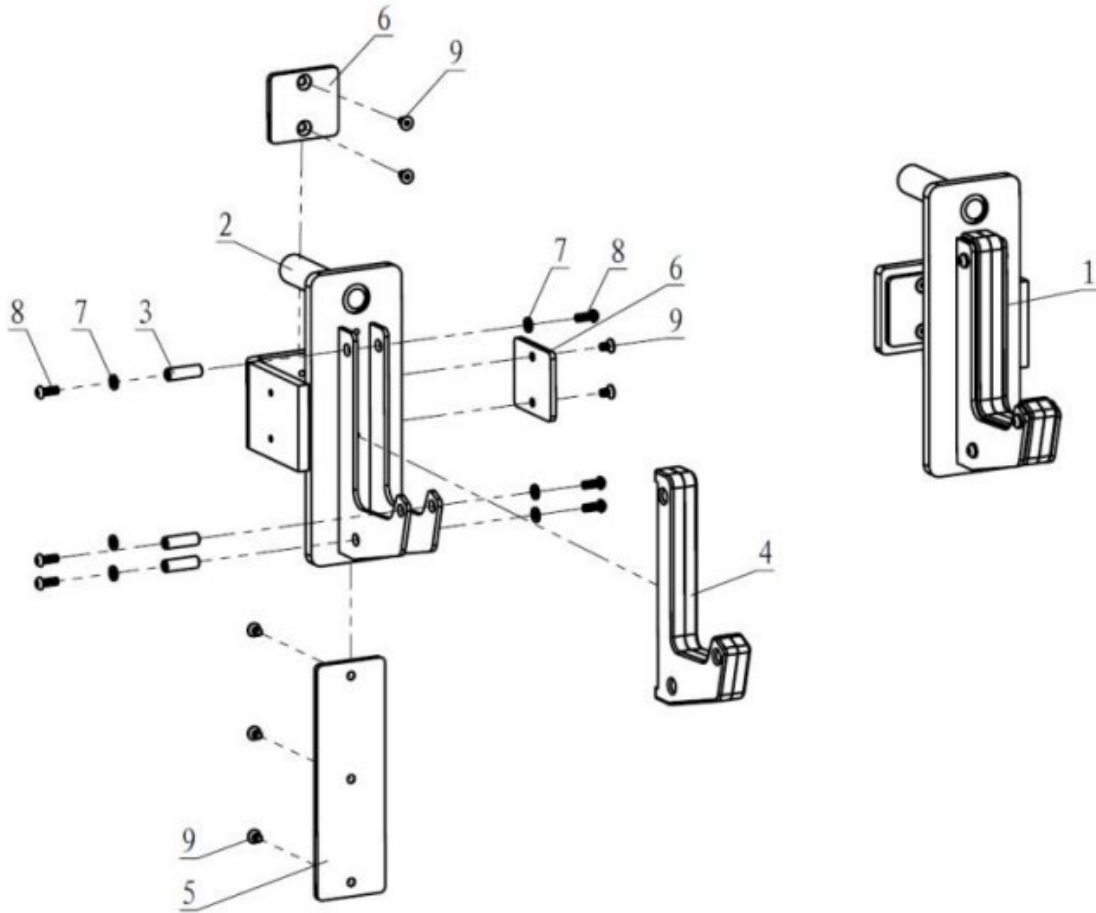


KEY	BOX	DESCRIPTION	QTY	KEY	BOX	DESCRIPTION	QTY
(1)	1	LEFT SAFETY ARM	1	(6)	1	PLASTIC PLATE	2
(2)	1	RIGHT SAFETY ARM	1	(7)	1	SMALL PIN $\Phi 6 \times 45$	2
(3)	1	PIN	2	(8)	1	PULL RING $\Phi 1.5 \times 31$	4
(4)	1	PLASTIC PLATE	2	(9)	1	CABLE $\Phi 5.5 \times \Phi 1.6 \times 330$	2
(5)	1	PLASTIC PLATE	2	(10)	1	SCREW M6*10	18

**TRLJHOOK**



KEY	BOX	DESCRIPTION	QTY	KEY	BOX	DESCRIPTION	QTY
(1)	1	LEFT J-HOOK	1	(7)	1	FRONT PLASTIC PLATE	2
(2)	1	RIGHT J-HOOK	1	(8)	1	FLAT WASHER	2
(3)	1	LOCK PIN	2	(9)	1	NUT M12	2
(4)	1	ROLLER	2	(10)	1	HEX BOLT M12*110	2
(5)	1	SHORT PLASTIC PLATE	4	(11)	1	HEX BOLT M6*10	18
(6)	1	LONG PLASTIC PLATE	2				



KEY	BOX	DESCRIPTION	QTY	KEY	BOX	DESCRIPTION	QTY
(1)	1	LEFT J-HOOK	1	(6)	1	REINFORCE PLATE	4
(2)	1	RIGHT J-HOOK	1	(7)	1	FLAT WASHER Φ6.6*Φ12*1.6	12
(3)	1	SLEEVE	6	(8)	1	HEX BOLT M6*15	12
(4)	1	PLASTIC SAFETY HOOK	2	(9)	1	HEX BOLT M6*10	14
(5)	1	BACK REINFORCE PLATE	2				

## ACKNOWLEDGEMENT OF RISK AND RELEASE OF LIABILITY

---

The use of any equipment, including this one, involves the potential risk of injury. Apart from any warranty claim that might be presented for a claimed defect in material or workmanship of the product, you accept and assume full responsibility for any and all injuries, damages (both economic and non-economic), and losses of any type, which may occur, and you fully and forever release and discharge Titan, its insurers, employees, officers, directors, associates, and agents from any and all claims, demands, damages, rights of action, or causes of action, present or future, whether the same be known or unknown, anticipated, or unanticipated, resulting from or arising out of the use of said equipment.

This equipment must be used with care by capable and competent individuals under supervision,

## WARNING

---



Heavy object. Use lifting aids and proper lifting techniques when moving.



Choking hazard. Small parts – Please exercise caution if small children or pets are present.



Sharp objects may be involved. Use precaution and protection.

## TITAN LIMITED WARRANTY: TERMS, EXCLUSIONS AND LIMITATIONS OF REMEDIES

---

This product comes with a one (1) year limited warranty that can be found at [www.titan.fitness/warranty.html](http://www.titan.fitness/warranty.html) Please review the same for all details regarding the Titan Limited Warranty.

**THE TITAN LIMITED WARRANTY FOUND AT [WWW.TITAN.FITNESS/WARRANTY](http://WWW.TITAN.FITNESS/WARRANTY) IS EXCLUSIVE AND IS IN LIEU OF ALL OTHER WARRANTIES, EXPRESS OR IMPLIED, INCLUDING ANY IMPLIED WARRANTY OF MERCHANTABILITY AND/OR FITNESS FOR A PARTICULAR PURPOSE, EACH OF WHICH IS HEREBY DISCLAIMED.**



**NEED HELP? CONTACT US FIRST.**

**1-888-410-1503**

**info@titan.fitness**

**www.titan.fitness**

**© 2021 Titan Brands**