



TITAN
FITNESS



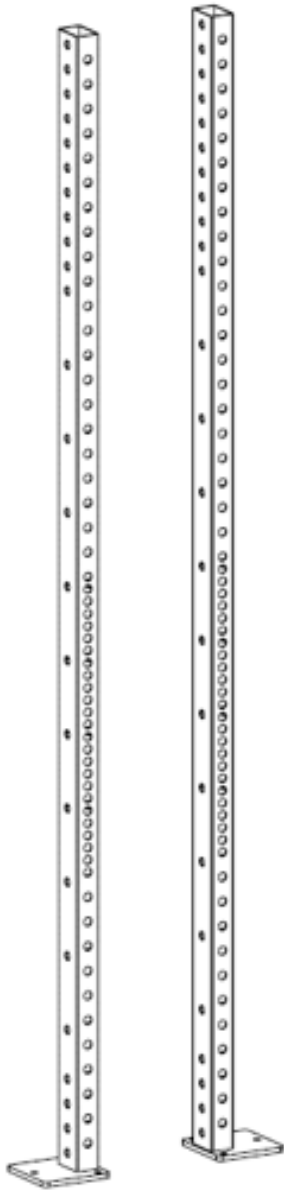
OWNER'S MANUAL

MPN(s): SSRT3UP-SSRT312, SSRT3UP-SSRT318, SSRT3UP-SSRT324, T3UP91-T3SSR12-T3SSRSB12, T3UP91-T3SSR18-T3SSRSB18, T3UP91-T3SSR24-T3SSRSB24

SKU(s): 400270, 400271, 400272, 401298, 401299, 401300

UPC(s): 719318367803, 719318367797, 719318367827, 840009215964, 840009215971, 840009215988

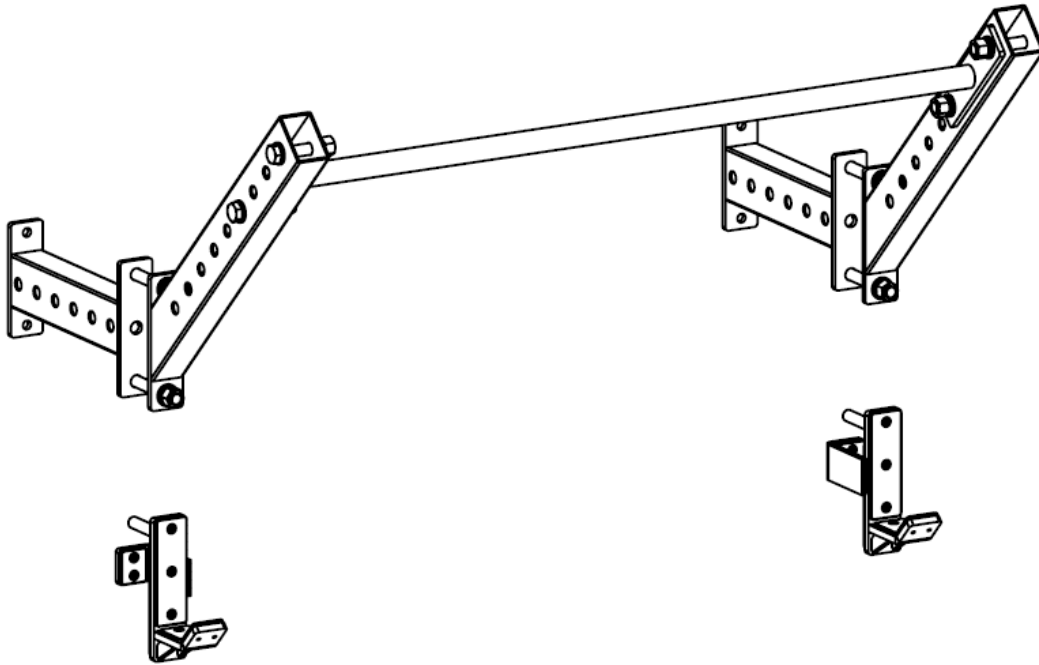
T3UP91 - PARTS DIAGRAM



KEY	BOX	DESCRIPTION	QTY
1	1	400270 - Tall T3 UPRIGHTS	2
1	1	400271 - Tall T3 UPRIGHTS	2
1	1	400272 - Tall T3 UPRIGHTS	2
1	1	401298 - Tall T3 UPRIGHTS	2
1	1	401299 - Tall T3 UPRIGHTS	2
1	1	401230 - Tall T3 UPRIGHTS	2

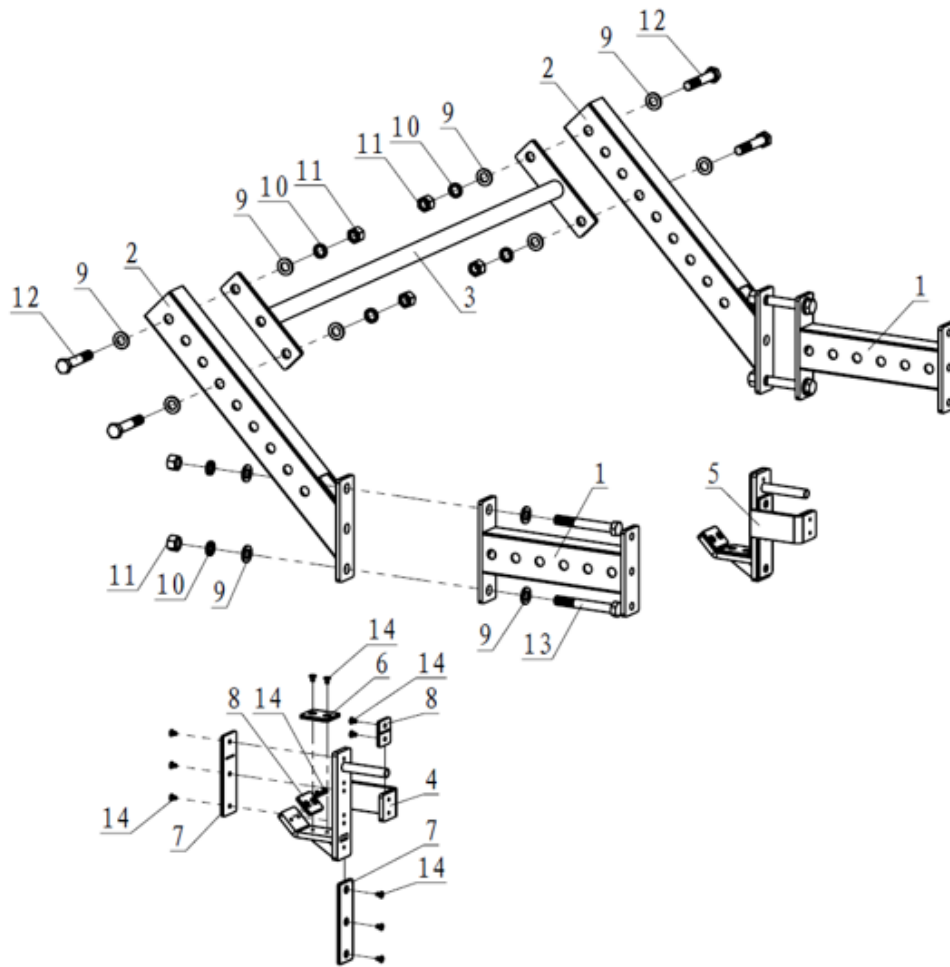


T3SSR – PARTS DIAGRAM



KEY	BOX	DESCRIPTION	QTY
1	1	12" Depth T3 SPACESAVINGS RACK	1
1	1	18" Depth T3 SPACESAVINGS RACK	1
1	1	24" Depth T3 SPACESAVINGS RACK	1





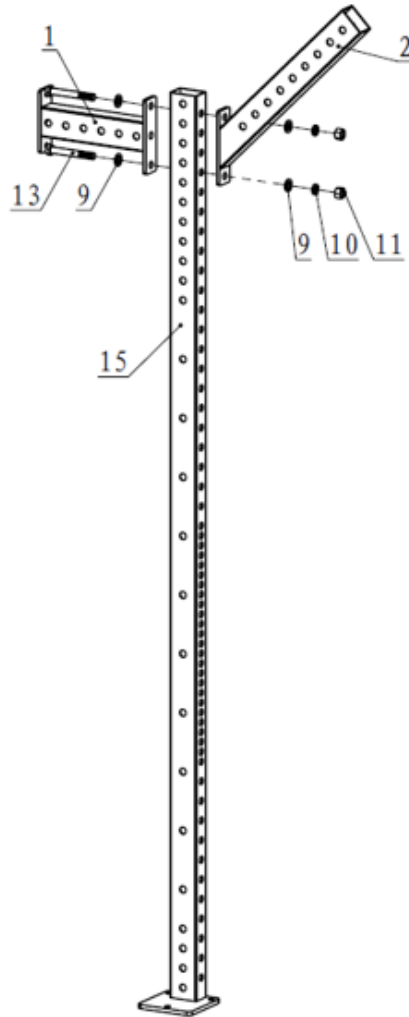
KEY	BOX	DESCRIPTION	QTY	KEY	BOX	DESCRIPTION	QTY
(1)	1	Connecting Frame	2	(8)	1	Front Plastic Plate	4
(2)	1	Diagonal Brace	2	(9)	1	Flat Washer $\Phi 17 \times \Phi 30 \times 3$	16
(3)	1	Pull Up Bar	1	(10)	1	Spring Washer $\Phi 16$	8
(4)	1	Left J-Hook	1	(11)	1	Nut M16	8
(5)	1	Right J-Hook	1	(12)	1	Hex Bolt M16*85	4
(6)	1	Short Plastic Plate	2	(13)	1	Hex Bolt M16*120	4
(7)	1	Long Plastic Plate	4	(14)	1	Hex Bolt M6*10	24



ASSEMBLY INSTRUCTIONS

Step 1

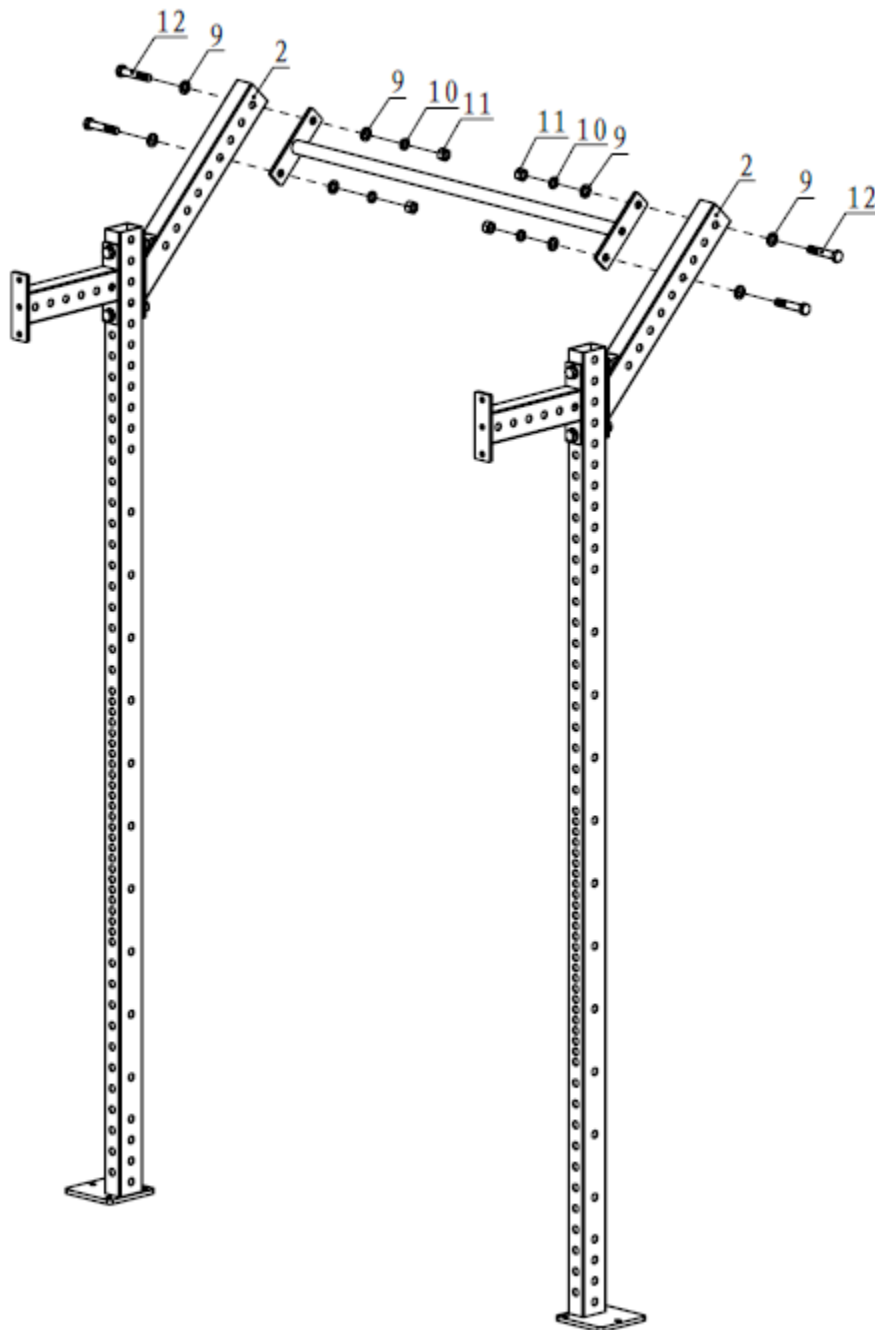
Assemble the Connecting Frame (1) , Diagonal Brace (2) and Upright Frame (15) using Flat Washer $\Phi 17*\Phi 30*3$ (9) , Spring Washer $\Phi 16$ (10) Nut M16 (11) and Hex Bolt M16*120 (13).



Step 2

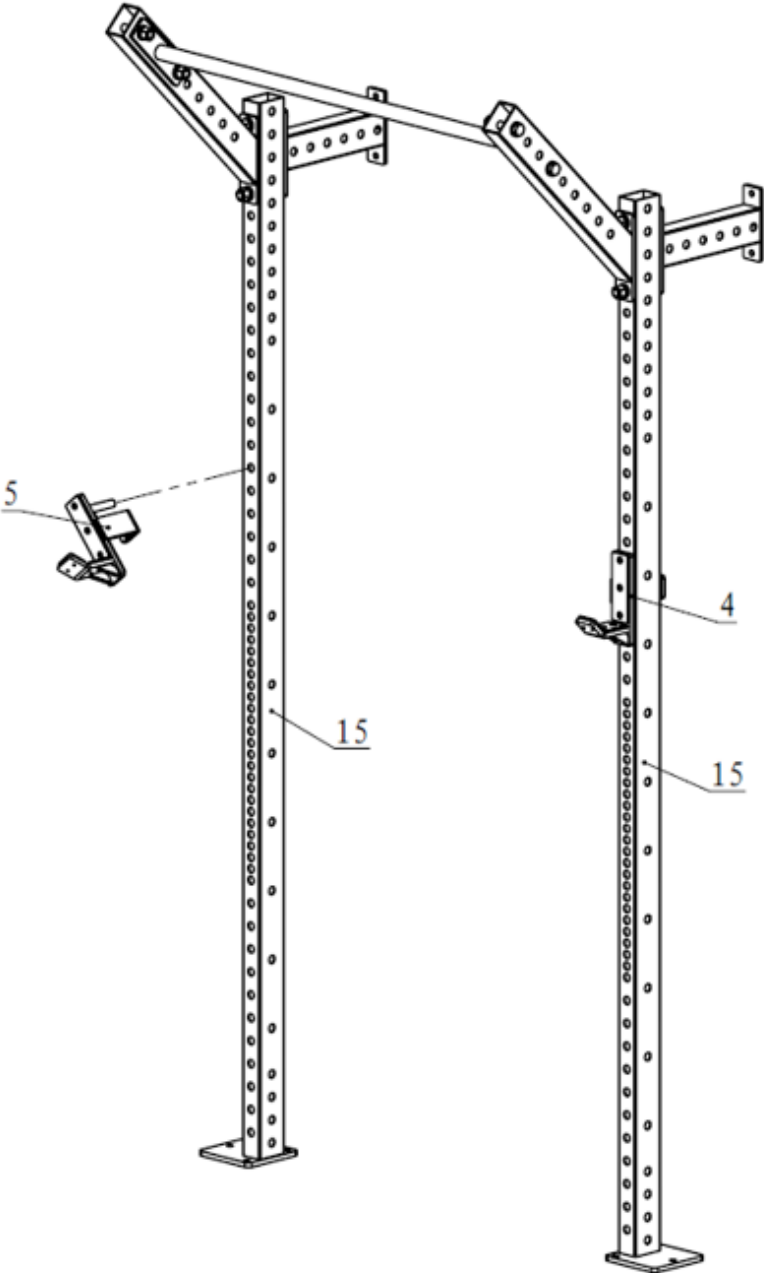
Connect Pull Up Bar (3) and Diagonal Brace (2), using Flat Washer $\Phi 17 * \Phi 30 * 3$ (9), Spring Washer $\Phi 16$ (10) Nut M16 (11) and Hex Bolt M16*85 (12).

Please tighten all the bolts.

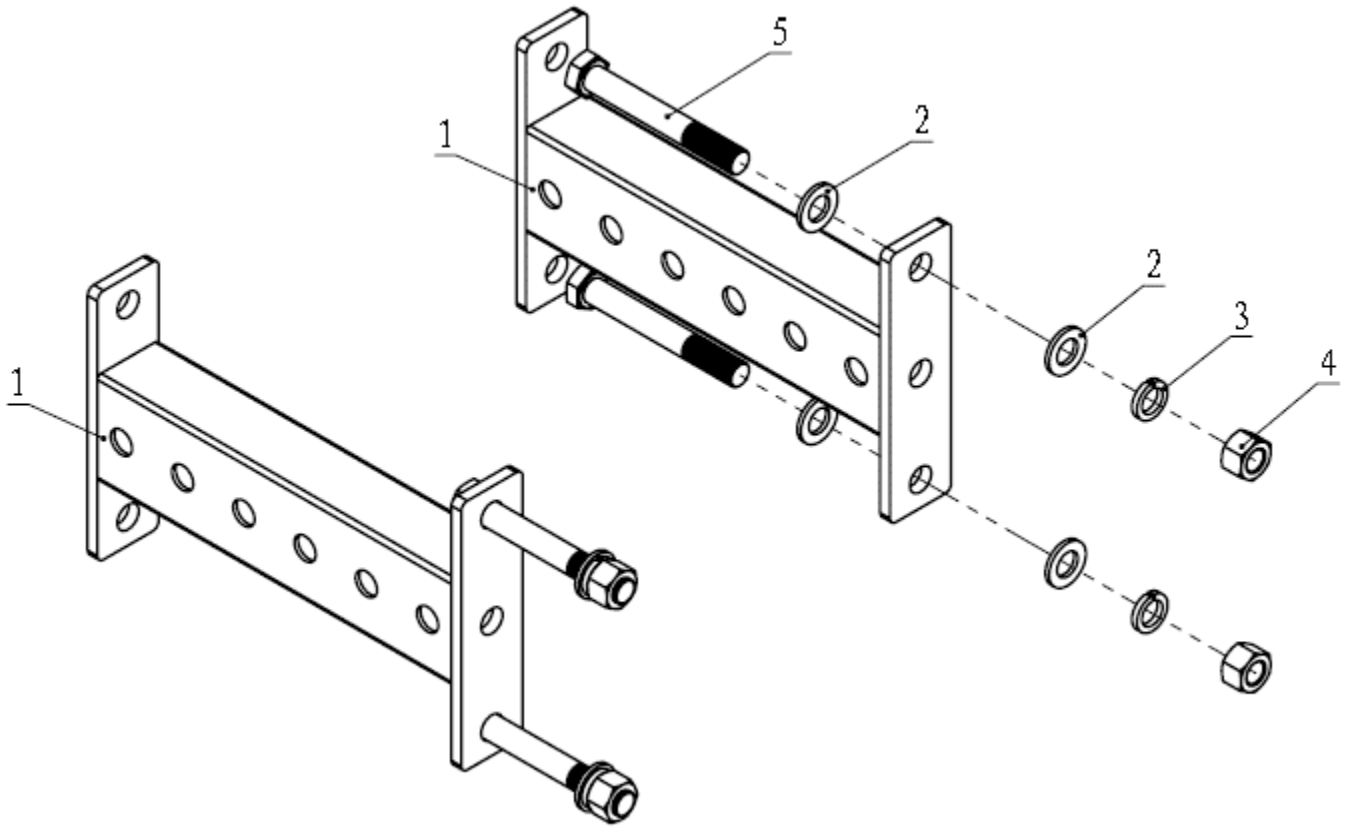


Step 3

Install J-HOOK (4&5) on the Upright Frame (15).



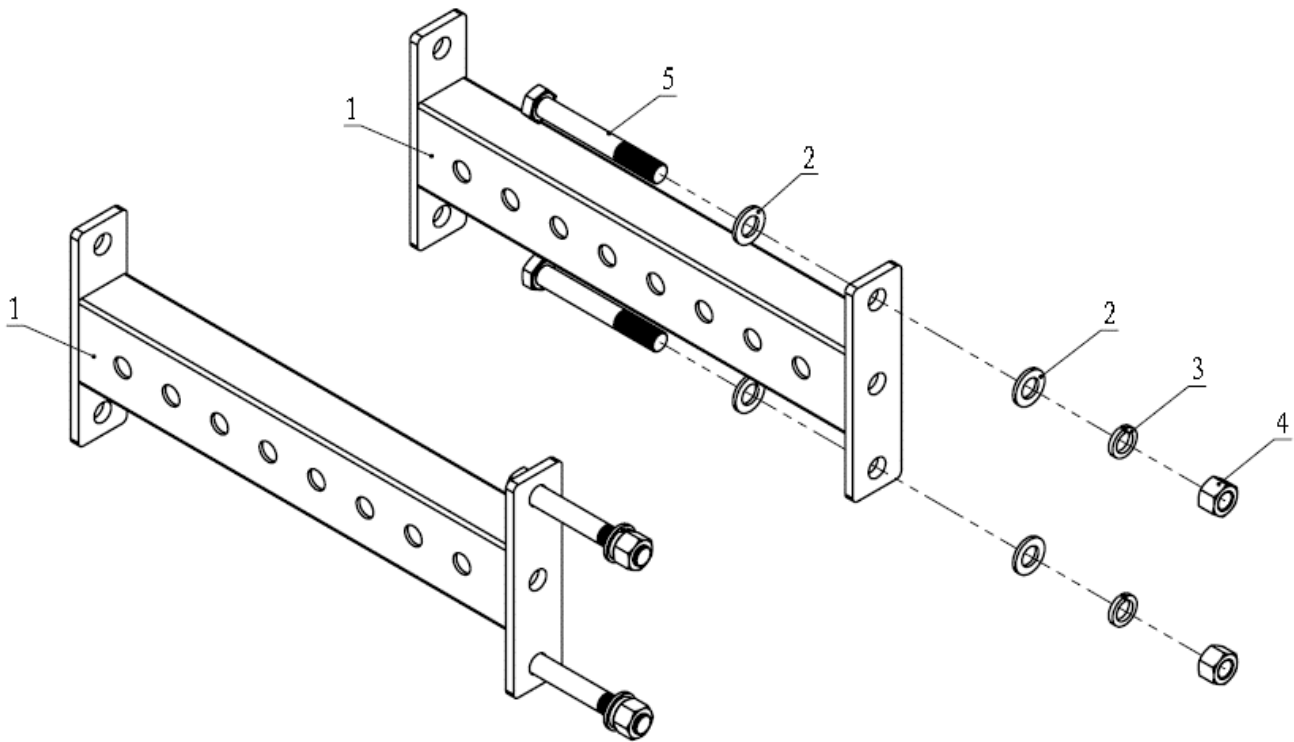
T3SSRSB12 – PARTS DIAGRAM



KEY	BOX	DESCRIPTION	QTY
(1)	1	Connecting Frame	2
(2)	1	Flat Washer $\Phi 17 * \Phi 30 * 3$	8
(3)	1	Spring Washer $\Phi 16$	4
(4)	1	M16 Nut	4
(5)	1	Hex Bolt M16*120	4

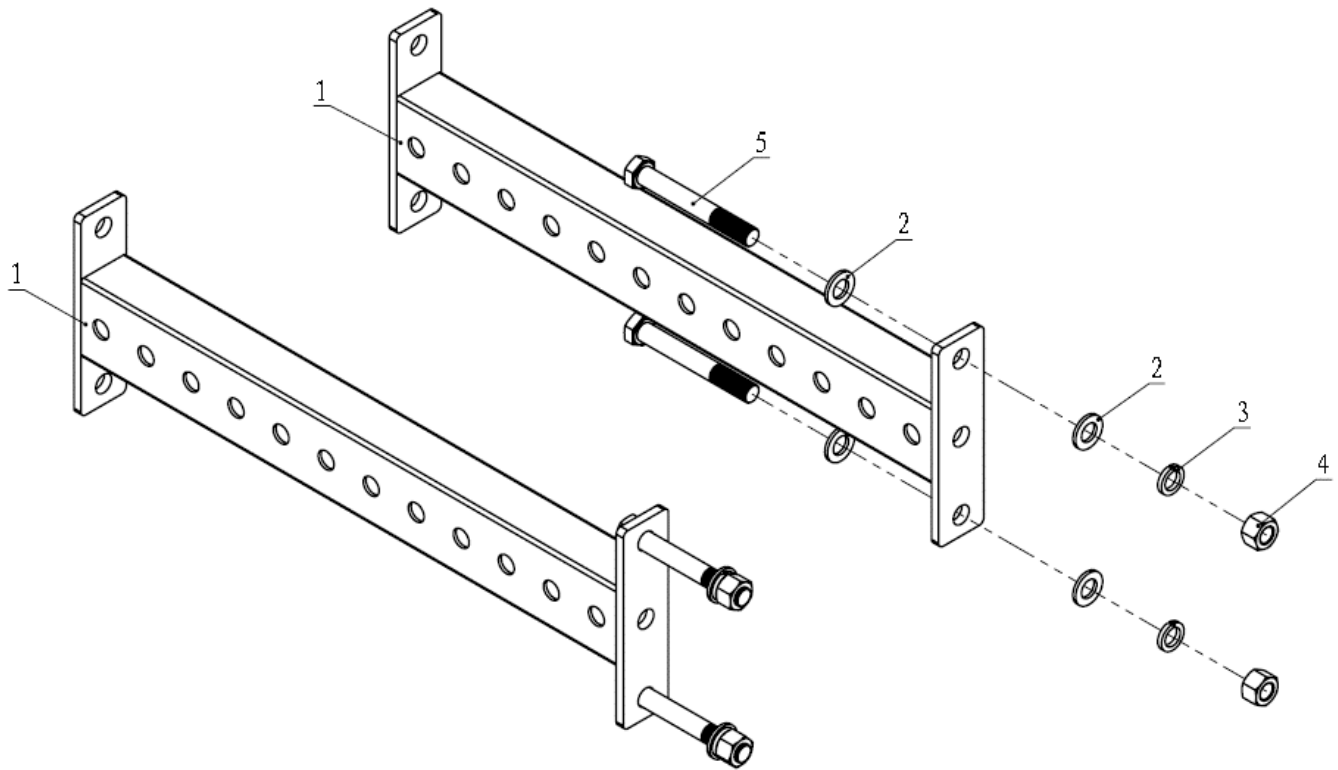


T3SSRSB18 – PARTS DIAGRAM



KEY	BOX	DESCRIPTION	QTY
(1)	1	Connecting Frame	2
(2)	1	Flat Washer $\Phi 17 * \Phi 30 * 3$	8
(3)	1	Spring Washer $\Phi 16$	4
(4)	1	M16 Nut	4
(5)	1	Hex Bolt M16*120	4

T3SSRSB24 – PARTS DIAGRAM



KEY	BOX	DESCRIPTION	QTY
(1)	1	Connecting Frame	2
(2)	1	Flat Washer $\Phi 17 * \Phi 30 * 3$	8
(3)	1	Spring Washer $\Phi 16$	4
(4)	1	M16 Nut	4
(5)	1	Hex Bolt M16*120	4

This concludes the T3TALLSPACESAVINGSRACK

Owner's Manual.

*If applicable to your product, make sure to tighten
all nut-and-bolt combinations before use.*

Enjoy!

DISCLAIMER

This equipment must be used with care by capable and competent individuals under supervision, if necessary.

The use of any fitness equipment, including this one, involves the potential risk of injury. You accept and assume full responsibility for any and all injuries, damages (both economic and non-economic), and losses of any type, which may occur, and you fully and forever release and discharge Titan, its insurers, employees, officers, directors, associates, and agents from any and all claims, demands, damages, rights of action, or causes of action, present or future, whether the same be known or unknown, anticipated, or unanticipated, resulting from or arising out of the use of said equipment.

TITAN MAKES NO WARRANTY WHATSOEVER WITH RESPECT TO THE EQUIPMENT, INCLUDING ANY WARRANTY OF MERCHANTABILITY OR WARRANTY OF FITNESS FOR A PARTICULAR PURPOSE, WHETHER EXPRESS OR IMPLIED BY LAW, COURSE OF DEALING, COURSE OF PERFORMANCE, USAGE OF TRADE OR OTHERWISE. BUYER ASSUMES ALL LIABILITY IN USE OF THE EQUIPMENT.

NEED HELP?

CONTACT US FIRST.

1 (800) 605-8241

info@titandistributorsinc.com / www.titan.fitness

Business Hours: Monday–Friday • 8:00 a.m.–5:00 p.m. (CT)

