



TITAN
FITNESS



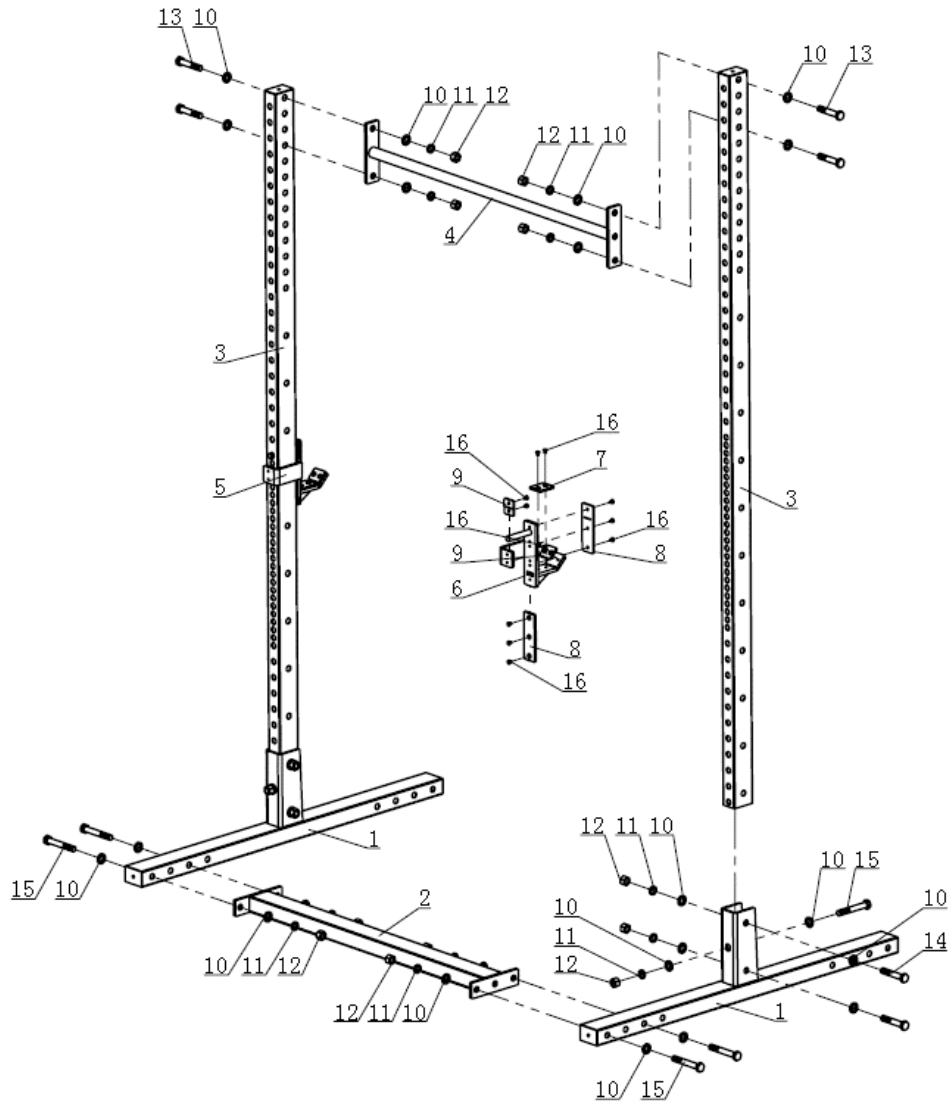
OWNER'S MANUAL

MPN(s): T3SQTUP92-T3SQTBASE

SKU(s): 401331

UPC(s): 840009216787

PARTS DIAGRAM / EXPLODED VIEW



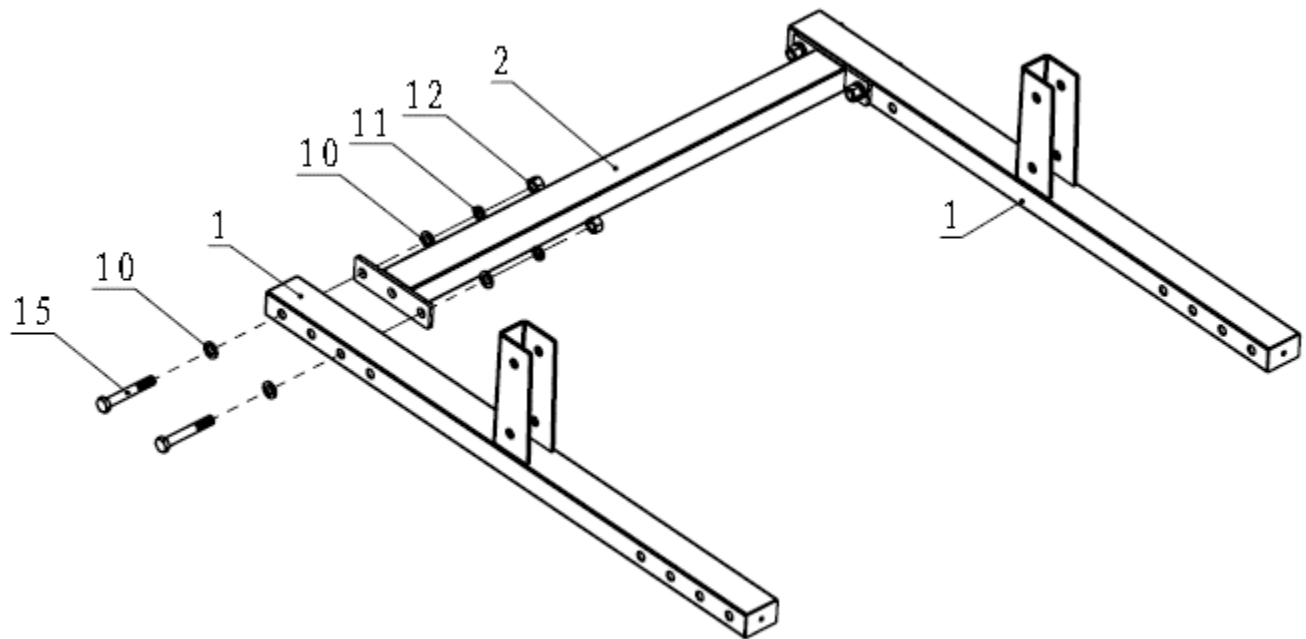
KEY	BOX	DESCRIPTION	QTY	KEY	BOX	DESCRIPTION	QTY
(1)	1	Base Frame	2	(9)	1	Front Plastic Plate 48*40*5	4
(2)	1	Rear Connecting Frame	1	(10)	1	Flat Washer $\Phi 17*\Phi 30*3$	28
(3)	2	Upright Frame	2	(11)	1	Spring Washer $\Phi 16$	14
(4)	1	Pull Up Bar	1	(12)	1	Nut M16	14
(5)	1	J-Hook(L)	1	(13)	1	Hex Bolt M16*85	4
(6)	1	J-Hook(R)	1	(14)	1	Hex Bolt M16*90	4
(7)	1	Short Plastic Plate 58*48*5	2	(15)	1	Hex Bolt M16*110	6
(8)	1	Long Plastic Plate 150*48*5	4	(16)	1	Countersunk head screw M6*10	24



ASSEMBLY INSTRUCTIONS

STEP 1

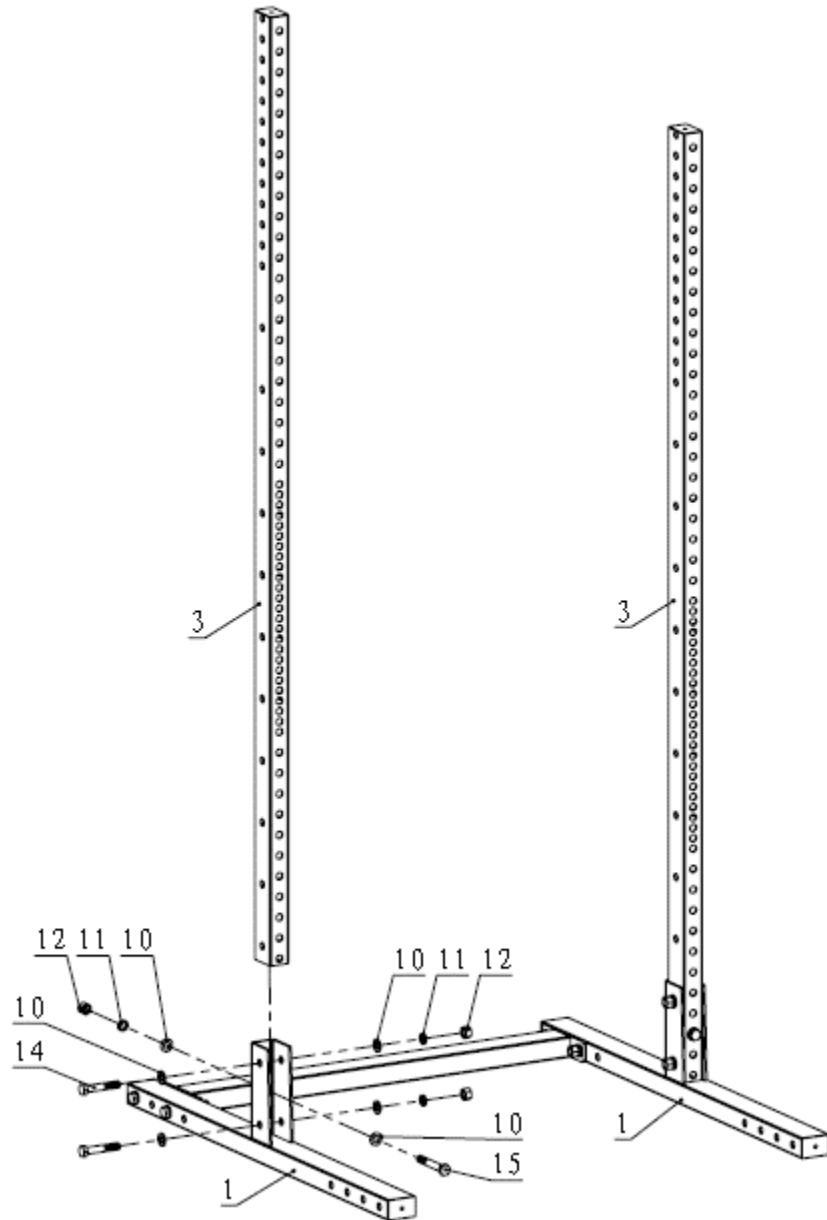
Assemble the Base Frame (1) and Rear Connecting Frame (2), using Flat Washer $\Phi 17*\Phi 30*3$ (10), Spring Washer (11) Nut M16 (12) and Hex Bolt M16*110 (15).



ASSEMBLY INSTRUCTIONS

STEP 2

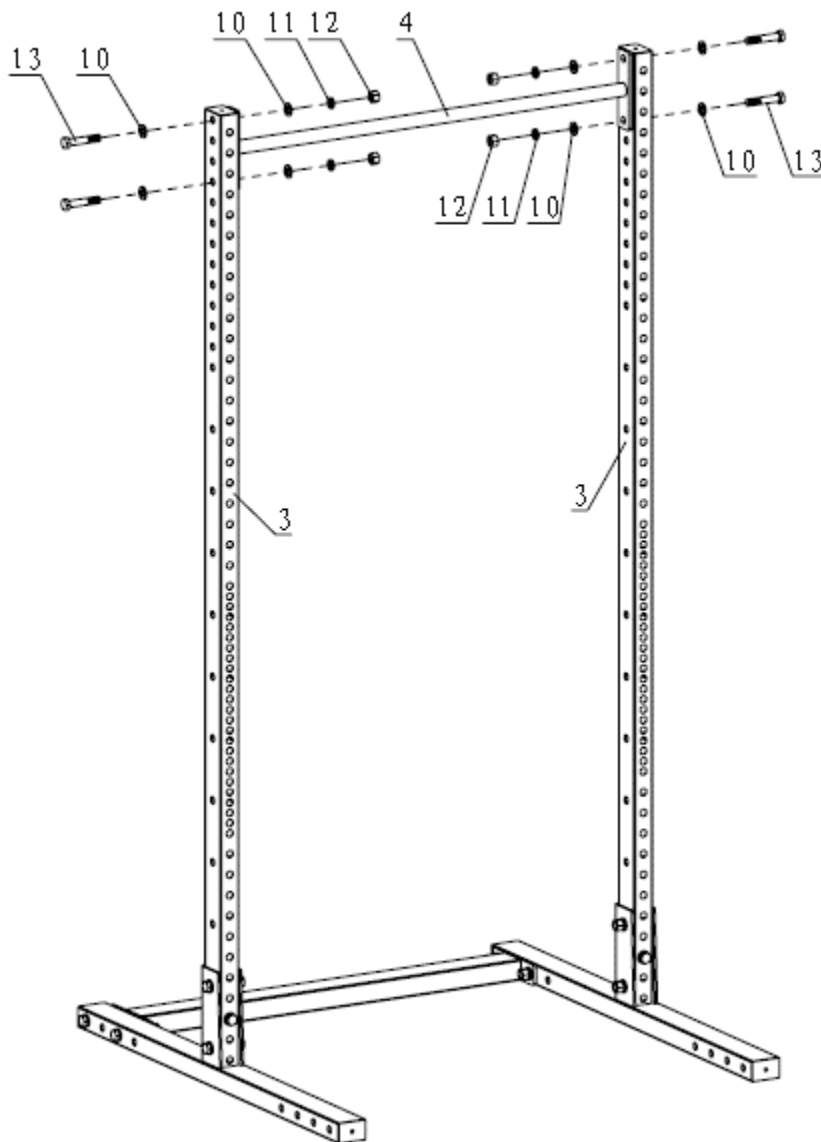
Assemble the Upright Frame (3) on the Base Frame (1), using Flat Washer $\Phi 17*\Phi 30*3$ (10), Spring Washer (11) Nut M16 (12), and Hex Bolt M16*110 (15).



ASSEMBLY INSTRUCTIONS

STEP 3

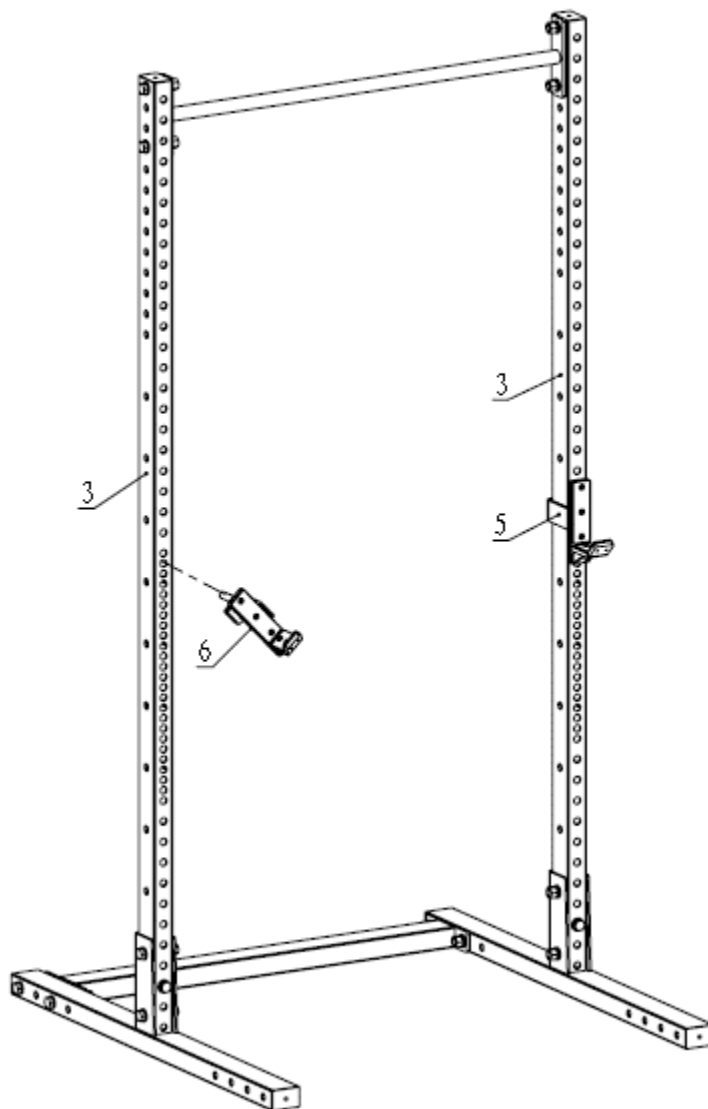
Connect the Pull Up Bar (4) and the Upright Frame(3), using Flat Washer $\Phi 17*\Phi 30*3$ (10), Spring Washer (11) Nut M16 (12), Hex Bolt M16*90 (14) and Hex Bolt M16*85 (13).



ASSEMBLY INSTRUCTIONS

STEP 4

Install the Left & Right J-Hook (5 & 6) on Upright Frame (3).





This concludes the T3SQTUP92-T3SQTBASE

Owner's Manual.

*If applicable to your product, make sure to tighten
all nut-and-bolt combinations before use.*

Enjoy!

DISCLAIMER

This equipment must be used with care by capable and competent individuals under supervision, if necessary.

The use of any fitness equipment, including this one, involves the potential risk of injury. You accept and assume full responsibility for any and all injuries, damages (both economic and non-economic), and losses of any type, which may occur, and you fully and forever release and discharge Titan, its insurers, employees, officers, directors, associates, and agents from any and all claims, demands, damages, rights of action, or causes of action, present or future, whether the same be known or unknown, anticipated, or unanticipated, resulting from or arising out of the use of said equipment.

TITAN MAKES NO WARRANTY WHATSOEVER WITH RESPECT TO THE EQUIPMENT, INCLUDING ANY WARRANTY OF MERCHANTABILITY OR WARRANTY OF FITNESS FOR A PARTICULAR PURPOSE, WHETHER EXPRESS OR IMPLIED BY LAW, COURSE OF DEALING, COURSE OF PERFORMANCE, USAGE OF TRADE OR OTHERWISE. BUYER ASSUMES ALL LIABILITY IN USE OF THE EQUIPMENT.

NEED HELP?

CONTACT US FIRST.

1 (800) 605-8241

info@titandistributorsinc.com / www.titan.fitness

Business Hours: Monday–Friday • 8:00 a.m.–5:00 p.m. (CT)

