

T3 X3 SERIES BATTLE ROPE ANCHOR

BRANCHOR_T3X3

401338



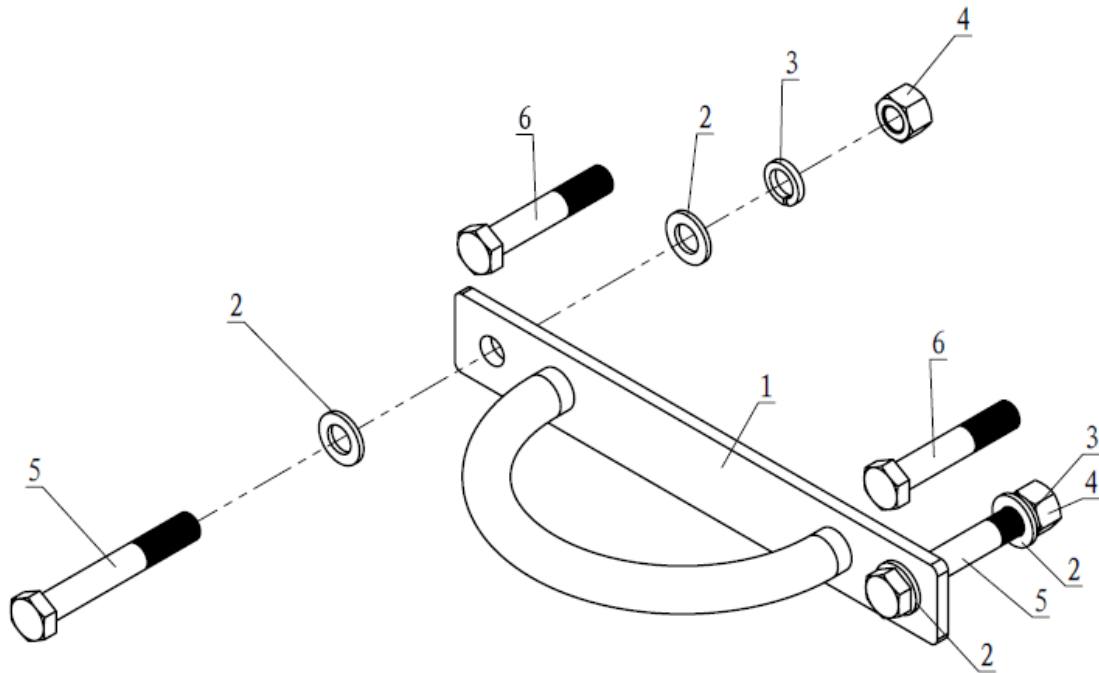
Operator's Manual



Read the Operator's Manual entirely. When you see this symbol, the subsequent instructions and warnings are serious follow without exception. Your life and the lives of others depend on it!

Cover photo may show optional equipment not supplied with standard unit. For an Operator's Manual and Decal Kit in French or Spanish Language, please see your dealer.

PARTS DIAGRAM / EXPLODED VIEW



KEY	BOX	DESCRIPTION	QTY
(1)	1	BATTLE ROPE BRACKET	1
(2)	1	FLAT WASHER $\Phi 17 * \Phi 30 * 3$	4
(3)	1	SPRING WASHER $\Phi 16$	2
(4)	1	NUT M16	2
(5)	1	HEX BOLT M16*110	2
(6)	1	HEX BOLT M16*85	2

INSTALLATION INSTRUCTIONS

1. SECURE THE ROPE ANCHOR (1) TO THE UPRIGHT OF YOUR T-3 SERIES POWER RACK:

By using M16x85 Hex Bolt (6), M17 Flat Washer (2), M16 Spring Washer (3), and M16 Hex Nut (4). The order for assembly is M16x85 (6), M16 Flat Washer (2), then push the bolt through the Rope Anchor (1) and the upright of your T-3 Series Power Rack. Add the M16 Spring Washer (3) and then thread the M16 Hex Nut (4) onto the end of the bolt. Tighten the M16 Hex Nut (4) until the M16 Spring Washer (3) is compressed. Repeat this process for the remaining side of the Rope Anchor (1).

2. SECURE THE ROPE ANCHOR (1) TO THE UPRIGHT OF YOUR X-3 SERIES POWER RACK:

By using M16x110 Hex Bolt (5), M16 Flat Washer (2), M16 Spring Washer (3), and M16 Hex Nut (4). The order for assembly is M16x110 (5), M16 Flat Washer (2), then push the bolt through the Rope Anchor (1) and the upright of your X-3 Series Power Rack. Add the M16 Spring Washer (3) and then thread the M16 Hex Nut (4) onto the end of the bolt. Tighten the M16 Hex Nut (4) until the M16 Spring Washer (3) is compressed. Repeat this process for the remaining side of the Rope Anchor (1).

ACKNOWLEDGEMENT OF RISK AND RELEASE OF LIABILITY

The use of any equipment, including this one, involves the potential risk of injury. Apart from any warranty claim that might be presented for a claimed defect in material or workmanship of the product, you accept and assume full responsibility for any and all injuries, damages (both economic and non-economic), and losses of any type, which may occur, and you fully and forever release and discharge Titan, its insurers, employees, officers, directors, associates, and agents from any and all claims, demands, damages, rights of action, or causes of action, present or future, whether the same be known or unknown, anticipated, or unanticipated, resulting from or arising out of the use of said equipment.

This equipment must be used with care by capable and competent individuals under supervision,

WARNING



Heavy object. Use lifting aids and proper lifting techniques when moving.



Choking hazard. Small parts – Please exercise caution if small children or pets are present.



Sharp objects may be involved. Use precaution and protection.

TITAN LIMITED WARRANTY: TERMS, EXCLUSIONS AND LIMITATIONS OF REMEDIES

This product comes with a one (1) year limited warranty that can be found at www.titan.fitness/warranty.html Please review the same for all details regarding the Titan Limited Warranty.

THE TITAN LIMITED WARRANTY FOUND AT WWW.TITAN.FITNESS/WARRANTY IS EXCLUSIVE AND IS IN LIEU OF ALL OTHER WARRANTIES, EXPRESS OR IMPLIED, INCLUDING ANY IMPLIED WARRANTY OF MERCHANTABILITY AND/OR FITNESS FOR A PARTICULAR PURPOSE, EACH OF WHICH IS HEREBY DISCLAIMED.



NEED HELP? CONTACT US FIRST.

1-888-410-1503

info@titan.fitness

www.titan.fitness

© 2021 Titan Brands