



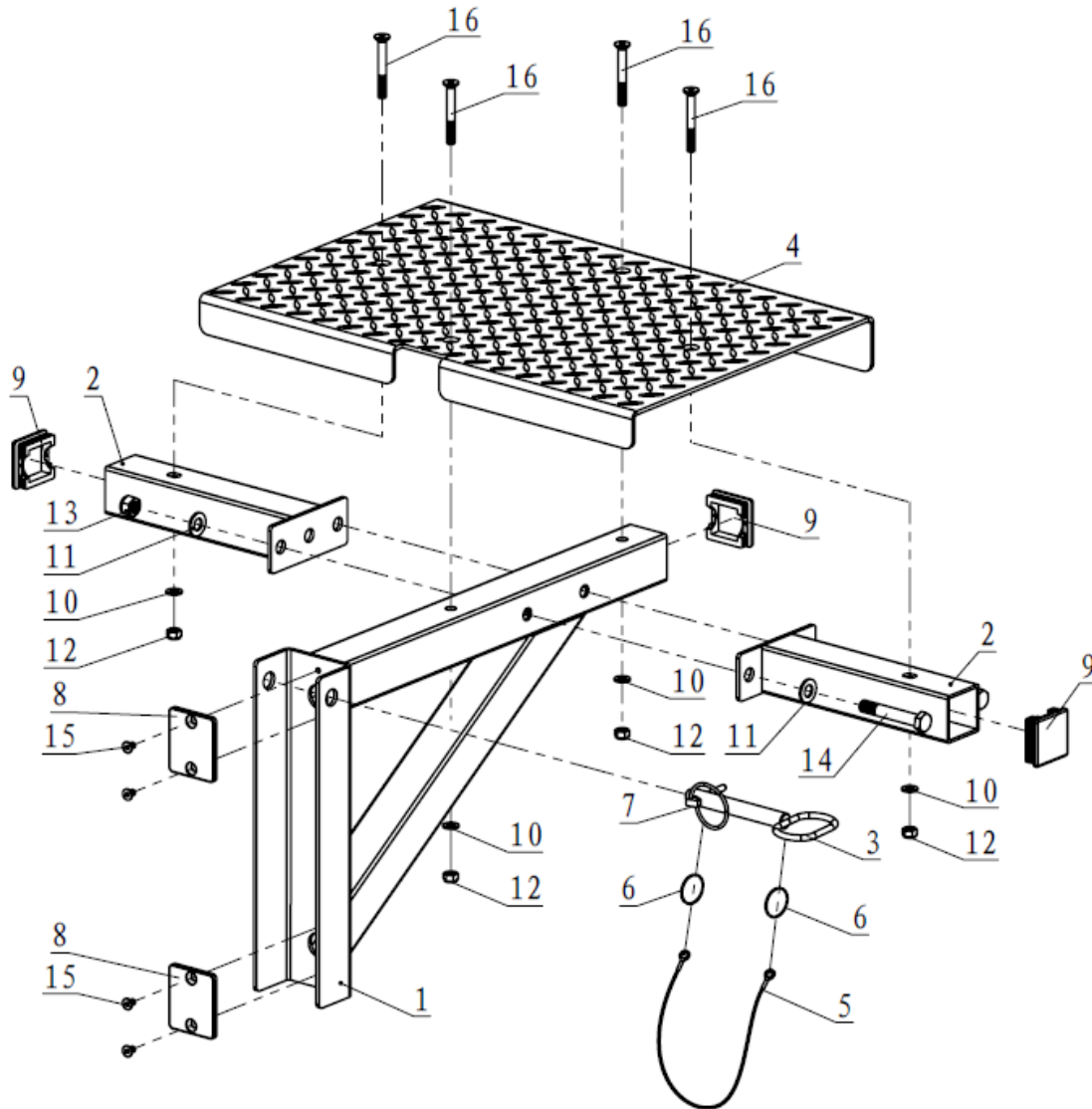
OWNER'S MANUAL

MPN(s): RCKSTP_T3

SKU(s): 401353

UPC(s): 840009215315

PARTS DIAGRAM / EXPLODED VIEW



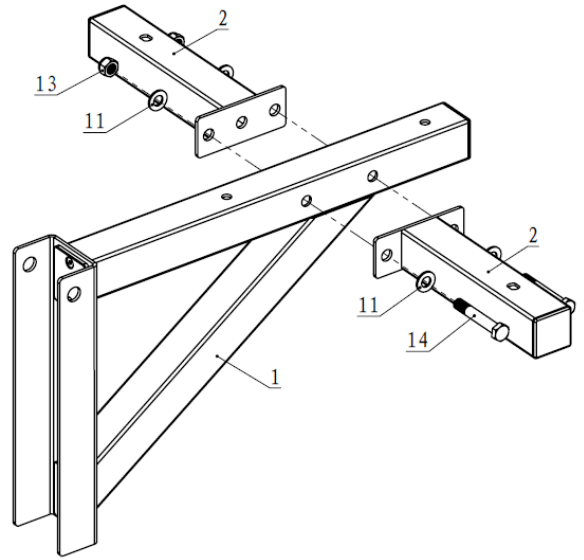
KEY	BOX	DESCRIPTION	QTY	KEY	BOX	DESCRIPTION	QT
(1)	1	Main Frame	1	(9)	1	End Cap 50*50*3	3
(2)	1	Side Support Frame	2	(10)	1	Flat Washer $\Phi 9 * \Phi 16 * .1.6$	4
(3)	1	Pin	1	(11)	1	Flat Washer $\Phi 13.5 * \Phi 24 * 2.5$	4
(4)	1	Pedal	1	(12)	1	Nut M8	4
(5)	1	Wire Rope 1 $\Phi 5.5 * \Phi 1.6 * 330$	1	(13)	1	Nut M12	2
(6)	1	Pull Ring $\Phi 1.5 * 31$	2	(14)	1	Hex Bolt M12*75	2
(7)	1	Small Pin $\Phi 6 * 45$	1	(15)	1	Countersunk Head Screw M6*10	4
(8)	1	Plastic Plate 68*58*5	2	(16)	1	Countersunk Head Screw M8*65	4



ASSEMBLY INSTRUCTIONS

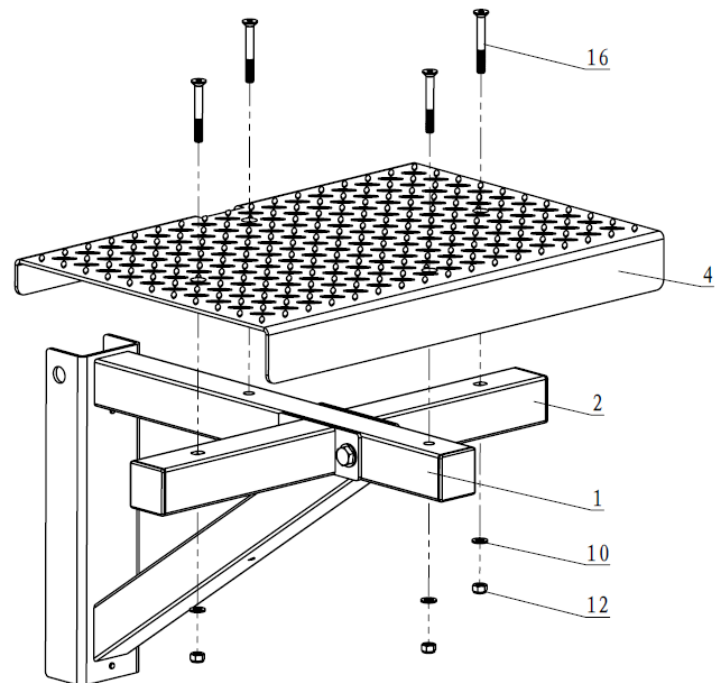
STEP 1

Connect the Side Support Frame (2) and Main Frame (1), using Hex Bolt M12*75 (14), Flat Washer $\Phi 13.5*\Phi 24*2.5$ (11) and Nut M12 (13).



STEP 2

Install the Pedal (4) on Main Frame (1) and Side Support Frame (2), using Flat Washer $\Phi 9*\Phi 16*1.6$ (10), Nut M8 (12) and Countersunk Head Screw M8*65(16).



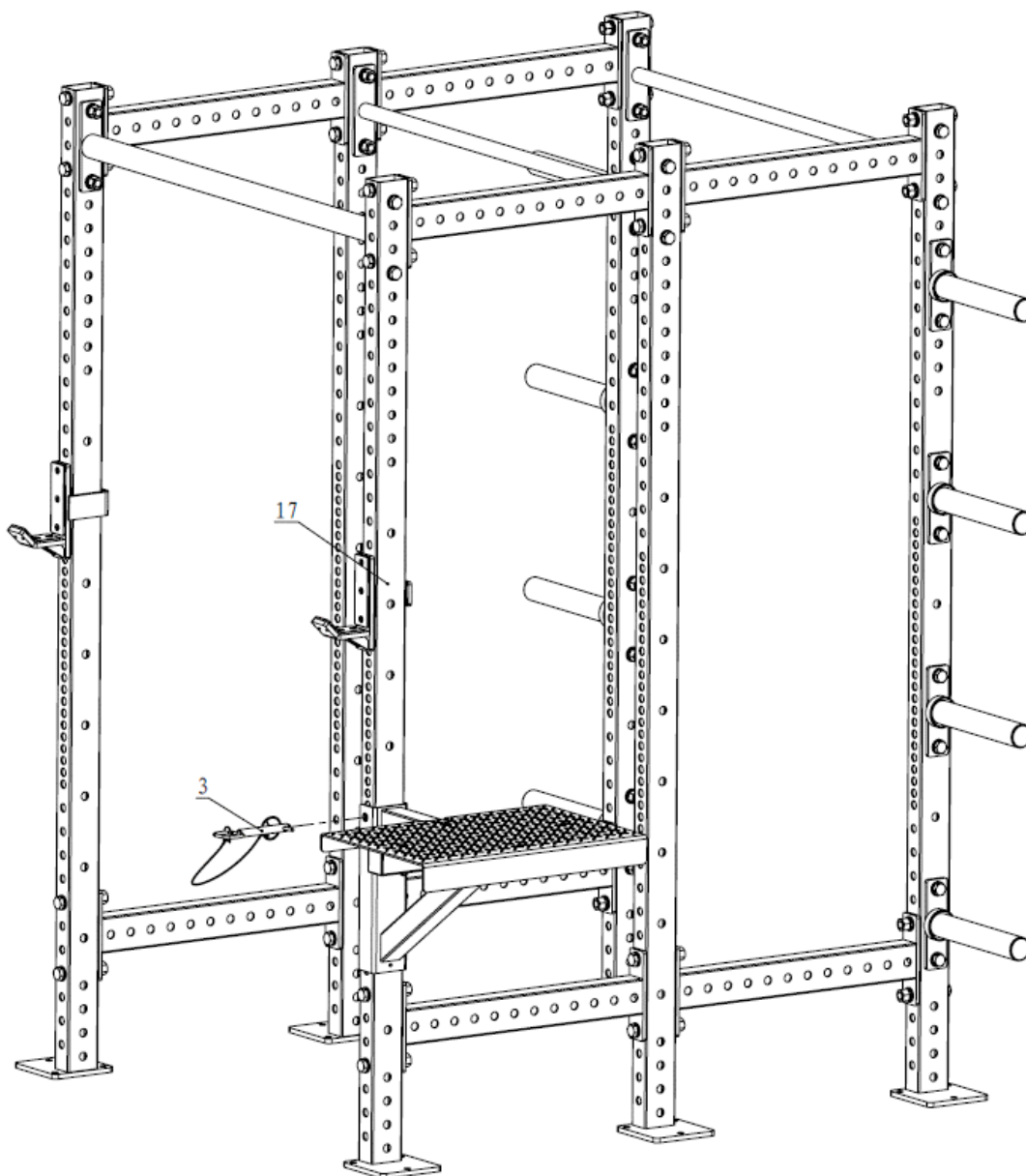
NOTE: For an easier view, we found mounting the bracket to the upright, then adding the platform to be easier.

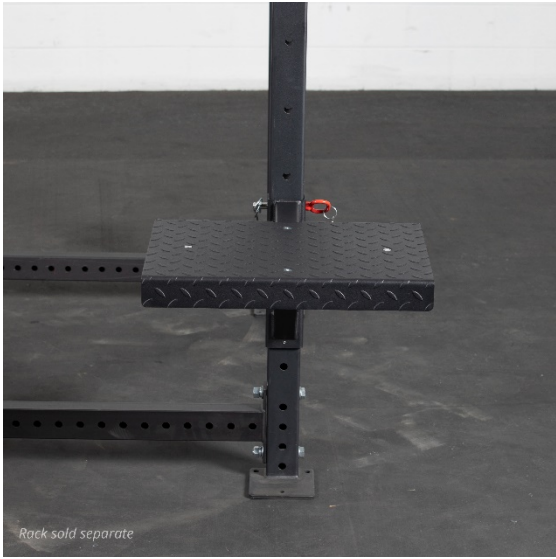


ASSEMBLY INSTRUCTIONS

STEP 3

Install the Step-up Platform on Power Rack properly, fixing by Pin Combination (3).





*This concludes the RCKSTP T3 Owner's Manual.
If applicable to your product, make sure to tighten
all nut-and-bolt combinations before use.*

Enjoy!

DISCLAIMER

This equipment must be used with care by capable and competent individuals under supervision, if necessary.

The use of any fitness equipment, including this one, involves the potential risk of injury. You accept and assume full responsibility for any and all injuries, damages (both economic and non-economic), and losses of any type, which may occur, and you fully and forever release and discharge Titan, its insurers, employees, officers, directors, associates, and agents from any and all claims, demands, damages, rights of action, or causes of action, present or future, whether the same be known or unknown, anticipated, or unanticipated, resulting from or arising out of the use of said equipment.

TITAN MAKES NO WARRANTY WHATSOEVER WITH RESPECT TO THE EQUIPMENT, INCLUDING ANY WARRANTY OF MERCHANTABILITY OR WARRANTY OF FITNESS FOR A PARTICULAR PURPOSE, WHETHER EXPRESS OR IMPLIED BY LAW, COURSE OF DEALING, COURSE OF PERFORMANCE, USAGE OF TRADE OR OTHERWISE. BUYER ASSUMES ALL LIABILITY IN USE OF THE EQUIPMENT.

NEED HELP?

CONTACT US FIRST.

1 (800) 605-8241

info@titandistributorsinc.com / www.titan.fitness



Business Hours: Monday–Friday • 8:00 a.m.–5:00 p.m. (CT)

