

PORTABLE PLATE/BARBELL TREE

PBTREEv4

401373

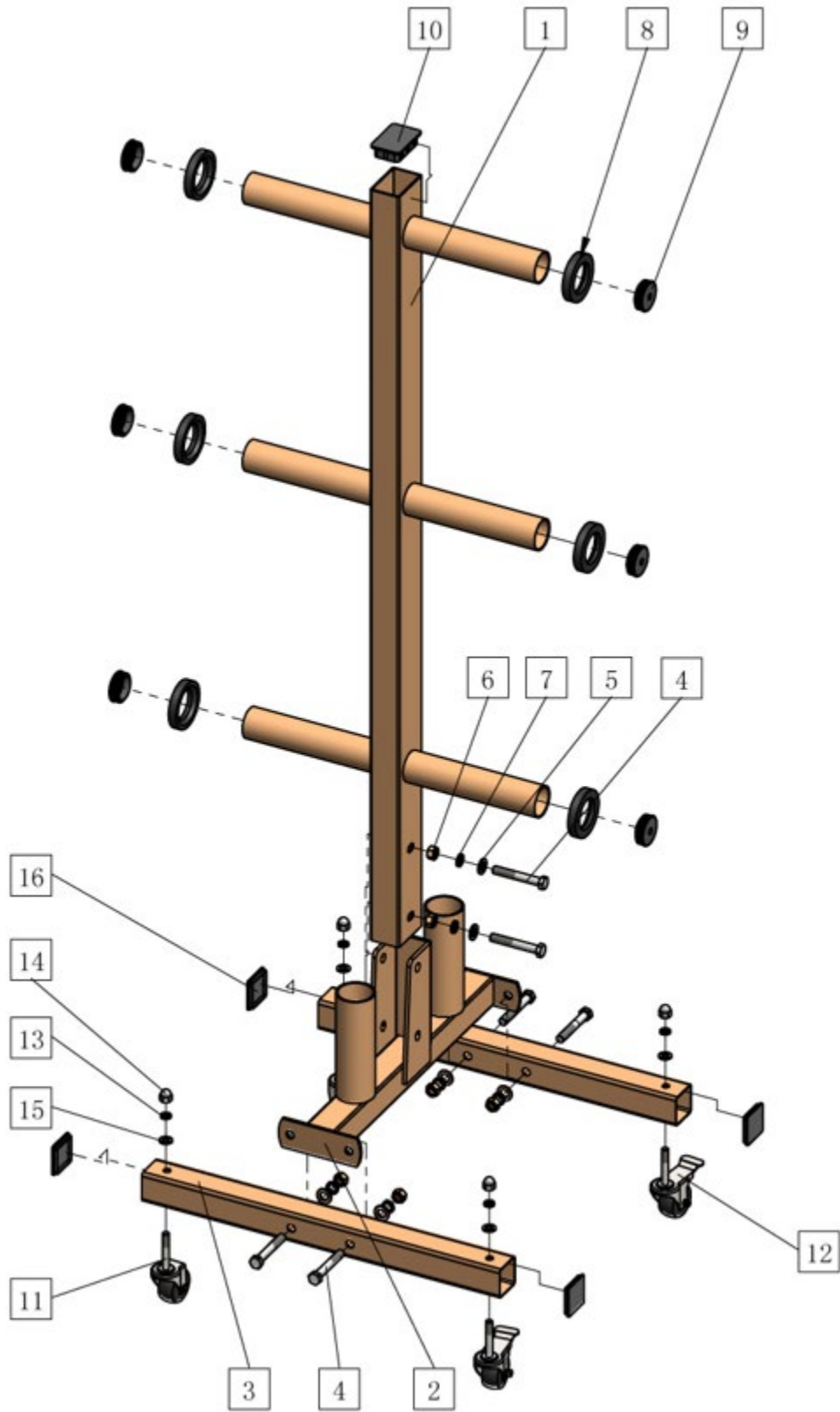


Operator's Manual

Read the Operator's Manual entirely. When you see this symbol, the subsequent instructions and warnings are serious follow without exception. Your life and the lives of others depend on it!

Cover photo may show optional equipment not supplied with standard unit. For an Operator's Manual and Decal Kit in French or Spanish Language, please see your dealer.

PARTS DIAGRAM / EXPLODED VIEW

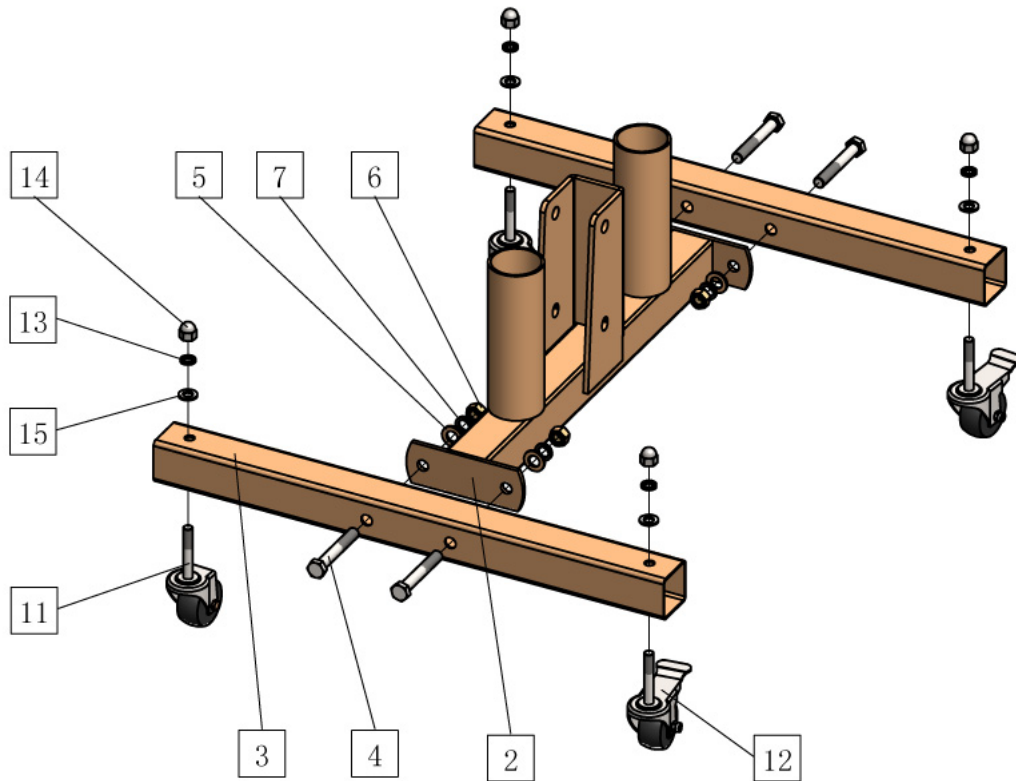


PARTS DIAGRAM / EXPLODED VIEW

KEY	DESCRIPTION	QTY
(1)	UPRIGHT POST	1
(2)	UPRIGHT POST BASE BRACKET	1
(3)	BASE TUBE	2
(4)	HEX BOLT M12X80	6
(5)	FLAT WASHER 12	6
(6)	HEX NUT M12	6
(7)	SPRING WASHER 12	6
(8)	WEIGHT TUBE PLASTIC LINING	6
(9)	WEIGHT TUBE END CAP	6
(10)	UPRIGHT POST END CAP	1
(11)	2.5" SWIVEL CASTOR WHEEL	2
(12)	2.5" SWIVEL CASTOR WHEEL W/LOCK	2
(13)	SPRING WASHER 10	4
(14)	CAP NUT M10	4
(15)	FLAT WASHER 10	4
(16)	BASE TUBE END CAP	4

ASSEMBLY INSTRUCTIONS

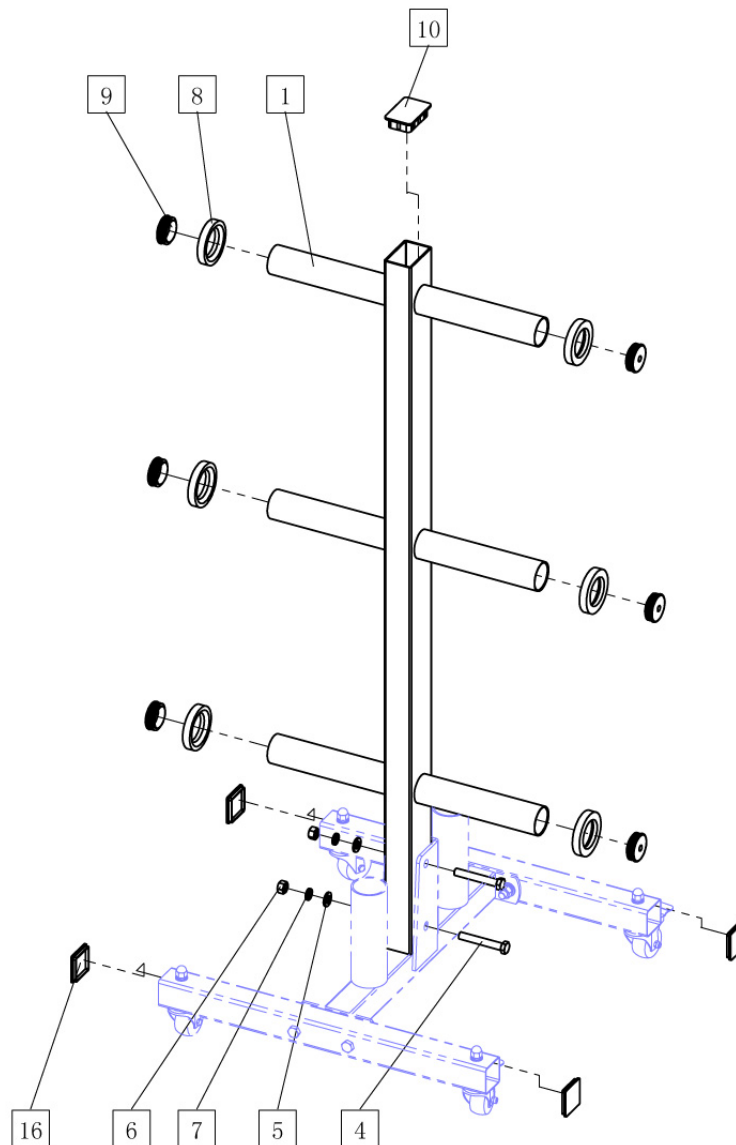
STEP 1: SETTING UP THE BASE



1. Attach **UPRIGHT POST BRACKET (2)** to the 2 sides of the **BASE TUBE (3)**, using **HEX BOLT M12X80 (4)**, **FLAT WASHER 12 (5)**, **SPRING WASHER 12 (7)** AND **HEX NUT M12 (6)**. The order of assembly is to insert **HEX BOLT M12X80 (4)** through these parts, and then place **FLAT WASHER 12 (5)**, **SPRING WASHER 12 (7)** and **HEX NUT M12 (6)** onto the end of the bolt.
FASTEN THE HARDWARE AND TIGHTEN.
2. Attach two **2.5" SWIVEL CASTOR WHEELS W/LOCK (12)** on one side of the **BASE TUBES (3)**, using **FLAT WASHER 10 (15)**, **SPRING WASHER 10 (13)** and **CAP NUT M10 (14)**. The order of assembly is to insert the **2.5" SWIVEL CASTOR WHEELS W/LOCK (12)** through the **BASE TUBES (3)**, and then place **FLAT WASHER 10 (15)**, **SPRING WASHER 10 (13)**, and **CAP NUT M10 (14)** onto the end of the bolt.
FASTEN AND TIGHTEN THE HARDWARE.
3. Attach two **2.5" SWIVEL CASTOR WHEELS (11)** on the other side of the **BASE TUBES (3)**, USING **FLAT WASHER 10 (15)**, **SPRING WASHER 10 (13)**, and **CAP NUT M10 (14)**. The order of assembly is to insert the **2.5" SWIVEL CASTOR WHEELS (12)** through the **BASE TUBES (3)**, and then place **FLAT WASHER 10 (15)**, **SPRING WASHER 10 (13)** and **CAP NUT M10 (14)** onto the end of the bolt.
FASTEN AND TIGHTEN THE HARDWARE.

ASSEMBLY INSTRUCTIONS

STEP 2: SETTING UP THE UPRIGHT POST



1. Attach **UPRIGHT POST (1)** to the mounting bracket of **UPRIGHT POST BRACKET (2)** using **HEX BOLT M12X80 (4)**, **FLAT WASHER 12 (5)**, **SPRING WASHER 12 (7)** and **HEX NUT N12 (6)**. The order of assembly is to insert **HEX BOLT M12X80 (4)** through these parts, and then place **FLAT WASHER 12 (5)**, **SPRING WASHER 12 (7)**, and **HEX NUT M12 (6)** onto the end of the bolt.
FASTEN THE HARDWARE AND TIGHTEN.
2. Insert all the **PLASTIC CAPS** and linings onto the **UPRIGHT POST BRACKET (2)** including **UPRIGHT POST END CAP (10)** on the top of upright post, **WEIGHT TUBE PLASTIC LINING (8)** onto each side of the weight holder tubes, **WEIGHT TUBE END CAP (9)** on each of the weight holder tube. Finally, **INSERT BASE TUBE END CAP** onto each end of the **BASE TUBE (3)**.

ACKNOWLEDGEMENT OF RISK AND RELEASE OF LIABILITY

The use of any equipment, including this one, involves the potential risk of injury. Apart from any warranty claim that might be presented for a claimed defect in material or workmanship of the product, you accept and assume full responsibility for any and all injuries, damages (both economic and non-economic), and losses of any type, which may occur, and you fully and forever release and discharge Titan, its insurers, employees, officers, directors, associates, and agents from any and all claims, demands, damages, rights of action, or causes of action, present or future, whether the same be known or unknown, anticipated, or unanticipated, resulting from or arising out of the use of said equipment.

This equipment must be used with care by capable and competent individuals under supervision,

WARNING



Heavy object. Use lifting aids and proper lifting techniques when moving.



Choking hazard. Small parts – Please exercise caution if small children or pets are present.



Sharp objects may be involved. Use precaution and protection.

TITAN LIMITED WARRANTY: TERMS, EXCLUSIONS AND LIMITATIONS OF REMEDIES

This product comes with a one (1) year limited warranty that can be found at www.titan.fitness/warranty.html Please review the same for all details regarding the Titan Limited Warranty.

THE TITAN LIMITED WARRANTY FOUND AT WWW.TITAN.FITNESS/WARRANTY IS EXCLUSIVE AND IS IN LIEU OF ALL OTHER WARRANTIES, EXPRESS OR IMPLIED, INCLUDING ANY IMPLIED WARRANTY OF MERCHANTABILITY AND/OR FITNESS FOR A PARTICULAR PURPOSE, EACH OF WHICH IS HEREBY DISCLAIMED.



NEED HELP? CONTACT US FIRST.

1-888-410-1503

info@titan.fitness

www.titan.fitness

© 2021 Titan Brands