

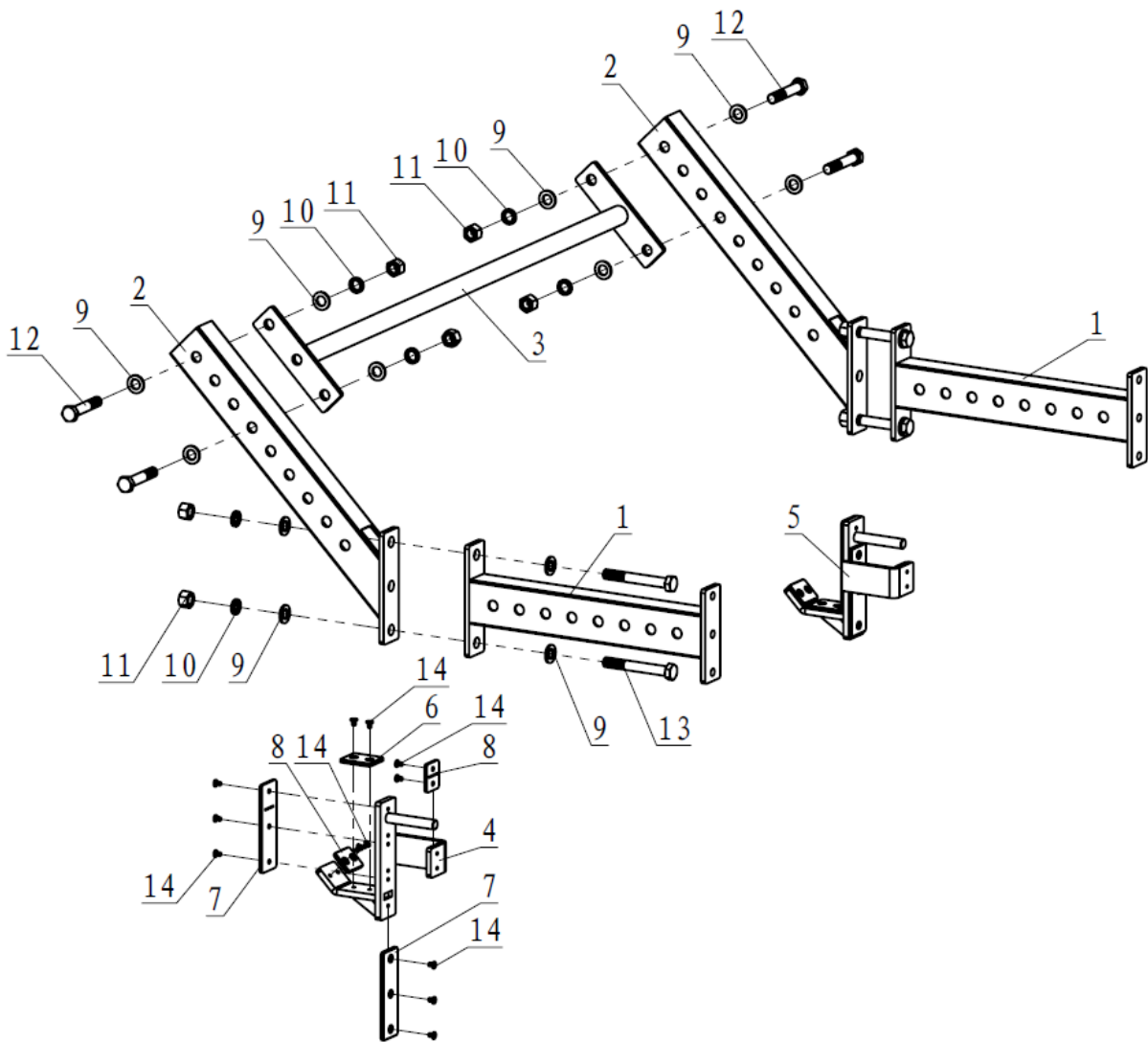
## OWNER'S MANUAL

---

SPACE SAVINGS POWER RACK FOR 12", 18", AND 24" DEPTHS

MPN(s): SSRT3SHUP-SSRT3

# PARTS DIAGRAM / EXPLODED VIEW



KEY	BOX	DESCRIPTION	QTY	KEY	BOX	DESCRIPTION	QTY
(1)	1	Connecting Frame	2	(8)	1	Front Plastic Plate	4
(2)	1	Diagonal Brace	2	(9)	1	Flat Washer $\Phi 17 * \Phi 30 * 3$	16
(3)	1	Pull Up Bar	1	(10)	1	Spring Washer $\Phi 16$	8
(4)	1	Left J-Hook	1	(11)	1	Nut M16	8
(5)	1	Right J-Hook	1	(12)	1	Hex Bolt M16*85	4
(6)	1	Short Plastic Plate	2	(13)	1	Hex Bolt M16*120	4
(7)	1	Long Plastic Plate	4	(14)	1	Hex Bolt M6*10	24

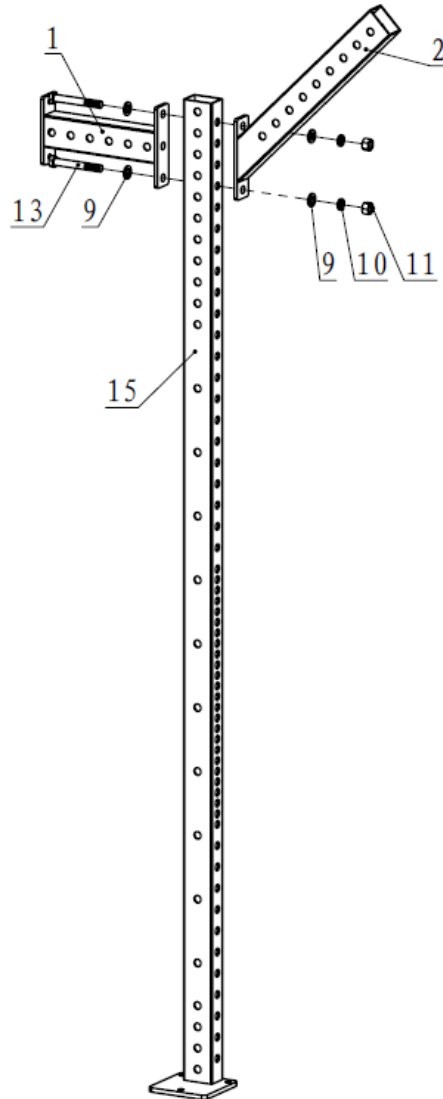


# ASSEMBLY INSTRUCTIONS

---

## Step 1

Assemble the Connecting Frame (1) , Diagonal Brace (2) and Upright Frame (15) using Flat Washer  $\Phi 17*\Phi 30*3$  (9) , Spring Washer  $\Phi 16$  (10) Nut M16 (11) and Hex Bolt M16\*120 (13).



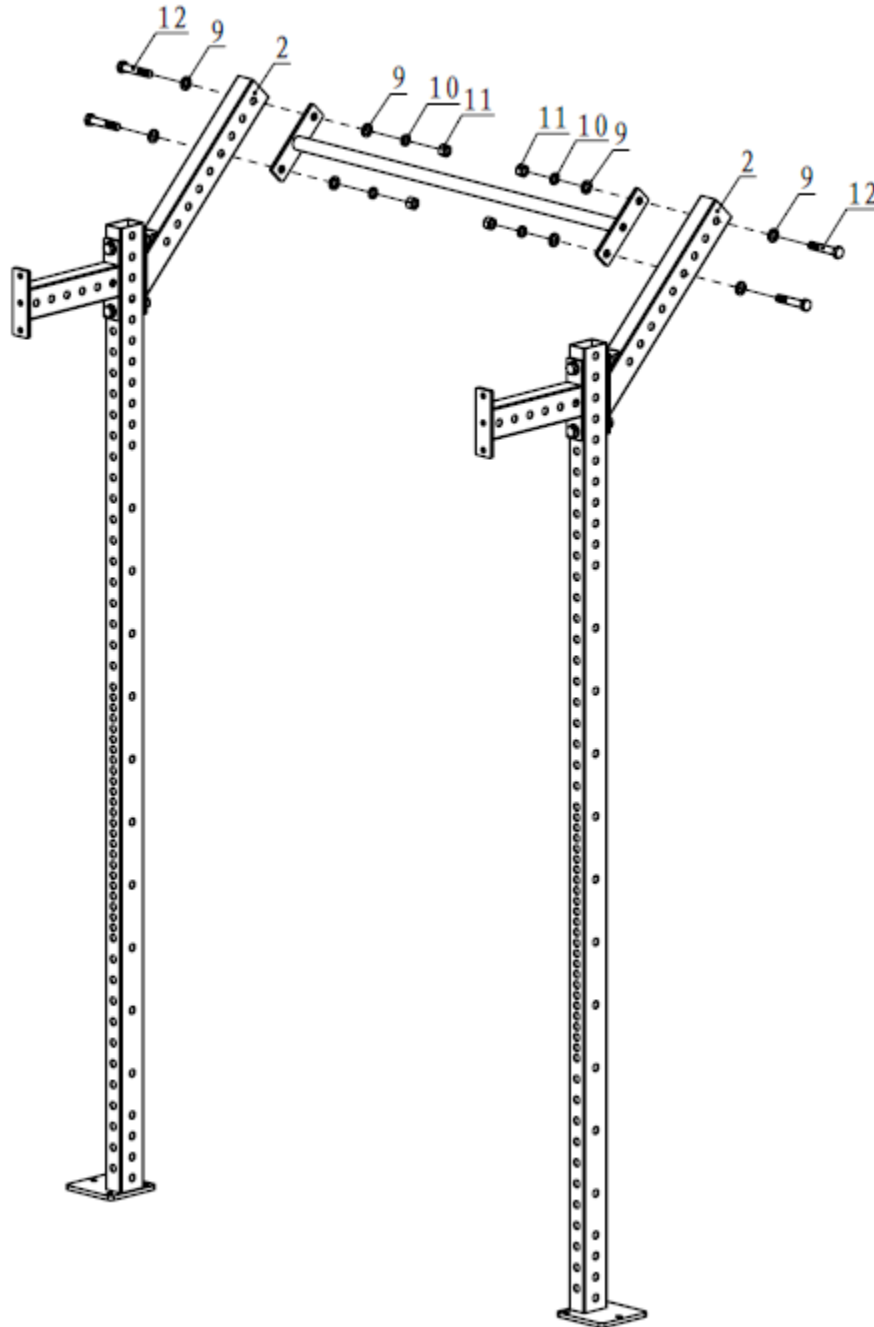
# ASSEMBLY INSTRUCTIONS

---

## Step 2

Connect Pull Up Bar (3) and Diagonal Brace (2), using Flat Washer  $\Phi 17 * \Phi 30 * 3$  (9), Spring Washer  $\Phi 16$  (10) Nut M16 (11) and Hex Bolt M16\*85 (12).

Please tighten all the bolts.

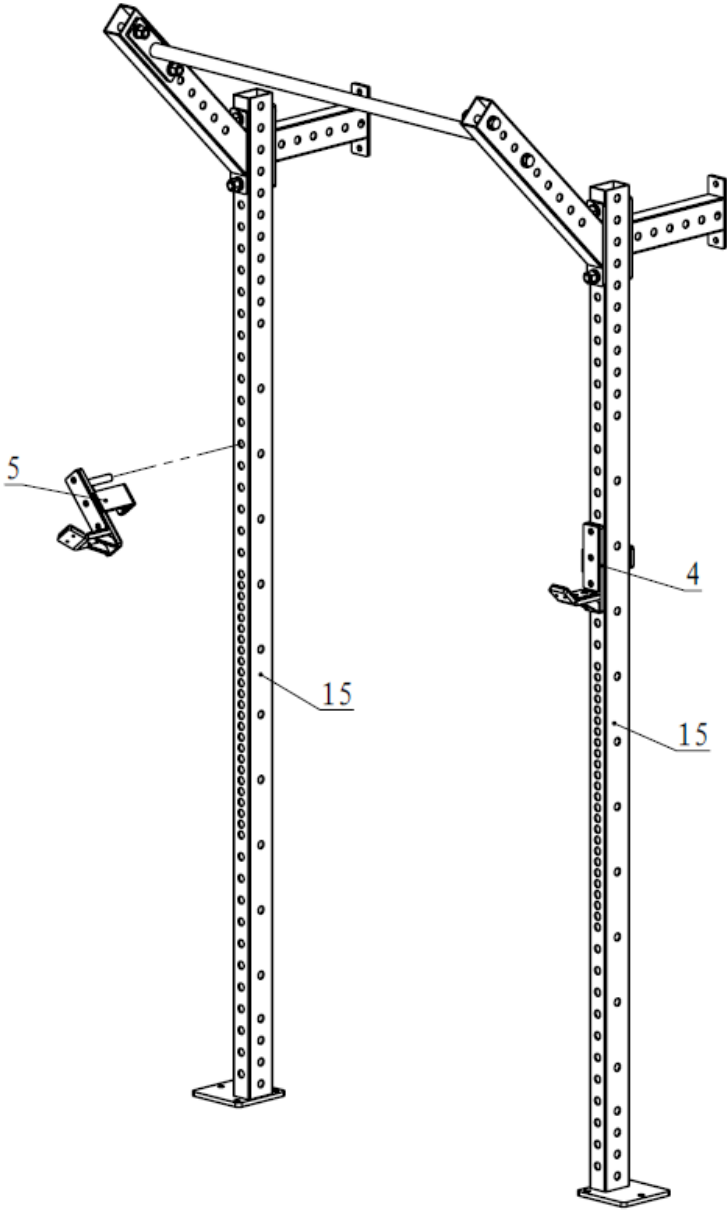


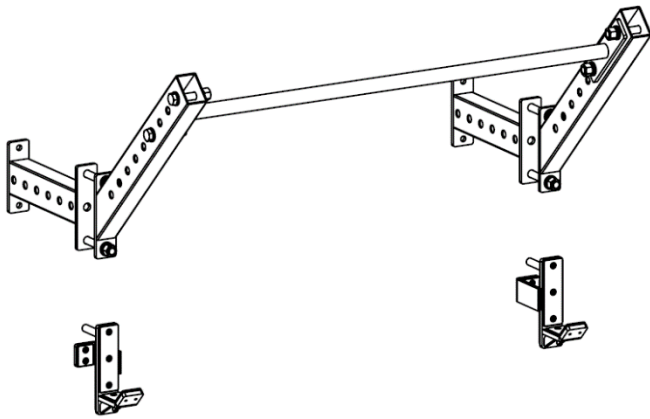
# ASSEMBLY INSTRUCTIONS

---

## Step 3

Install J-HOOK (4&5) on the Upright Frame (15).





*This concludes the \_\_\_\_\_ Owner's Manual.*

*If applicable to your product, make sure to tighten all nut-and-bolt combinations before use.*

*Enjoy!*

### **DISCLAIMER**

This equipment must be used with care by capable and competent individuals under supervision, if necessary.

The use of any fitness equipment, including this one, involves the potential risk of injury. You accept and assume full responsibility for any and all injuries, damages (both economic and non-economic), and losses of any type, which may occur, and you fully and forever release and discharge Titan, its insurers, employees, officers, directors, associates, and agents from any and all claims, demands, damages, rights of action, or causes of action, present or future, whether the same be known or unknown, anticipated, or unanticipated, resulting from or arising out of the use of said equipment.

TITAN MAKES NO WARRANTY WHATSOEVER WITH RESPECT TO THE EQUIPMENT, INCLUDING ANY WARRANTY OF MERCHANTABILITY OR WARRANTY OF FITNESS FOR A PARTICULAR PURPOSE, WHETHER EXPRESS OR IMPLIED BY LAW, COURSE OF DEALING, COURSE OF PERFORMANCE, USAGE OF TRADE OR OTHERWISE. BUYER ASSUMES ALL LIABILITY IN USE OF THE EQUIPMENT.

**NEED HELP?**

**CONTACT US FIRST.**

**1 (800) 605-8241**

[info@titandistributorsinc.com](mailto:info@titandistributorsinc.com) / [www.titan.fitness](http://www.titan.fitness)

**Business Hours: Monday–Friday • 8:00 a.m.–5:00 p.m. (CT)**

