



TITAN

FITNESS

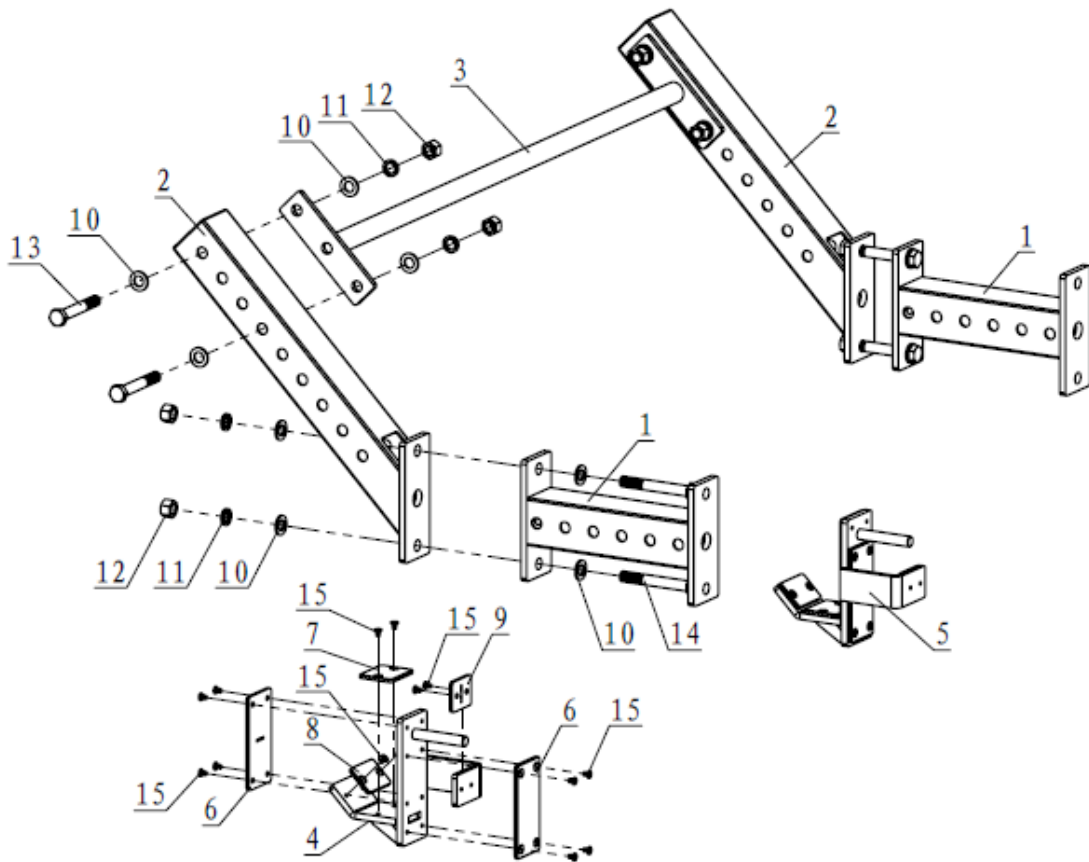


OWNER'S MANUAL

MPN(s): X3BDUP80-X3SSR12, X3BDUP80-X3SSR28, X3BDUP80-X3SSR24, X3BDUP90-X3SSR12, X3BDUP90-X3SSR28, X3BDUP90-X3SSR24, X3BDUP80 - X3SSR12 - X3SSRSB12, X3BDUP80 - X3SSR18 - X3SSRSB18, X3BDUP80 - X3SSR24 - X3SSRSB24, X3BDUP90 - X3SSR12 - X3SSRSB12, X3BDUP90 - X3SSR18 - X3SSRSB18, X3BDUP90 - X3SSR24 - X3SSRSB24

SKU(s): 400279, 400280, 400281, 400276, 400277, 400278, 401397, 401398, 401399, 401400, 401401, 401402

PARTS DIAGRAM / EXPLODED VIEW



NOTE: AVAILABLE IN 12, 18, and 24-INCH DEPTHS

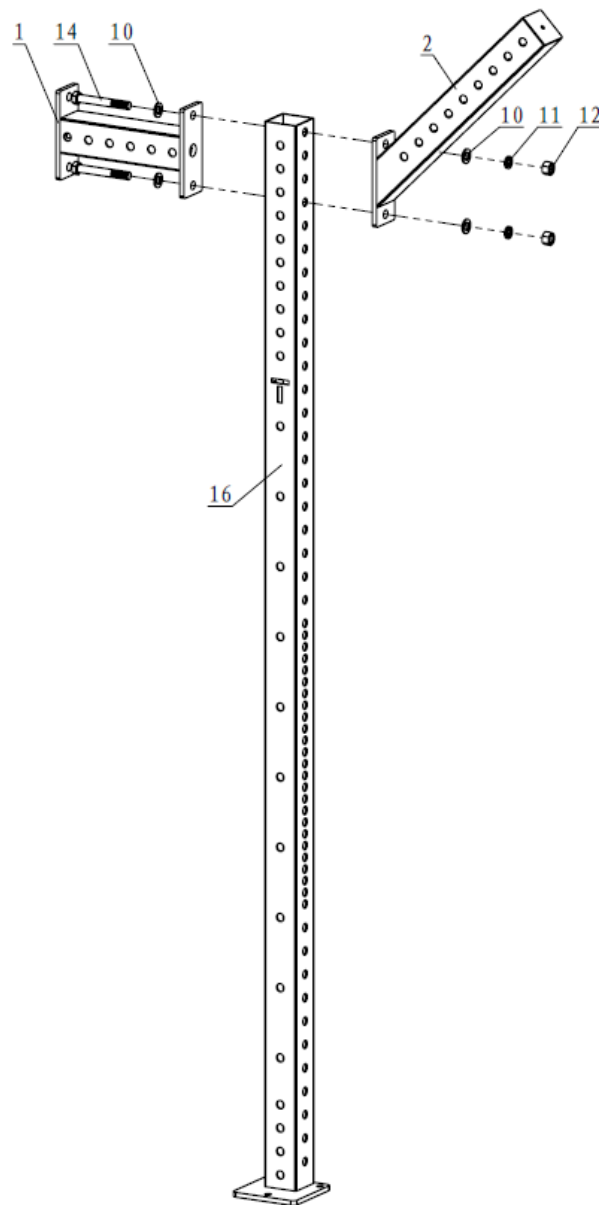
KEY	BOX	DESCRIPTION	QTY	KEY	BOX	DESCRIPTION	QTY
(1)	1	Connecting Frame	2	(9)	1	Short Plastic Plate 58*48*5	2
(2)	1	Diagonal Brace	2	(10)	1	Flat Washer $\Phi 17 * \Phi 30 * 3$	16
(3)	1	Pull Up Bar	1	(11)	1	Spring Washer $\Phi 16$	8
(4)	1	Left J-Hook	1	(12)	1	Nut M16	8
(5)	1	Right J-Hook	1	(13)	1	Hex Bolt M16*110	4
(6)	1	Long Plastic Plate 148*68*5	4	(14)	1	Hex Bolt M16*120	4
(7)	1	Plastic Plate 68*58*5	2	(15)	1	Countersunk head screw M6*10	28
(8)	1	Front Plastic Plate 68*48*5	2				



ASSEMBLY INSTRUCTIONS

STEP 1

Assemble the Connecting Frame (1), Diagonal Brace (2) and Upright Frame (16) using Flat Washer $\Phi 17*\Phi 30*3$ (10), Spring Washer $\Phi 16$ (11) Nut M16 (12) and Hex Bolt M16*120 (14).

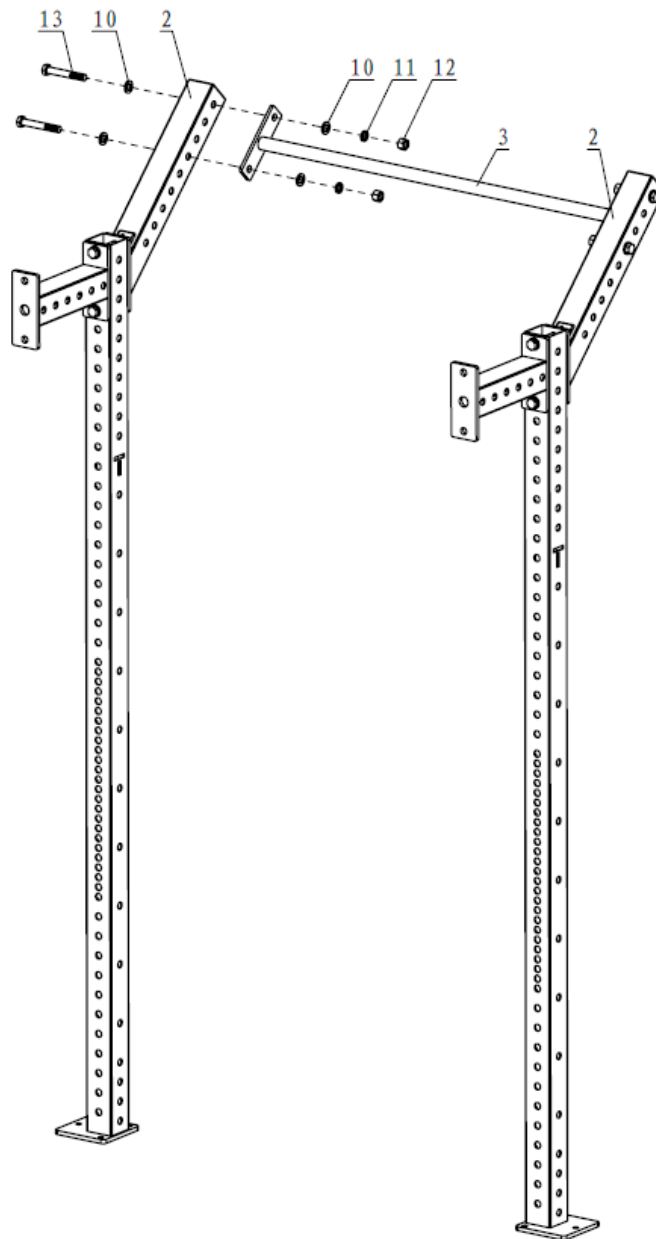


ASSEMBLY INSTRUCTIONS

STEP 2

Connect Pull Up Bar (3) and Diagonal Brace (2), using Flat Washer $\Phi 17*\Phi 30*3$ (10), Spring Washer $\Phi 16$ (11), Nut M16 (12) and Hex Bolt M16*110 (13).

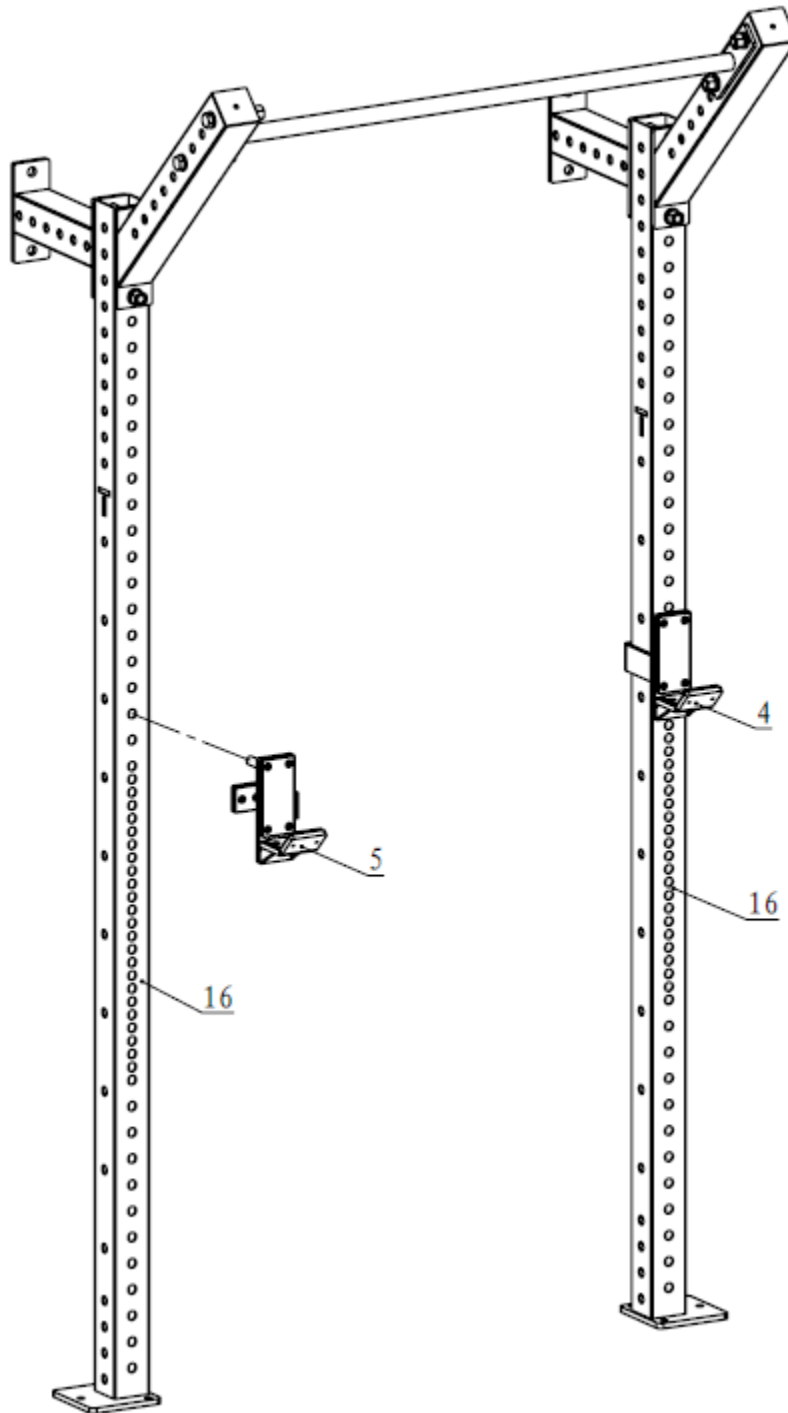
PLEASE TIGHTEN ALL THE BOLTS.



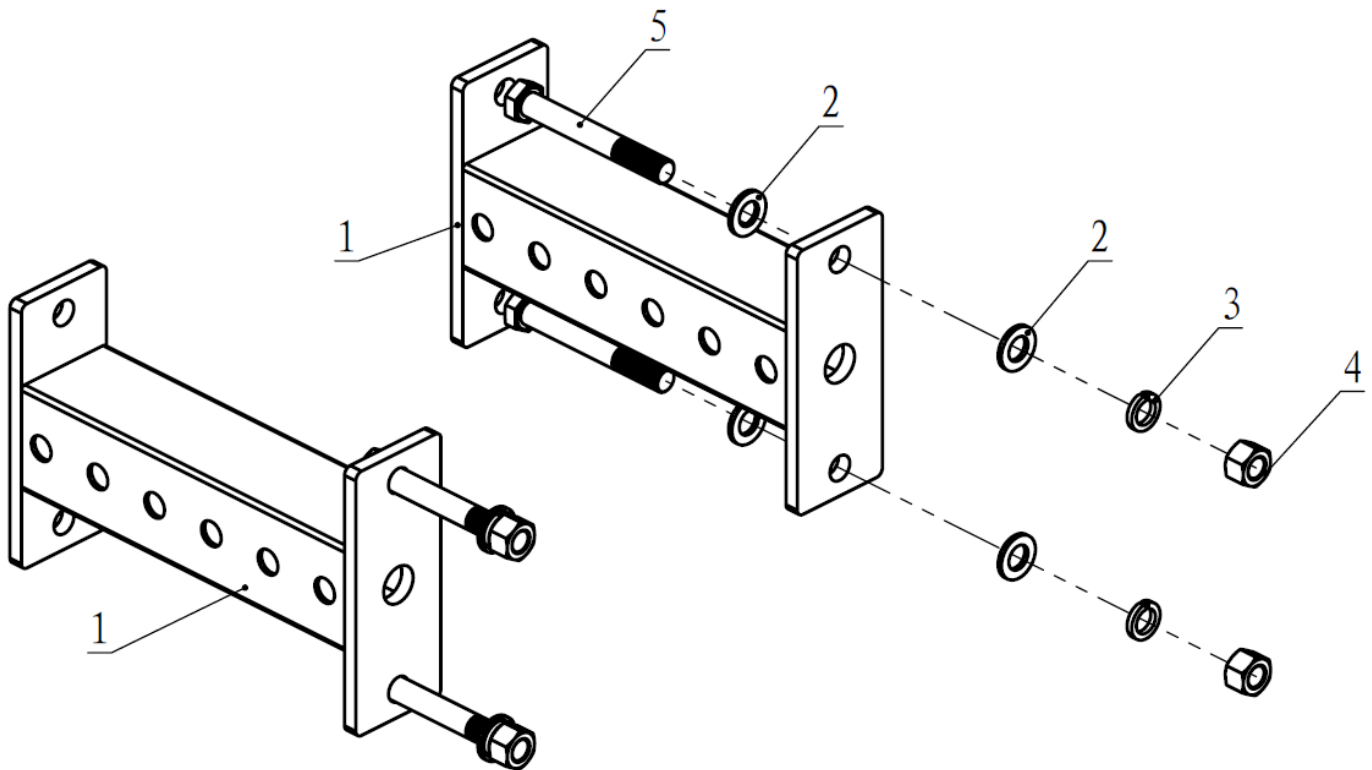
ASSEMBLY INSTRUCTIONS

STEP 3

Install the Left & Right J-HOOK (4 & 5) on Upright Frame (16).



X3SSRSB PARTS DIAGRAM VIEW



SHOWN WITH THE 12" DEPTH

NOTE: BOTTOM SIDE BRACES AVAILABLE IN 12, 18, and 24-INCH DEPTHS

KEY	BOX	DESCRIPTION	QTY
(1)	1	Connecting Frames	2
(2)	1	Flat Washer $\Phi 17 * \Phi 30 * 3$	8
(3)	1	Spring Washer $\Phi 16$	4
(4)	1	Nut M16	4
(5)	1	Hex Bolt M16*120	4

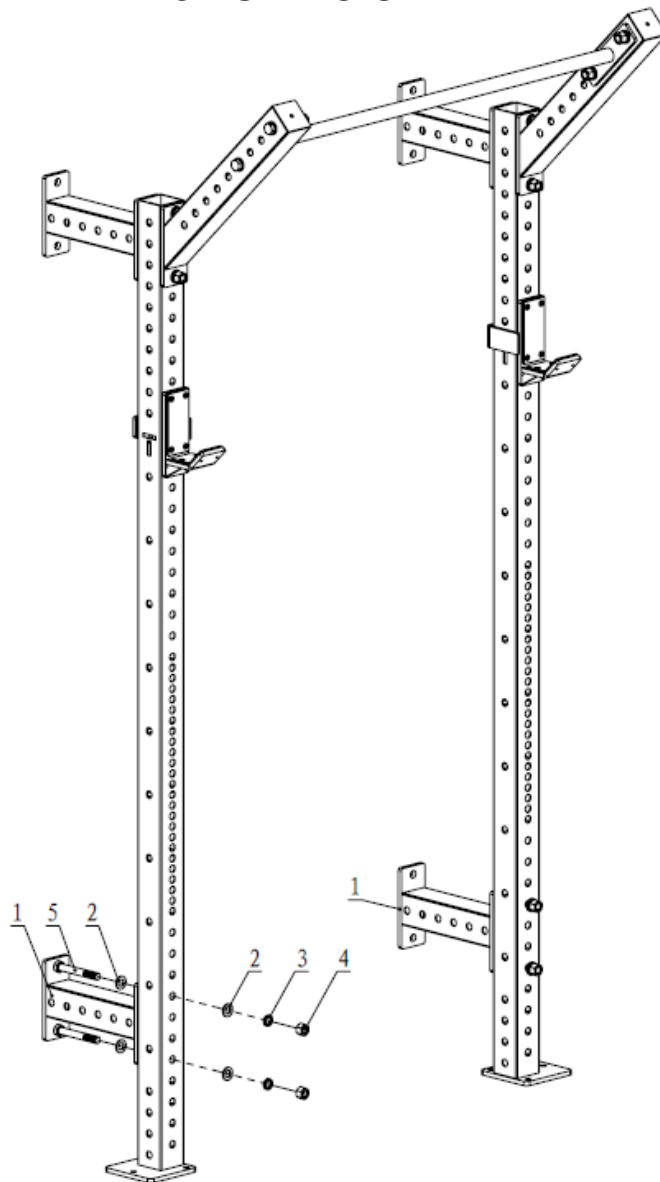


ASSEMBLY INSTRUCTIONS

STEP 1

Install the 12", 18", or 24" Connecting Frame (1) on the Upright Frame (16). Use the Flat Washer $\Phi 17 \times \Phi 30 \times 3$ (2), Spring Washer $\Phi 16$ (3), Nut M16 (4) and Hex Bolt M16*120 (5).

NOTE: MOUNTING HARDWARE IS NOT INCLUDED.



SHOWN WITH THE 12" TOP AND BOTTOM SIDE BRACINGS





This concludes the X3SPACESAVINGS

Owner's Manual.

*If applicable to your product, make sure to tighten
all nut-and-bolt combinations before use.*

Enjoy!

DISCLAIMER

This equipment must be used with care by capable and competent individuals under supervision, if necessary.

The use of any fitness equipment, including this one, involves the potential risk of injury. You accept and assume full responsibility for any and all injuries, damages (both economic and non-economic), and losses of any type, which may occur, and you fully and forever release and discharge Titan, its insurers, employees, officers, directors, associates, and agents from any and all claims, demands, damages, rights of action, or causes of action, present or future, whether the same be known or unknown, anticipated, or unanticipated, resulting from or arising out of the use of said equipment.

TITAN MAKES NO WARRANTY WHATSOEVER WITH RESPECT TO THE EQUIPMENT, INCLUDING ANY WARRANTY OF MERCHANTABILITY OR WARRANTY OF FITNESS FOR A PARTICULAR PURPOSE, WHETHER EXPRESS OR IMPLIED BY LAW, COURSE OF DEALING, COURSE OF PERFORMANCE, USAGE OF TRADE OR OTHERWISE. BUYER ASSUMES ALL LIABILITY IN USE OF THE EQUIPMENT.

NEED HELP?

CONTACT US FIRST.

1 (800) 605-8241

info@titandistributorsinc.com / www.titan.fitness

Business Hours: Monday–Friday • 8:00 a.m.–5:00 p.m. (CT)

