



TITAN
FITNESS



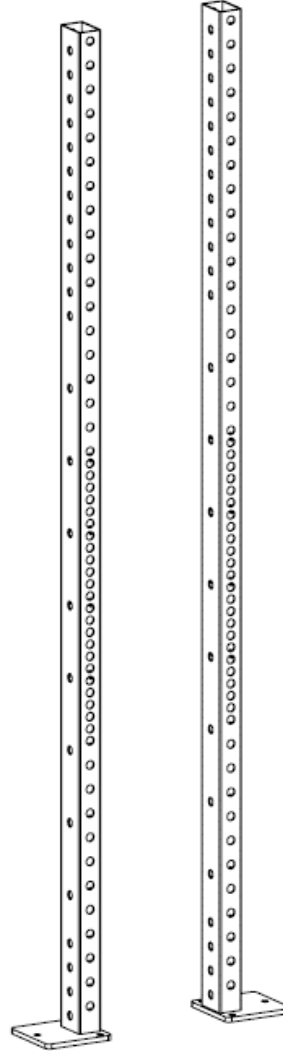
OWNER'S MANUAL

MPN(s): (2)T3UP82-T3SB24, (2)T3UP82-T3SB36, (2)T3UP91-T3SB24, (2)T3UP91-T3SB36, (2)T3UP82-T3SB24-FWHOLD, (2)T3UP82-T3SB36-FWHOLD, (2)T3UP91-T3SB24-FWHOLD, (2)T3UP91-T3SB36-FWHOLD

SKU(s): 401280, 401281, 401245, 401246, 401412, 401413, 401414, 401415

UPC(s): 840009216633, 840009216640, 840009216619, 840009216626, 840009217142, 840009217159, 840009217166, 840009217173

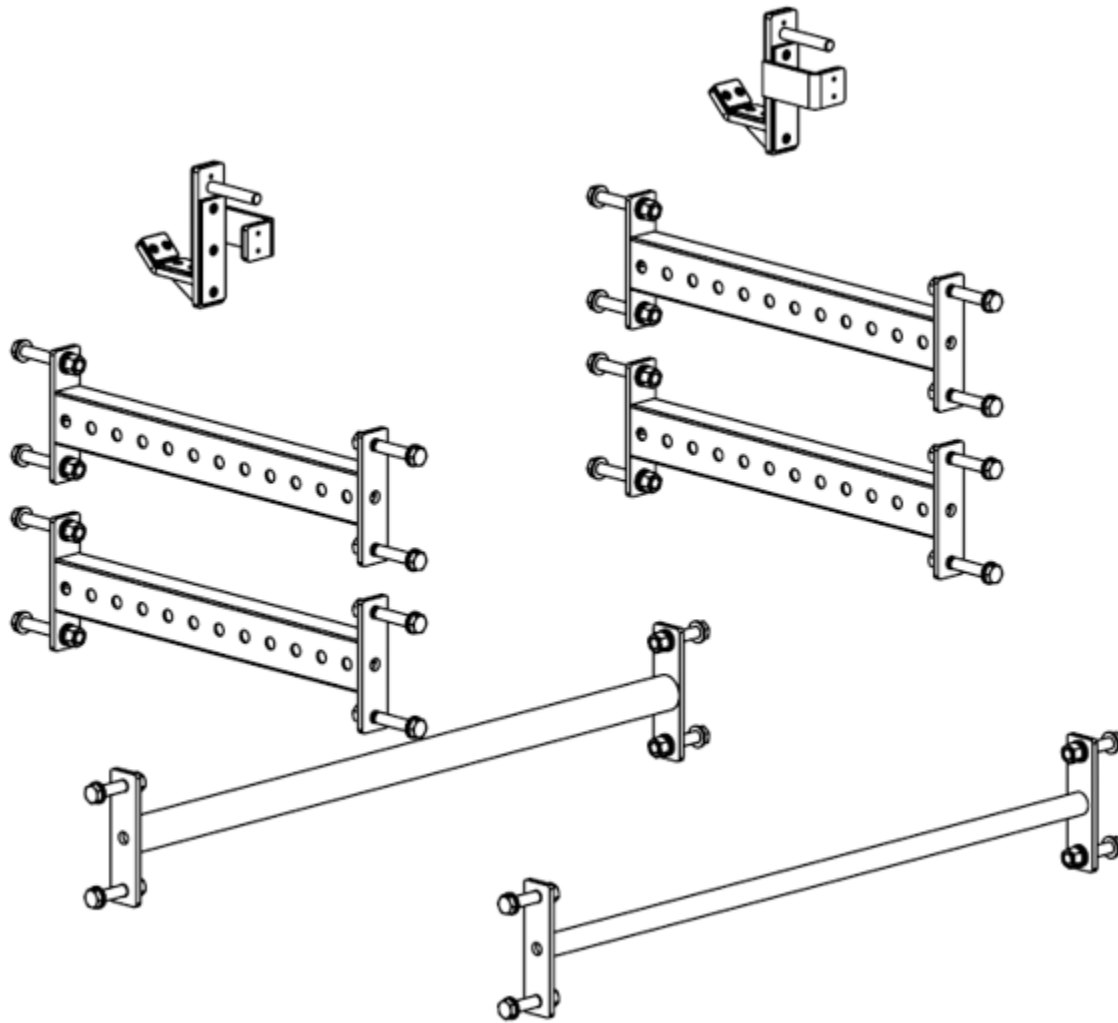
T3UP82 or T3UP91



KEY	BOX	DESCRIPTION	QTY
1	1	(2) Short T3 UPRIGHTS (T3UP82)	4
1	1	(2) Tall T3 UPRIGHTS (T3UP91)	4



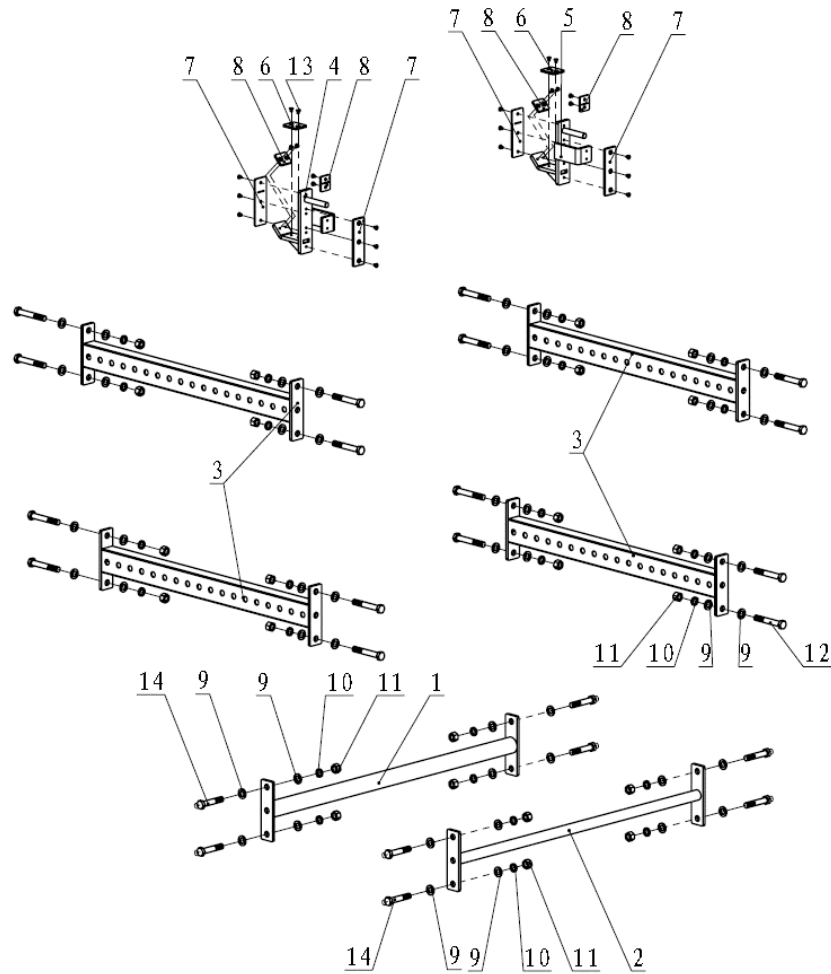
T3SB24 or T3SB36



KEY	BOX	DESCRIPTION	QTY
(1)	2	(24-IN) OR (36-IN) SIDE BRACES	4
(2)	2	RIGHT STANDARD J-HOOK	1
(3)	2	LEFT STANDARD J-HOOK	1
(4)	2	2-IN FAT PULL-UP BAR	1
(5)	2	1.25-IN STANDARD PULL-UP BAR	1



EXPLODED VIEW OF SIDE BRACE



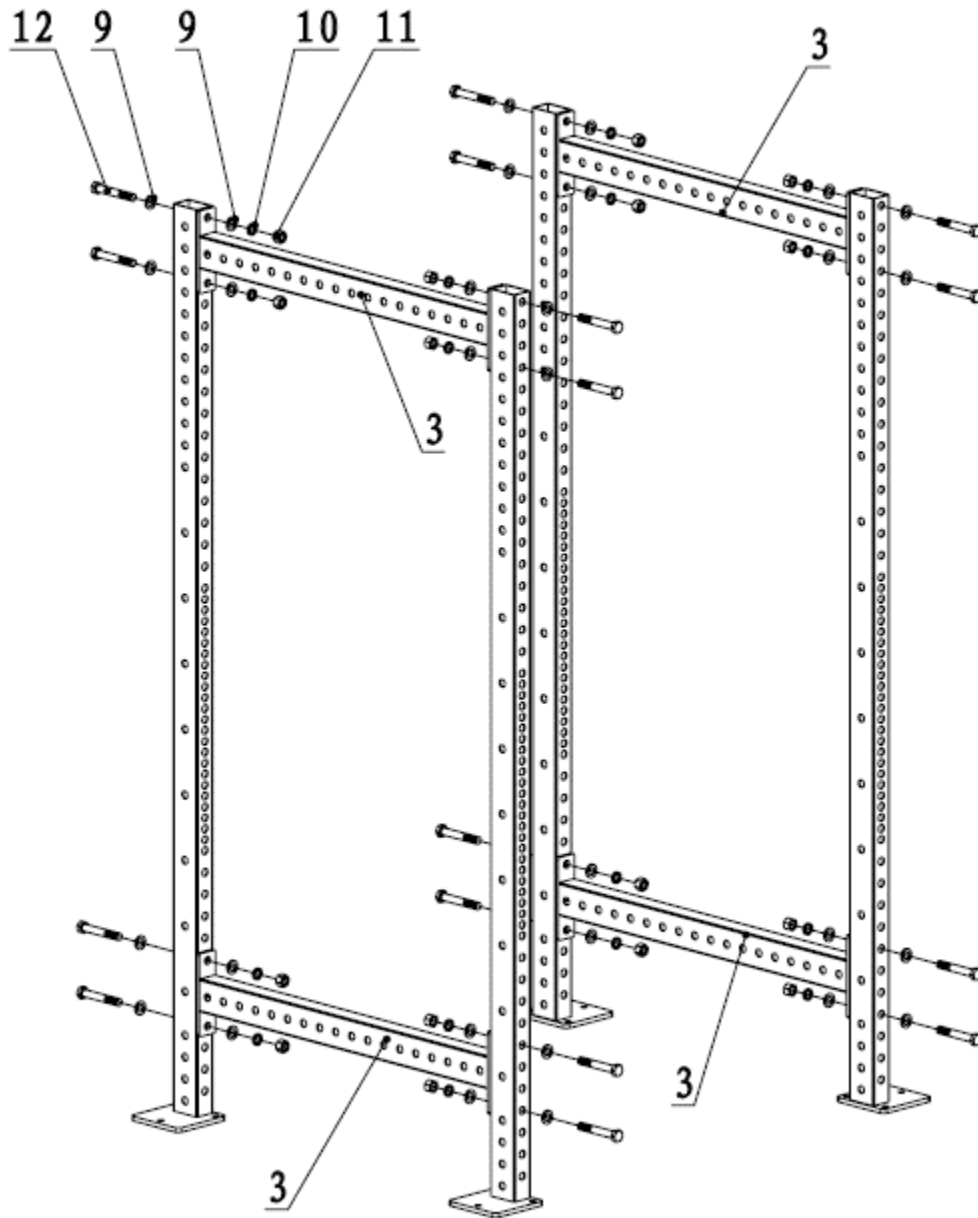
KEY	BOX	DESCRIPTION	QTY	KEY	BOX	DESCRIPTION	QTY
(1)	3	2-IN FAT PULL-UP BAR	1	(8)	3	FRONT PLASTIC PLATE 48*40*5	4
(2)	3	1.25-IN PULL-UP BAR	1	(9)	3	FLAT WASHER $\Phi 17*\Phi 30*3$	48
(3)	3	24' or 36' SIDE BRACES	4	(10)	3	SPRING WASHER $\Phi 16$	24
(4)	3	J-HOOK(L)	1	(11)	3	NUT M16	24
(5)	3	J-HOOK(R)	1	(12)	3	HEX BOLT M16*110	16
(6)	3	SHORT PLASTIC PLATE	2	(13)	3	COUNTERSUNK HEAD SCREW	24
(7)	3	LONG PLASTIC PLATE	4	(14)	3	HEX BOLT M16*85	8



ASSEMBLY INSTRUCTIONS

STEP 1

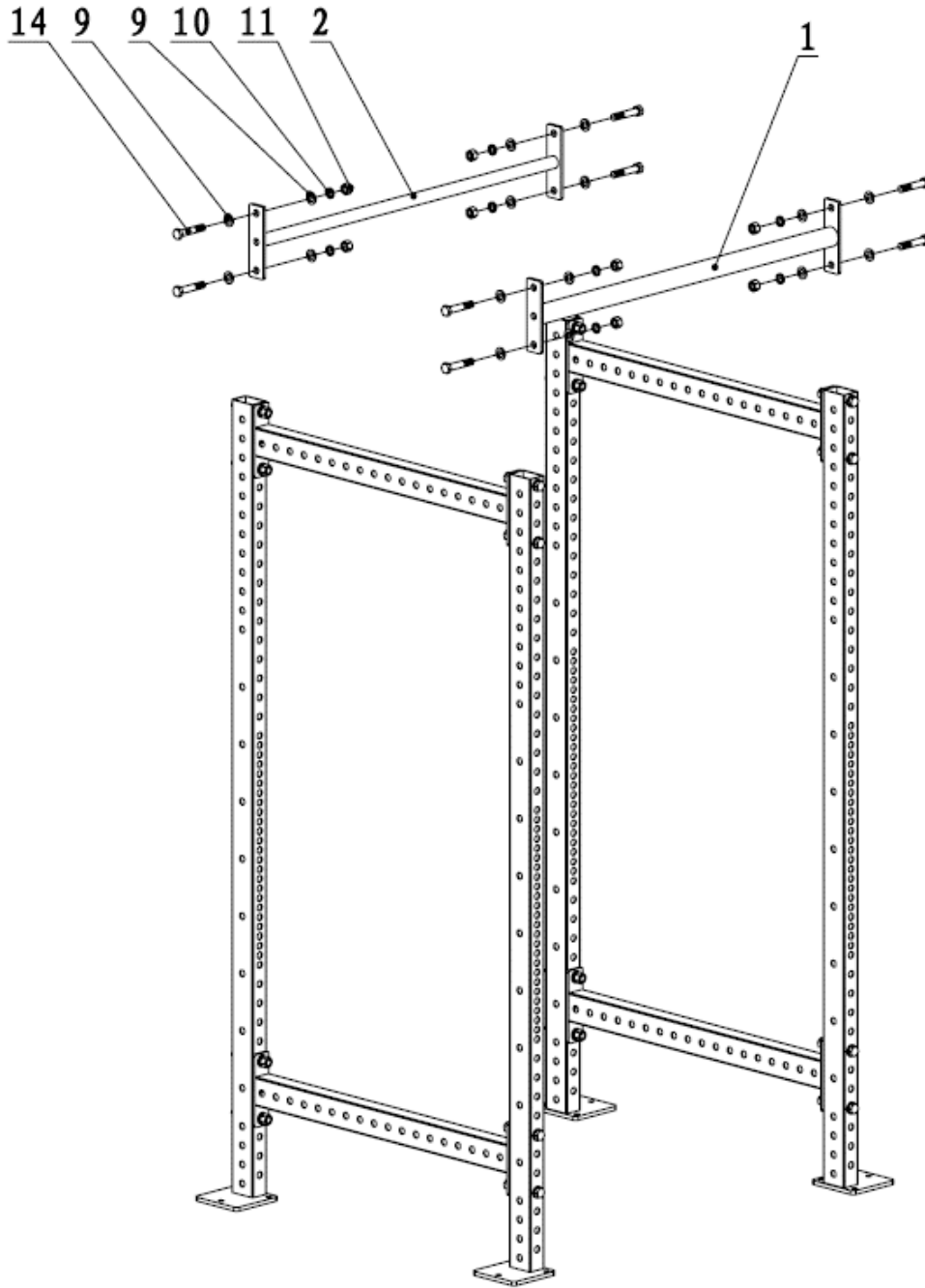
Connect the 4 Side Braces (3) to the Uprights, using Flat Washer $\Phi 17*\Phi 30*3$ (9), Spring Washer $\Phi 16$ (10), Nut M16 (11), and Hex Bolt M16*110 (12).



ASSEMBLY INSTRUCTIONS

STEP 2

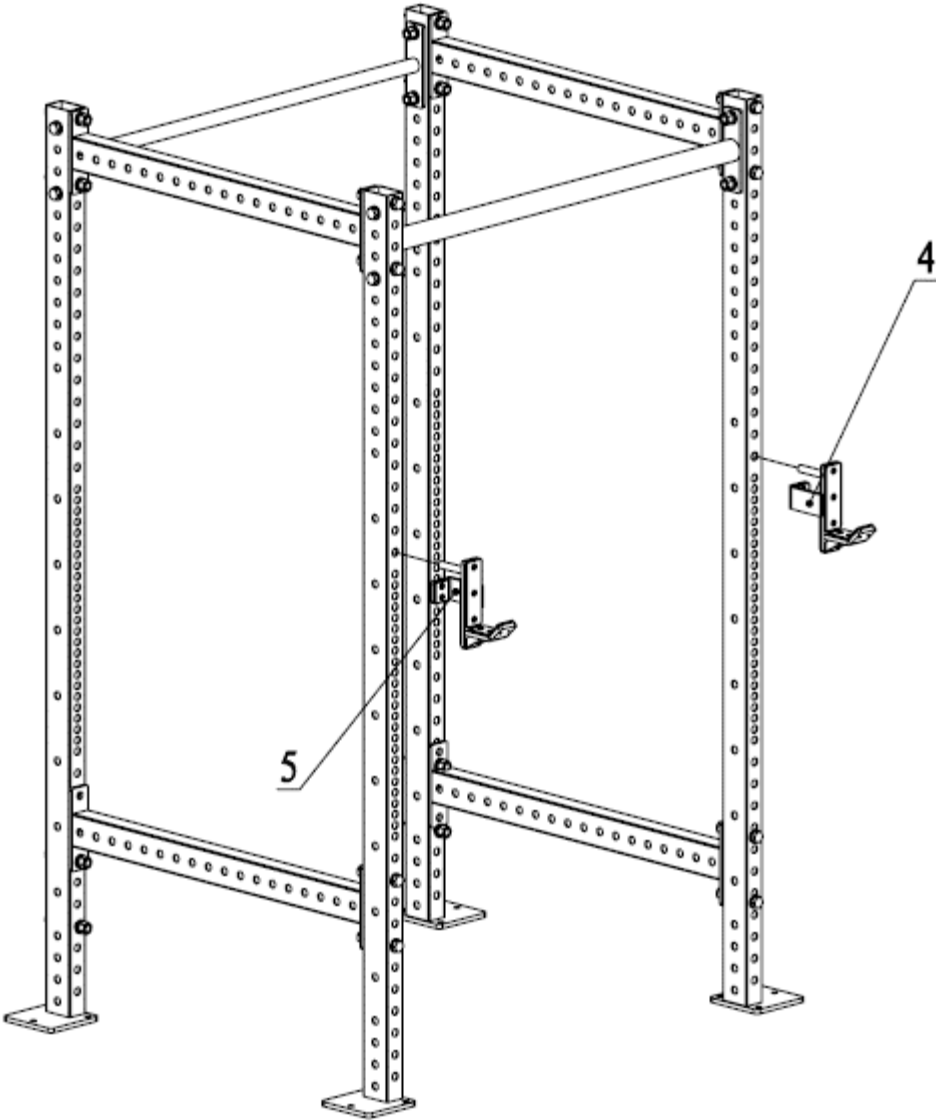
Connect the Rear 2" Fat Pull-Up Bar (1), 1.25" Pull-Up Bar (2) and Upright Frame, using Flat Washer $\Phi 17*\Phi 30*3$ (9), Spring Washer $\Phi 16$ (10), Nut M16(11), and Hex Bolt M16*85 (14).



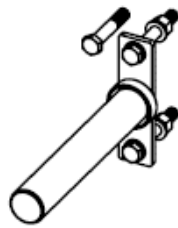
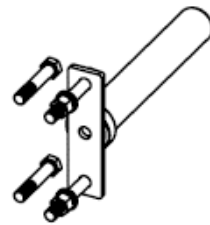
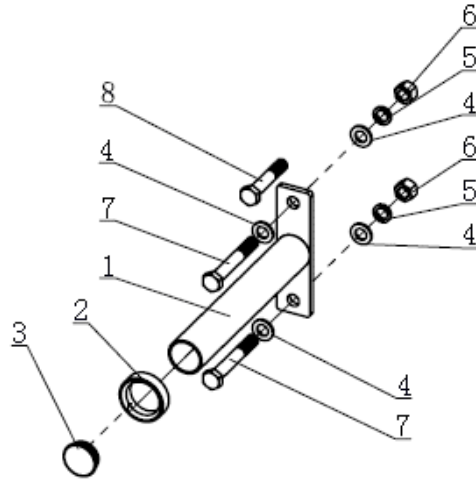
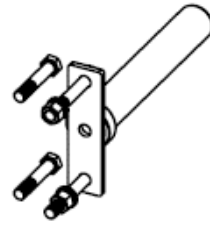
ASSEMBLY INSTRUCTIONS

STEP 3

Install the left and right J-HOOK (4 & 5) on the Upright Frame.



FWHOLD PARTS



KEY	BOX	DESCRIPTION	QTY	KEY	BOX	DESCRIPTION	QT
(1)	4	Weight Plate Holder	4	(5)	4	Spring Washer Φ16	8
(2)	4	Rubber Cushion	4	(6)	4	M16 Nut	8
(3)	4	Φ48 End Cap	4	(7)	4	Hex Bolt M16*110 (X3)	8
(4)	4	Flat Washer Φ17*Φ30*3	16	(8)	4	Hex Bolt M16*85 (T3)	8





This concludes the T3SERIESPOWERRACK

Owner's Manual.

*If applicable to your product, make sure to tighten
all nut-and-bolt combinations before use.*

Enjoy!

DISCLAIMER

This equipment must be used with care by capable and competent individuals under supervision, if necessary.

The use of any fitness equipment, including this one, involves the potential risk of injury. You accept and assume full responsibility for any and all injuries, damages (both economic and non-economic), and losses of any type, which may occur, and you fully and forever release and discharge Titan, its insurers, employees, officers, directors, associates, and agents from any and all claims, demands, damages, rights of action, or causes of action, present or future, whether the same be known or unknown, anticipated, or unanticipated, resulting from or arising out of the use of said equipment.

TITAN MAKES NO WARRANTY WHATSOEVER WITH RESPECT TO THE EQUIPMENT, INCLUDING ANY WARRANTY OF MERCHANTABILITY OR WARRANTY OF FITNESS FOR A PARTICULAR PURPOSE, WHETHER EXPRESS OR IMPLIED BY LAW, COURSE OF DEALING, COURSE OF PERFORMANCE, USAGE OF TRADE OR OTHERWISE. BUYER ASSUMES ALL LIABILITY IN USE OF THE EQUIPMENT.

NEED HELP?

CONTACT US FIRST.

1 (800) 605-8241

info@titandistributorsinc.com / www.titan.fitness

Business Hours: Monday–Friday • 8:00 a.m.–5:00 p.m. (CT)

