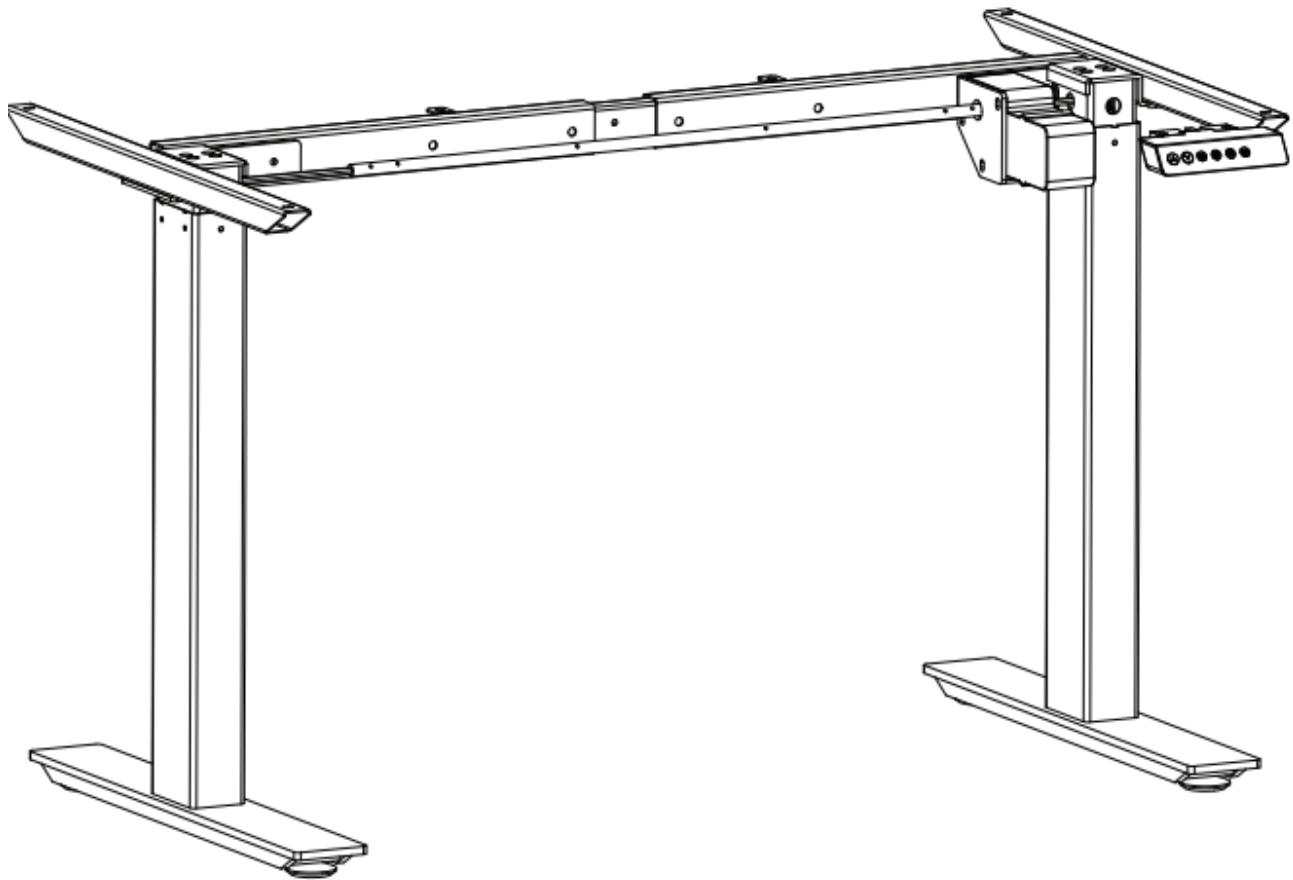




**TITAN**  
*FITNESS*



## OWNER'S MANUAL

---

**MPN(s): A2FRAME**

**SKU(s): 403021**

**UPC(s): 049008262324**

## A2 series parameter instruction

Electric Control Part:

Input Voltage:100-240V can be use

Output Voltage:24V DC 2.0A

Duty cycle:10%MAX 2min on 18 min off

Switch power supply,low energy consumption

Manual device can move and long press

Desk frame part:

built-in limit switch

Dynamic load:40KG

The maximum static load:80KG

Load speed:20mm/s

Lift range:680mm---1160mm

The length of the adjusting range:1100mm~1600mm

Other part:

Packing Size : 1080\*270\*325mm 1Set

Gross weight:37KG

Safety and warnings

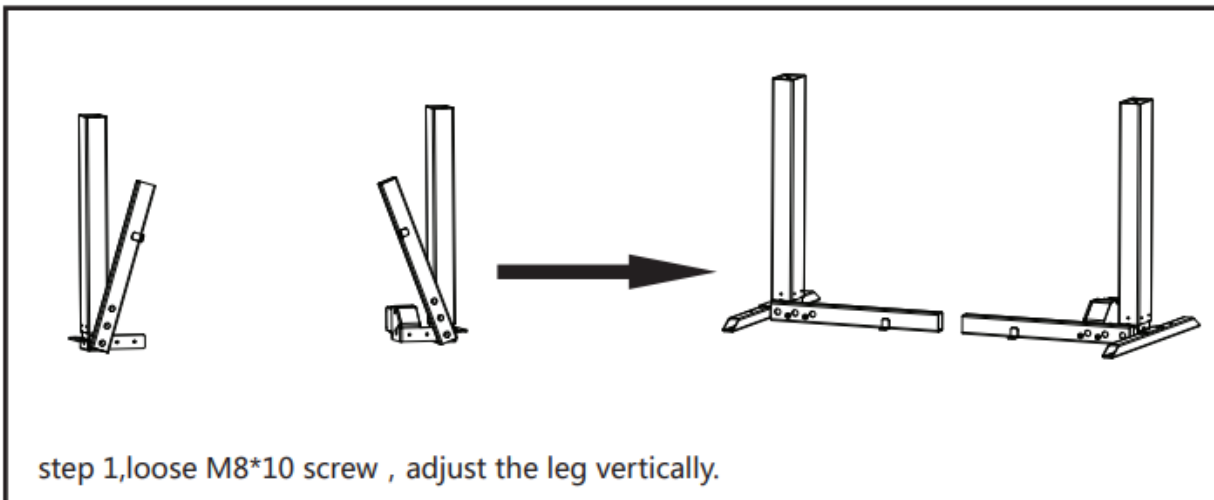
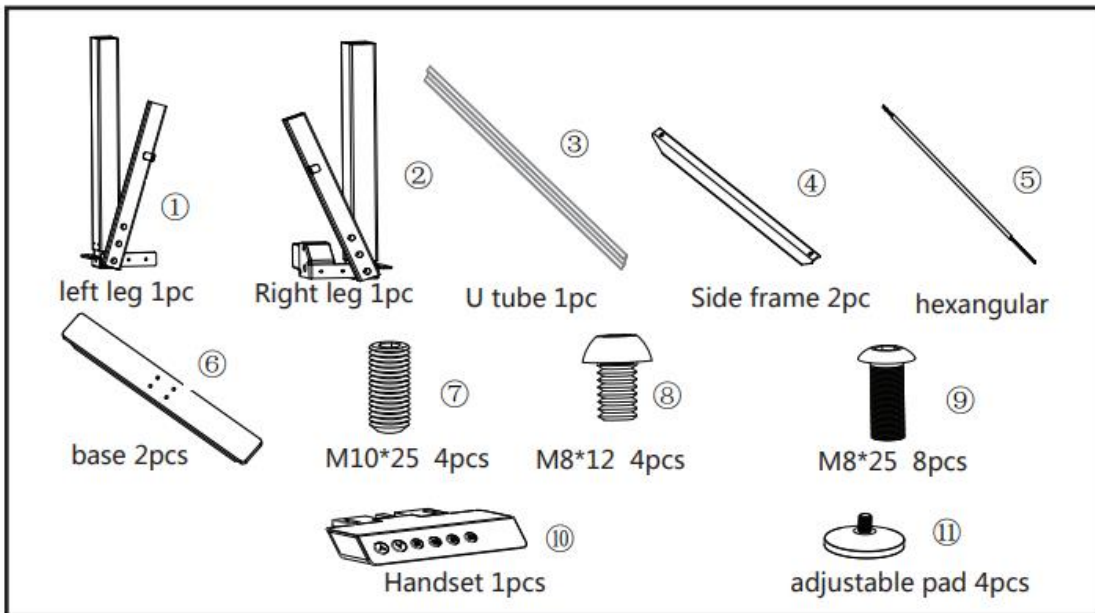
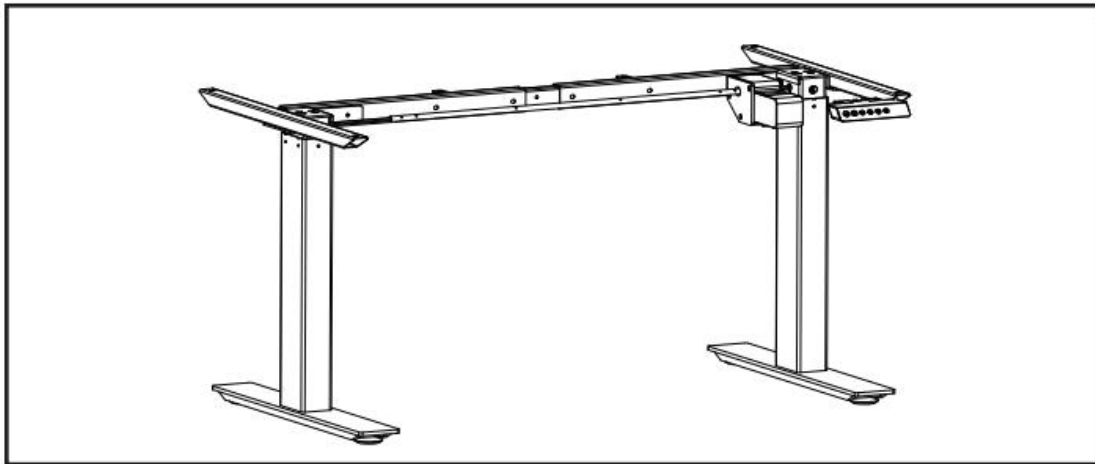
This appliance can be used by children aged from 8 years and above and persons with reduced physical, sensory or mental capabilities or lack of experience and knowledge if they have been given supervision or instruction concerning use of the appliance in a safe way and understand the hazards involved. Children shall not play with the appliance. Cleaning and user maintenance shall not be made by children without supervision.

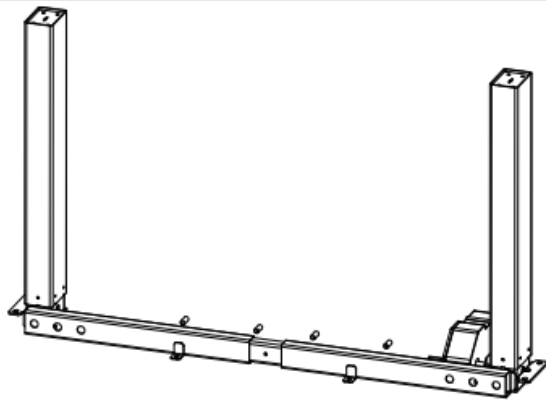
### Correct Disposal of this product



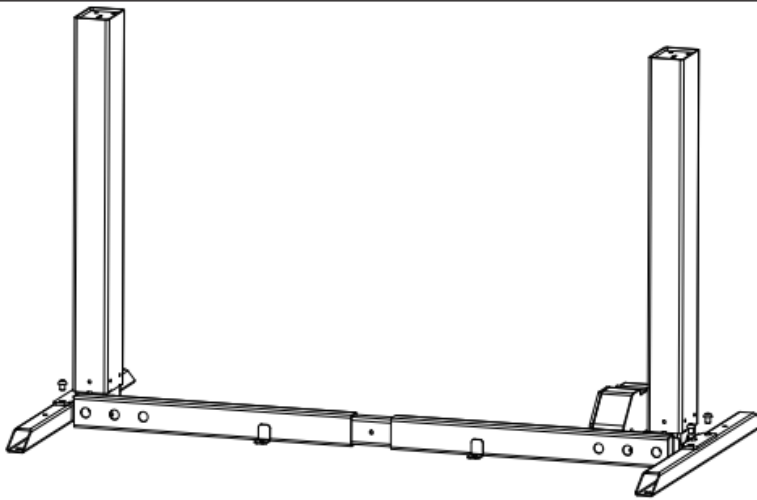
**This marking indicates that this product should not be disposed with other household wastes throughout the EU. To prevent possible harm to the environment or human health from uncontrolled waste disposal, recycle it responsibly to promote the sustainable reuse of material resources. To return your used device, please use the return and collection systems or contact the retailer where the product was purchased. They can take this product for environmental safe recycling.**

# ASSEMBLY INSTRUCTIONS

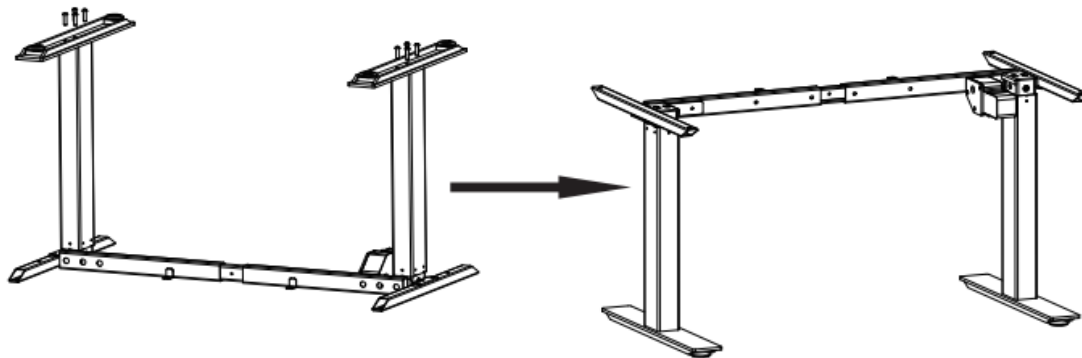




step 2,loose the screw M10X25 , then input "U" shape tube , adjust to the demand length.

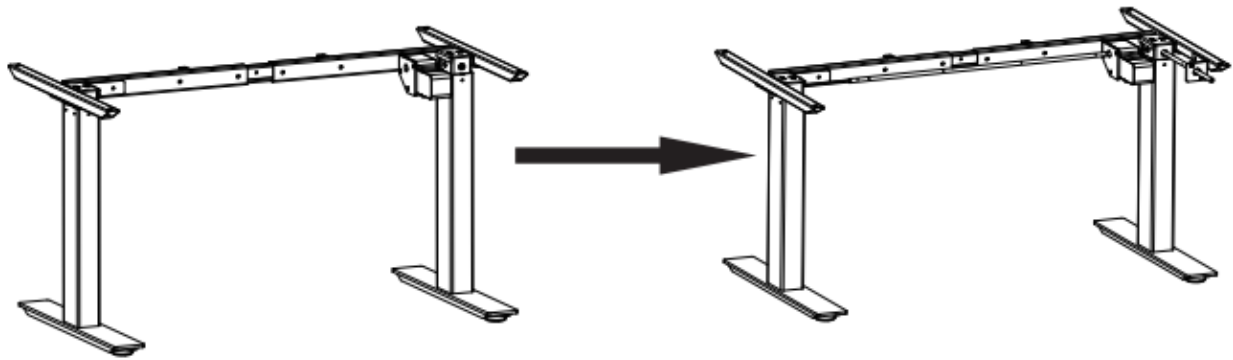


step 3,Install the side frame(as picture)

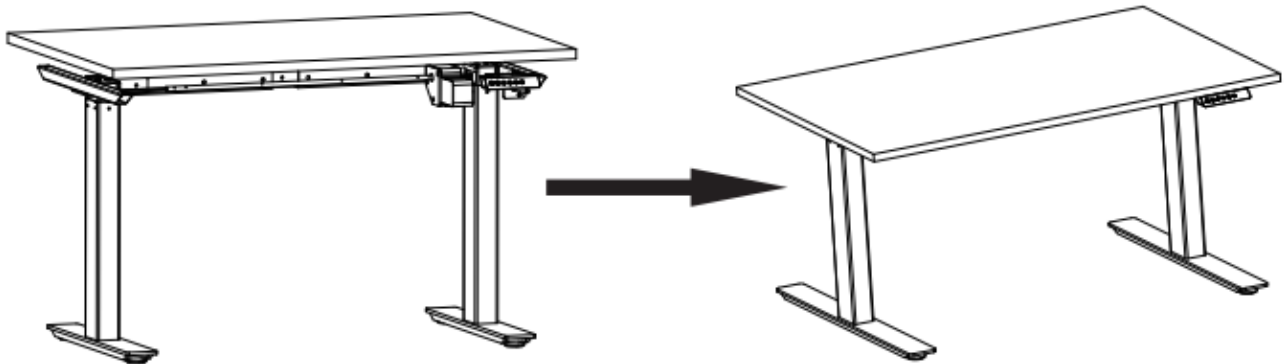


step 4, fasten the base on the legs with M8\*25 screws(8pc)(see picture)



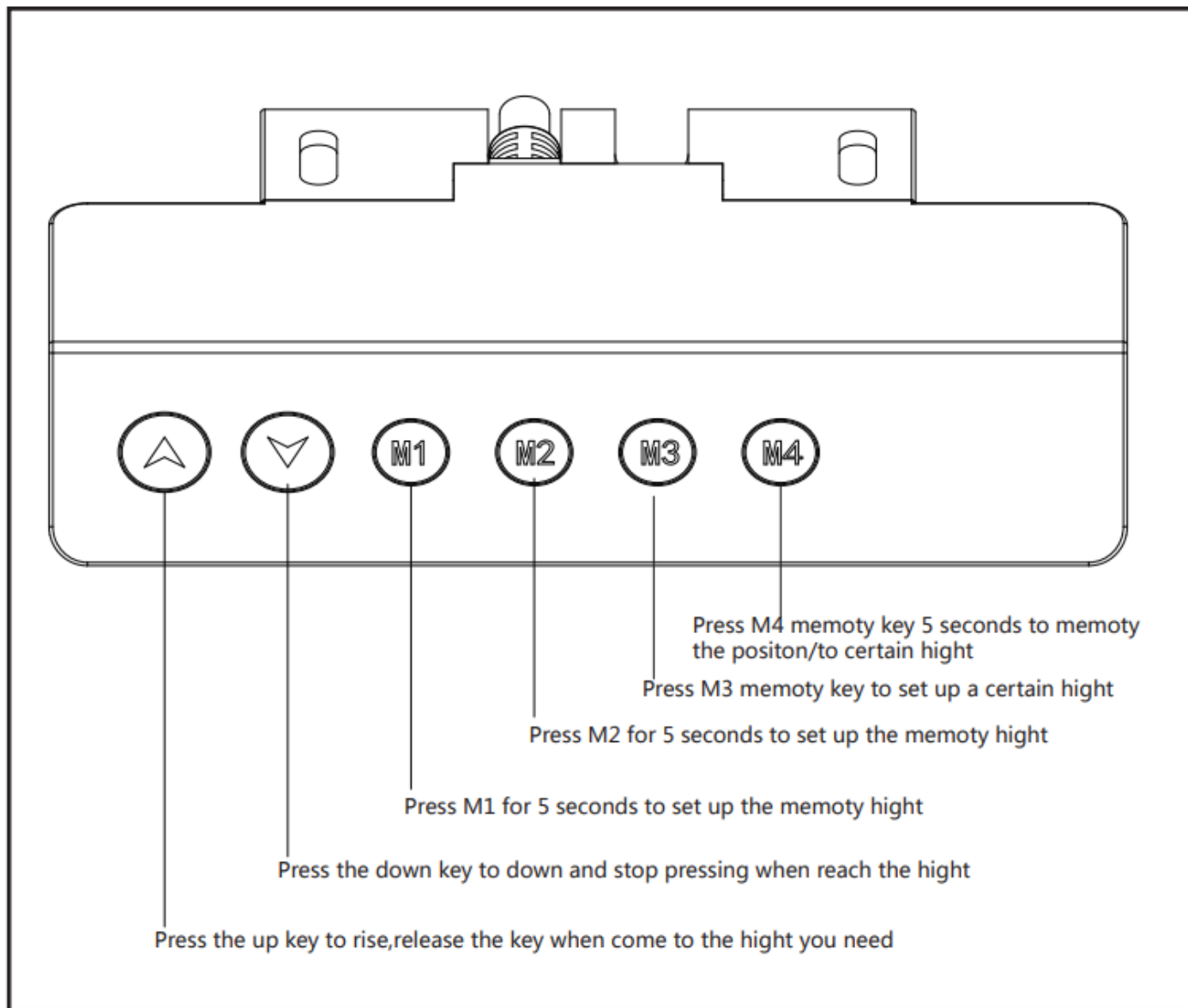


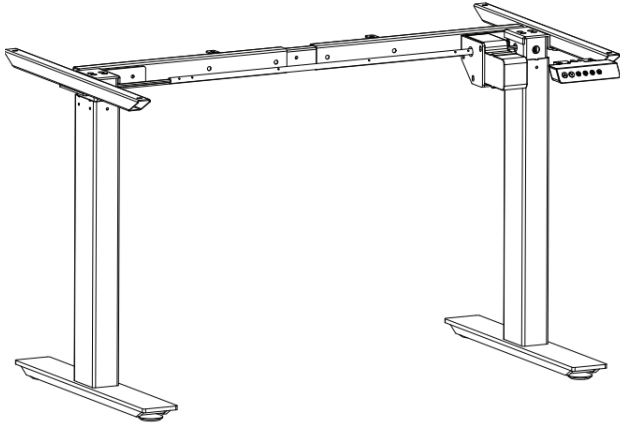
step 5, Adjust the hexagonal beam to the required length.



step 6, Install panel and Handset(as picture)

# Handset Instruction





*This concludes the A2FRAME Owner's Manual.*

*If applicable to your product, make sure to tighten all nut-and-bolt combinations before use.*

*Enjoy!*

### **DISCLAIMER**

This equipment must be used with care by capable and competent individuals under supervision, if necessary.

The use of any fitness equipment, including this one, involves the potential risk of injury. You accept and assume full responsibility for any and all injuries, damages (both economic and non-economic), and losses of any type, which may occur, and you fully and forever release and discharge Titan, its insurers, employees, officers, directors, associates, and agents from any and all claims, demands, damages, rights of action, or causes of action, present or future, whether the same be known or unknown, anticipated, or unanticipated, resulting from or arising out of the use of said equipment.

TITAN MAKES NO WARRANTY WHATSOEVER WITH RESPECT TO THE EQUIPMENT, INCLUDING ANY WARRANTY OF MERCHANTABILITY OR WARRANTY OF FITNESS FOR A PARTICULAR PURPOSE, WHETHER EXPRESS OR IMPLIED BY LAW, COURSE OF DEALING, COURSE OF PERFORMANCE, USAGE OF TRADE OR OTHERWISE. BUYER ASSUMES ALL LIABILITY IN USE OF THE EQUIPMENT.

**NEED HELP?**

**CONTACT US FIRST.**

**1 (800) 605-8241**

[info@titandistributorsinc.com](mailto:info@titandistributorsinc.com) / [www.titan.fitness](http://www.titan.fitness)

**Business Hours: Monday–Friday • 8:00 a.m.–5:00 p.m. (CT)**

